

# LMC TRUCK®

Your Catalog of Accessories & Parts for  
**Ford Explorer**

1991-05

2013 FALL EDITION

**FEX.24**



**Light'em If You Got'em**

Toll Free - All USA & Canada

**(800) LMC-TRUCK**  
(800) 562-8782

Follow Us On



Shop Online ... Fast, Simple & Safe

**www.LMCTRUCK.com**

Orders - Catalog Requests - Status

**Chrome - Brite Finish Grilles**



Explorer 1991-94

**Chrome - Brite Finish Grilles**  
 #50-9122 Explorer 91-94 \$59.95

**Billet Grille is Custom Style**



Explorer 1991-94

**Custom Style Billet Grille with 4MM Bars**  
 #50-5002 Explorer 91-94 \$139.95  
*Made from aluminum with black powder coat finish and highly polished face.*

**Chrome Grille Cover**



Explorer 1995-01

**Chrome Grille Cover**  
 #50-9090 Explorer 95-01 \$99.95  
*Will not fit 1995-98 Limited models.*

*No tools or cutting required for fast and easy installation.*

**All Chrome Replacement Grille**



Explorer 2002-05

**All Chrome Replacement Grille**  
 #50-9192 Explorer 02-05 \$99.95



**50-7194 Grille Emblem**  
 #50-7194 02-05 \$27.95

## New Product Index

Billet Horn Buttons, Black/Polished	60	Ignition Switch Socket	86-87
BOLT™ Key Coded Locks	55	Mud Guard Sets, "FORD"	50
Center Cap Set, Chrome	56	Steering Wheel, Leather	60
Custom Pedal Pad & Trim	30	Steering Wheel, Wood	60
Glove Box Lock Cylinder	29	Strip Caulk	32
Heater Blower Motor W/Fan	69	Wiring/Tubing Grommet Assortment	90
Hoop Steps	51		

## Enter To Win at LMCTRUCK.com or RTMTV.com

Sweepstakes Begins  
September 10th, 2013

Sweepstakes Ends  
December 16th, 2013

Winner Will Be Announced  
January 3rd, 2014  
on PowerBlock TV.

Visit [www.LMCTRUCK.com](http://www.LMCTRUCK.com)  
for more sweepstakes details,  
rules and regulations.



**Molding / Windows**  
Pages 7-9, 25

**Exterior Rubber / Door**  
Pages 10-15

**Bumpers**  
Pages 16-19, 40-41

**Body / Accessories**  
Pages 20-27, 44

**Interior**  
Pages 28-30, 59-65

**Engine / Sealants**  
Pages 31-34, 67

**Grilles / Emblems**  
Pages 7, 35-39, 44

**Mirrors / Handles**  
Pages 42-43, 59

**Custom Lighting**  
Pages 45-47

**Exterior Accessories**  
Pages 44, 48-55

**Wheels**  
Pages 56-57, 82

**Cooling & Heating**  
Pages 68-71

**Clutch / Fuel**  
Pages 72-73

**Steering / Suspension**  
Pages 74-79

**Brakes / Exhaust**  
Pages 80-81, 83-84

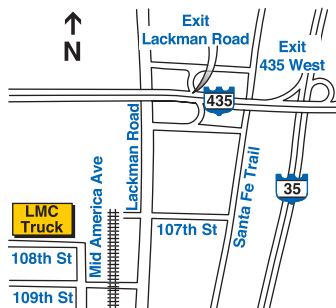
**Battery / Electrical**  
Pages 86-90, 95

**Stock Lighting**  
Pages 90-93

**Books / Order Policy**  
Pages 94, 96

### Kansas City Area 913-492-8756

Please stop by when you're in the area. We enjoy meeting our customers. If you do decide to stop by and you plan to pick up parts, please call ahead and we will have your order ready when you come by. We are located in Lenexa, Kansas.



15450 W. 108th Street  
Just Off I-435 & I-35 Interchange  
**City Counter Hours**

**M - F:** 9:00 a.m. - 7:00 p.m.  
**Saturday:** 9:00 a.m. - 6:00 p.m.  
**Sunday:** 9:00 a.m. - 4:00 p.m.

### Toll Free Ordering Hours USA & Canada



Orders • Catalog Requests  
Status • Customer Service

## (800) 562-8782

**Monday - Friday**  
7:00 a.m. to 11:00 p.m. Central  
**Saturday**  
8:00 a.m. to 6:00 p.m. Central  
**Sunday**  
9:00 a.m. to 6:00 p.m. Central

**(800) 541-8525 Fax**  
**International Orders**  
**1-913-541-0684**

**International Fax Orders**  
**1-913-599-0323**

**Shop Online 24/7**

**www.LMCTRUCK.com**

LMC TRUCK is in no way affiliated with the Ford Motor Company nor do we intend to imply that. The name Ford is used for reference only.

Applications listed in this catalog are based on original factory information. However, variances will occur due to non-documented substitutions, and changes made during the vehicle's production.

Long Motor Corporation © Copyright 2013  
Effective: November 5, 2013

FEX.24 Vol. 1, First Edition. This edition supersedes all previous publications, including prices. All rights are reserved. No part of this publication may be copied, reproduced, stored in any retrieval system, communicated or transmitted in any form or by any means: photocopying, electronic recording or otherwise, without prior written permission.



## Vehicle Identification Number

### Explorer 1991-94

#### Where to Find Your Vehicle Identification Number (VIN)

For the 1991-94 Explorer the VIN plate is visible through the driver's side of the windshield.

#### Vehicle Identification Number - 1FMDU34X1MUB04683

1	F	M	D	U	3	4	X	1	M	U	B	0	4	6	8	3
---	---	---	---	---	---	---	---	---	---	---	---	---	---	---	---	---

**Nation of Origin** \_\_\_\_\_  
 1 = USA 2 = Canada

**Manufacturer** \_\_\_\_\_  
 F = Ford Motor Company

**Type of Vehicle** \_\_\_\_\_  
 M = Multipurpose Vehicle

**Brakes/Gross Vehicle Weight\*** \_\_\_\_\_  
 B or U = 3,001-4,000 lbs  
 C or Y = 4,001-5,000 lbs  
 D or Z = 5,001-6,000 lbs  
 \*Due to varying options available  
 GVWR code was changed for certain model years.

**Model Line** \_\_\_\_\_  
 U = Explorer

**Chassis & Body Type** \_\_\_\_\_  
 22 = 2 Door 4x2  
 24 = 2 Door 4x4  
 32 = 4 Door 4x2  
 34 = 4 Door 4x4

**Engine Type** \_\_\_\_\_  
 X = 4.0 Liter 242 CID V6

**Check Digit** \_\_\_\_\_  
 (Internal Usage)

**Model Year** \_\_\_\_\_  
 M = 1991  
 N = 1992  
 P = 1993  
 R = 1994

**Assembly Plant** \_\_\_\_\_  
 U = Louisville, Kentucky  
 Z = St. Louis, Missouri

**Numerical Sequence of Assembly** \_\_\_\_\_  
 Constant "A" until sequence number of 99,999 is reached, then changes to constant "B" and so on.

LED Hitch Light	54	Order Form	98
LED Third Brake Light	47	Order Policy	96
License Frame, Chrome, Lighted	52	Outside Door Handle Sets, Chrome	14-15, 43
License Lamp Components	18, 93	Overdrive Shift Button	87
License Plate Bolt Set, LED	46	Oxygen Sensor	73
License Plate Brackets	16-17, 19		
Lift Kit, Body	27	<b>P</b>	
Liftgate Bumper	10-11, 24	Paint Protection Film	49
Liftgate Emblems & Trim	24, 44	Panel & Trim Removal Tool Set	21
Liftgate Handle Assemblies	24-25	Park Brake Components	30, 80-81
Liftgate Lamp Assembly	92	Park Brake Spreader Bar	80
Liftgate Latch Components	24	Parking Brake Cable Repair Kit	81
Liftgate Struts	24-25	Parklights	45-46, 91
Liftgate Weatherstrip	10-11, 24	Pedal Pad & Trim, Custom	30
Lighter, Cigarette	28-29	Pedal Pads	30, 81
Locking Hubs	85	Performance Exhaust	83
Locks, BOLT Key Coded	55	Performance Suspension	77
Louver Panel Sets, Hood	49	Pinion Flange Kit	85
Lug Nuts	57, 82	Pitman Arm Puller	74
		Pitman Arm, Power	75
<b>M</b>		Polishing Kit, Deluxe	20
Manuals	94	Polyurethane Bushings	76
Master Cylinder, Brake	81	Ported Vacuum Switches	34
Mirror Switches	13, 86-87	Power Steering Components	75
Mirror, Blind Spot, Adjustable	42	Power Steering Filters, In-Line	74
Mirrors	42, 59	Power Window Kit	59
Molded Carpet Sets	63	Power Window Motors	12-15
Molding, Body Side	7	Power Window Switches	13, 86-87
Molding, Fender Trim	7, 51		
Mud Guard Sets, FORD	50	<b>R</b>	
Mufflers, Turbo	84	Rack & Pinion Boot	75
		Radiator Components	22-23, 27, 70
Oil Drain Valves, EZ	67	Radiator Drain Tap	70
Oil Filler Caps	67	Radiator Support	22-23, 70
Oil Pan Drain Plug	67	Radiators	70
Oil Pan Snap-Ups	67	Radius Arms	78
Oil Pressure Switches	67, 87	Rear Axle Shafts	82
Oil Pumps	67	Rear Bumper Step Pads	16, 18
		Rear Bumpers & Components	16, 18-19, 40-41

## Explorer Key Information

- 1991:** The 1991 Explorer replaced the Bronco II as the Ford midsize SUV. The front end was similar to the Ranger STX. The vehicle came in two or four doors and was larger than the Bronco II. Trim lines included the XL, XLT and the Eddie Bauer Edition. The only engine available was the 4.0 Liter V6. The Explorer offered optional 4WD or automatic overdrive transmission. A Twin I-Beam front suspension was standard on 2WD models and the Twin Traction front axle came with 4WD models.
- 1992:** The Explorer had proven to become the best selling SUV in the U.S. giving Ford no reason to make any changes this year.
- 1993:** In 1993 a fully loaded Limited Edition was offered along with the original XL, XLT and Eddie Bauer trim levels. Four wheel ABS became standard on all Explorers.
- 1994:** With the continued success as being the most popular SUV in the U.S. there were no reasons to make any significant changes this year.

Rear Differential Cover, Chrome	85	<b>T</b>	
Rear View Mirrors	59	Tail Light Cover Sets	53
Rear Window Glass	9, 25	Tail Light Sets, Custom	47
Regulators W/Motors, Door	15	Tail Lights & Components	47, 53, 93
Relays & Flashers	46, 86	Thermostat, Adjustable	69
Remote Starter Switch	31	Thermostats	69, 71
Repair Manuals	94	Third Brake Lights	47, 92
Ring Gear	34	Threadlocker, LOCTITE	32
Rocker Panels, Steel	22-23	Threshold Protection Film	49
Rocker Trim, Chrome/Stainless	50	Throttle Body Motor	73
Roller, Sound Control Mat	62	Tie Rod Ends, Inner/Outer	75
Roof Rack Components	20	Tire Valve Stem Cap Sets	56
RTV Red, LOCTITE	32	Tow Hook, Chrome	52
Rubber Parts, Exterior	8, 10-11, 25	Transfer Case Motors	72
Running Boards, Aluminum	50	Transmission Mounts	34
		Transmission Pans, OE	72
<b>S</b>		Transmission Range Sensor	72
Sealants & Adhesives	10-11, 32	Trim Ring Sets, Stainless Steel	56
Seat Belts	65	Truck Cover Lock Kit	55
Seat Heater Kits	30	Truck Covers	55
Sending Unit Gasket Kit	73	Truck Dolly Set, Heavy-Duty	82
Sending Unit, Fuel	73	T-shirts	66
Shackle Set	78-79	Tube Grille Overlay, Stainless	37
Sheet Steel	21	Turbo Mufflers, HEDMAN	84
Shelf-It Organizer	30	Turn Signal/Wiper Switches	74, 86-87
Shift Repair Kit	30		
Shift Tube Kit	74	<b>U</b>	
Shiftdown Actuator, Steering Column	74, 87	Underhood Lights	92
Shims, Body Panel Alignment	21	Underhood Paint, Black	58
Shirts	66	Universal Joints	85
Shock Absorbers	77-79	Universal Windshield Washer Kit	90
Side Molding, Body	7		
Side Window Deflector Sets	53	<b>V</b>	
Sidemarkers	92	Vacuum Switches, Ported	34
Socket, Heater Switch W/AC	69	Vapor Canister	68
Sound Control Mat	62	Vehicle Identification	5
Sound Control Mat Roller	62	Voltage Regulator	88
Spare Tire Components	21, 48		
Spare Tire Cover	48	<b>W</b>	
Spark Plug Boot Sleeve Set	84	Water Pump Fan & Motor	71
Spark Plug Wire Retainers	88	Water Pump Pulleys	71
Speed Sensors	29	Weatherstrip, Door	10-11, 13, 15
Speedometer Cable Components	29	Wheel Bearings, Front/Rear	82
Split Braid Flex Looms	68	Wheel Center Caps	56-57
Spot Weld Cutter	21	Wheel Covers, Chrome	56
Starter Repair Kit	88	Wheel Hubs, Locking	85
Starter Solenoid	88	Wheel Locks, Chrome	56
Starters, Remanufactured	88	Wheel Studs	82
Steel Body Panels	22-23, 25	Wheels	57
Steering Column Components	74	Window Deflector Sets, Side	53
Steering Controls	75	Window Film Kit, Double Black	11
Steering Gear	74	Window Glass, Body Side	8-9
Steering Wheel Puller	75	Window Glass, Rear	9, 25
Steering Wheels	60	Window Handle	12-13
Step Bars, Stainless/Black	51	Window Regulators, Power/Manual	13-15
Step Bumpers	16, 18, 40-41	Window Seals, Door	12-15
Stone Deflector	22	Window Switches	13, 86-87
Stop Lamp Switch Socket	86-87	Window Visor Sets, In-Channel	53
Stop Lamp Switches	86-87	Window Weatherstrip	8, 10-11, 25
Strip Caulk	32	Windshield Glass	8-9
Struts, Liftgate/Window/Hood	24-26	Windshield Molding, Upper & Side	9
Subwoofer, Powered	60	Windshield Removal Tool	8
Sunroof Glass, Deep Tint	8	Windshield Washer Kit, Heated	88
Suspension, Front/Rear	76-79	Windshield Washer Kit, Universal	90
Sway Bar Bushings	76-77	Windshield Washer Pumps	89
Sway Bars, Front/Rear	77	Windshield Wiper Components	89
Switch-Ball Set & Accessories	54	Wiper Arm Tool	89
Switches	13, 24, 29, 31, 34, 67, 69, 71, 74, 86-90, 95	Wiper Arms/Blades	89
		Wiper Delay Switch	90
		Wiper/Turn Signal Switches	74, 86-87
		Wood Steering Wheel	60
		Workshop Manuals	94

## Vehicle ID Number (VIN)

The VIN plate is mounted on the driver's side of the instrument panel and is visible through the windshield.

**Explorer 1995-05**    1    F    M    Z    U32    E    X    1    B    A73996

### World Mfr. Identifier

1 = USA  
2 = Canada  
3 = Mexico

### Manufacturer

F = Ford Motor Company

### Vehicle Type

M = Multipurpose Vehicle (MPV)

### GVWR Code\*

B or U = 3,001-4,000lbs  
C or Y = 4,001-5,000lbs  
D or Z = 5,001-6,000lbs  
E or R = 6,001-7,000lbs  
F or P = 7,001-8,000lbs

\*Due to varying options available GVWR code was changed for certain models years.

### Series Code

#### 1995-99 Models

U22 = 2WD Explorer 2 Door  
U24 = 4WD Explorer 2 Door  
U32 = 2WD Explorer 4 Door  
U34 = 4WD Explorer 4 Door  
U35 = AWD Explorer 4 Door

#### 2000-05 Models

U60 = 2WD Explorer 2 Door  
U70 = 4WD Explorer 2 Door  
U61 = 2WD Explorer XL 4 Door  
U71 = 4WD Explorer XL 4 Door  
U62 = 2WD Explorer XLS 4 Door  
U72 = 4WD Explorer XLS 4 Door  
U63 = 2WD Explorer XLT 4 Door  
U73 = 4WD Explorer XLT 4 Door  
U83 = AWD Explorer XLT 4 Door  
U64 = 2WD Explorer Eddie Bauer  
U74 = 4WD Explorer Eddie Bauer  
U84 = AWD Explorer Eddie Bauer  
U65 = 2WD Explorer Limited  
U75 = 4WD Explorer Limited  
U85 = AWD Explorer Limited

### Engine Code

1995	1997-00	2001
X = 4.0L OHV V6	X = 4.0L OHV V6	E = 4.0L SOHC V6
	E = 4.0L SOHC V6	P = 5.0L OHV V8
<b>1996</b>	<b>2002-05</b>	
X = 4.0L OHV V6	P = 5.0L OHV V8	E = 4.0L SOHC V6
P = 5.0L OHV V8		K = 4.0L SOHC V6
		W = 4.6L SOHC V8

### Check Digit (internal usage)

### Model Year Code

S = 1995	X = 1999	3 = 2003
T = 1996	Y = 2000	4 = 2004
V = 1997	1 = 2001	5 = 2005
W = 1998	2 = 2002	

### Assembly Plant

B = Oakville, Ontario-Canada	J = Monterrey, Mexico	S = Allen Park
C = Ontario-Canada	K = Kansas City	T = Edison
D = Ohio	L = Michigan	U = Louisville
E = Kentucky	M = Cuautitlan, Mexico	V = Valencia
H = Lorain	N = Norfolk	Z = St. Louis
I = Ipiranga	P = Twin Cities	

### Numerical Sequence of Assembly

## Abbreviations

To help make your ordering easier, here is a list of the terms and abbreviations used throughout this catalog.

-T Ships Truck Freight  
-Z Reman - With Core Charge

**1PC** 1 Piece

**2PC** 2 Piece

**2WD** 2 Wheel Drive

**4WD** 4 Wheel Drive

**4DR** 4 Door

**6PC** 6 Piece

**A/C OR AC** Air Conditioning

**A/R** As Required

**ASSY** Assembly

**AT** Automatic Transmission

**BLK** Black

**CLR** Clear

**DK** Dark

**EXPL** Explorer

**FRT** Front

**GAL** Gallon

**GVW** Gross Vehicle Weight Rating

**HD** Heavy Duty

**LH** Left Hand (Driver)

**LT** Light

**LWR** Lower

**MT** Manual Transmission

**OZ** Ounce

**PWR** Power

**REPRO** Reproduction

**REQD** Required

**RH** Right Hand (Passenger)

**RR** Rear

**SET** Complete Truck Set

**SS** Stainless Steel

**STD** Standard

**SYS** System

**TRANS** Transmission

**UPR** Upper

**VERT** Vertical

**W/** With

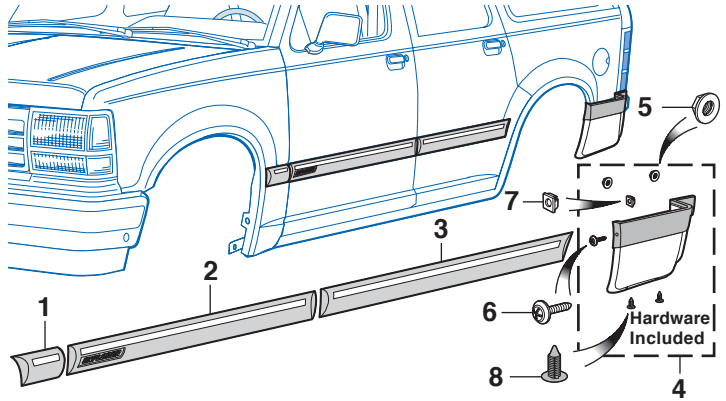
**W/O** Without

# LMC TRUCK®

## Body Side Molding

Explorer 1991-94

PART	ILL#	DESCRIPTION AND APPLICATION	REQD	LIST	SELL
50-9250	(1)	FENDER MOLDING-LH "A" EXPLORER	91-94 (1)	93.69	74.95
50-9251		FENDER MOLDING-RH "A" EXPLORER	91-94 (1)	74.94	59.95
50-9254	(2)	FRONT DOOR MOLDING-LH "A" 4 DOOR	91-94 (1)	218.69	174.95
50-9256	(3)	REAR DOOR MOLDING-LH "A" 4 DOOR	91-94 (1)	174.94	139.95
50-9259	(4)	QUARTER PANEL MOLDING-RH EXPLORER	91-94 (1)	249.94	199.95
40-0802	(5)	NUT-UPPER MOLDING EXPLORER	91-94 (4)	.56	.45
40-0453	(6)	SCREW-UPPER MOLDING EXPLORER	91-94 (2)	.63	.50
40-0830	(7)	NUT-SCREW EXPLORER	91-94 (2)	.44	.35
50-1519	(8)	RETAINER-LOWER MOLDING EXPLORER	91-94 (4)	1.19	.95



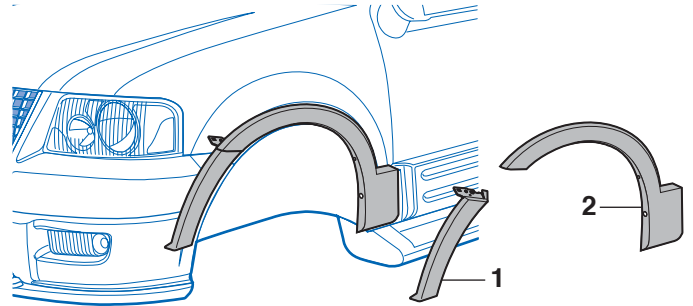
Note: "A" Paint to match.

## Front Fender Molding

Explorer 2002-05

PART	ILL#	DESCRIPTION AND APPLICATION	REQD	LIST	SELL
50-9330	(1)	FRT MOLDING-LH PAINTABLE"A" EXPLORER	02-05 (1)	62.44	49.95
50-9331		FRT MOLDING-RH PAINTABLE"A" EXPLORER	02-05 (1)	62.44	49.95
50-9330-BG		FRT MOLDING-LH BEIGE "A" EXPLORER	02 (1)	62.44	49.95
50-9331-BG		FRT MOLDING-RH BEIGE "A" EXPLORER	02 (1)	62.44	49.95
50-9330-GR		FRT MOLDING-LH GRAY "A" EXPLORER	02 (1)	62.44	49.95
50-9331-GR		FRT MOLDING-RH GRAY "A" EXPLORER	02 (1)	62.44	49.95
50-9334	(2)	UPR MOLDING-LH PAINTABLE"A" EXPLORER	02-05 (1)	87.44	69.95
50-9335		UPR MOLDING-RH PAINTABLE"A" EXPLORER	02-05 (1)	87.44	69.95

Note: "A" Will not fit XLS models.

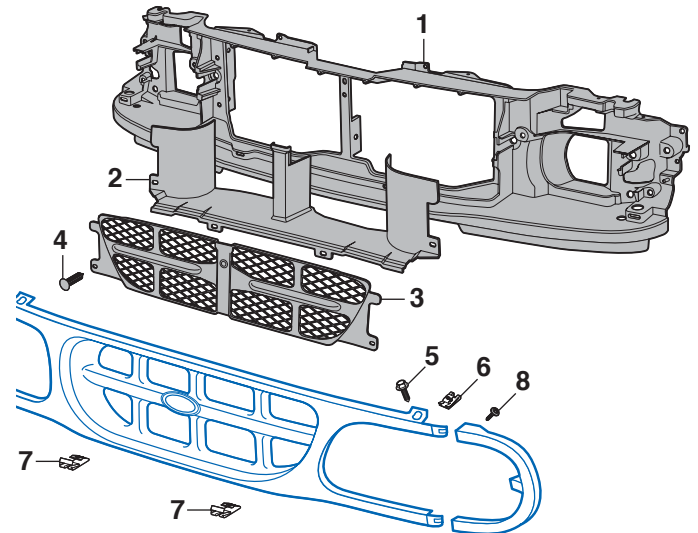


## Grille Components

Explorer 1995-01

\*After the sell price means Oversize Part Charge. Your order will incur a charge of \$20.00 for each oversized part. Additional delivery time required.

PART	ILL#	DESCRIPTION AND APPLICATION	REQD	LIST	SELL
50-9195	(1)	GRILLE REINFORCEMENT PANEL EXPLORER	95-96 (1)	99.94	79.95 *
50-9196		GRILLE REINFORCEMENT PANEL EXPLORER	97-01 (1)	124.94	99.95 *
50-9035	(2)	BAFFLE EXPLORER	95 (1)	49.94	39.95
50-9036		BAFFLE EXPLORER	96-97 (1)	49.94	39.95
50-9038	(3)	MESH INSERT EXPLORER	98-01 (1)	49.94	39.95
40-1373	(4)	RETAINER-INSERT EXPLORER	95-01 (7)	1.19	.95
50-0309	(5)	SCREW-GRILLE EXPLORER	95-01 (6)	.81	.65
40-0796	(6)	NUT-GRILLE EXPLORER	95-01 (6)	.56	.45
50-0543	(7)	CLIP-GRILLE EXPLORER	95-01 (4)	1.19	.95
50-0308	(8)	SCREW-HEADLIGHT TRIM EXPLORER	95-01 (8)	.50	.40

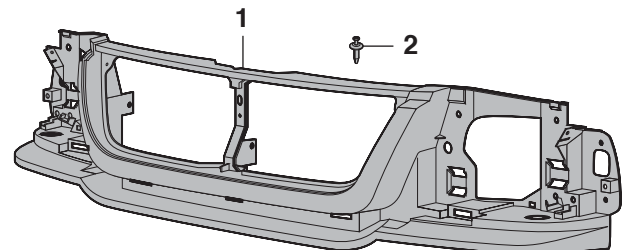


## Grille Components

Explorer 2002-05

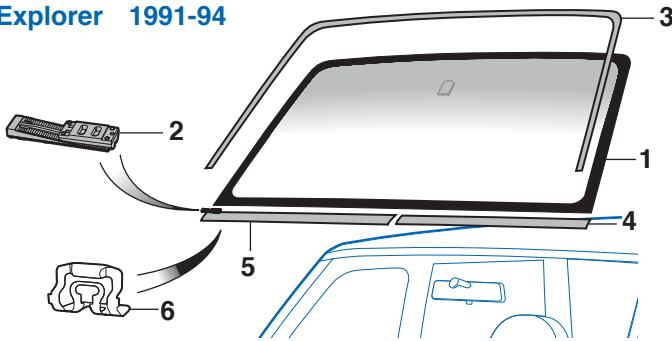
\*After the sell price means Oversize Part Charge. Your order will incur a charge of \$20.00 for each oversized part. Additional delivery time required.

PART	ILL#	DESCRIPTION AND APPLICATION	REQD	LIST	SELL
50-9197	(1)	GRILLE REINFORCEMENT PANEL EXPLORER	02-05 (1)	124.94	99.95 *
40-1394	(2)	RETAINER-GRILLE EXPLORER	02-05 (4)	1.19	.95



**Windshield and Components**

Explorer 1991-94



**All Molding Includes Hardware for Installation**

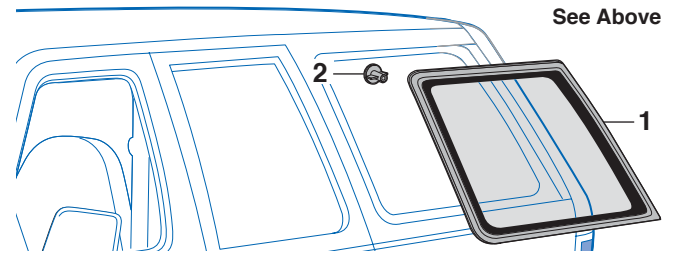
These windshields are attached with urethane adhesive. Professional installation is required. Contact your local glass installer for installation.

-T after a part number means that part must be shipped Truck Freight. The prepaid order will include a \$125.00 charge for delivery in the 48 contiguous United States. Orders outside of the 48 states will be quoted. Additional delivery time required.

PART	ILL#	DESCRIPTION AND APPLICATION	REQD	LIST	SELL
50-9404-T	(1)	WINDSHIELD-SHADED	EXPLORER 91-94 (1)	187.44	149.95
40-1679	(2)	SETTING BLOCK-ADJUSTABLE	EXPLORER 91-94 A/R	6.19	4.95
50-9211	(3)	UPPER & SIDE MOLDING	EXPLORER 91-94 (1)	62.44	49.95
50-9212	(4)	LOWER MOLDING-LH	EXPLORER 91-94 (1)	99.94	79.95
50-9213	(5)	LOWER MOLDING-RH	EXPLORER 91-94 (1)	99.94	79.95
50-0821	(6)	MOLDING RETAINER	EXPLORER 91-94 A/R	1.19	.95
42-0809		SILICONE SEALANT WINDSHIELD & GLASS 1.5 OZ TUBE	EXPLORER (1)	7.44	5.95
42-0860		WINDSHIELD STICK	EXPLORER (1)	2.44	1.95

**Fixed Body Side Window**

Explorer 1991-94



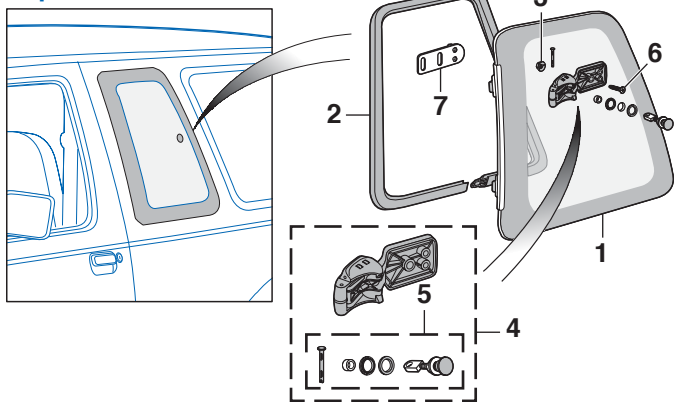
The body side window on 1991-94 Ford Explorers is attached with urethane adhesive. Professional installation is required. Contact your local glass installer for installation.

\*After the sell price means Oversize Part Charge. Your order will incur a charge of \$20.00 for each oversized part. Additional delivery time required.

PART	ILL#	DESCRIPTION AND APPLICATION	REQD	LIST	SELL
50-7372	(1)	BODY SIDE WINDOW-LH 2 DOOR TINTED	91-94 (1)	999.94	799.95 *
50-7373		BODY SIDE WINDOW-RH 2 DOOR TINTED	91-94 (1)	999.94	799.95 *
50-7374		BODY SIDE WINDOW-LH 2 DOOR DEEP TINT	91-94 (1)	687.44	549.95 *
50-7375		BODY SIDE WINDOW-RH 2 DOOR DEEP TINT	91-94 (1)	687.44	549.95 *
50-7377		BODY SIDE WINDOW-RH 4 DOOR TINTED	91-94 (1)	224.94	179.95 *
50-7378		BODY SIDE WINDOW-LH 4 DOOR DEEP TINT	91-94 (1)	212.44	169.95 *
50-7379		BODY SIDE WINDOW-RH 4 DOOR DEEP TINT	91-94 (1)	212.44	169.95 *
50-0527	(2)	NUT	EXPLORER 91-94(18)	8.69	6.95

**Moveable Body Side Window and Components**

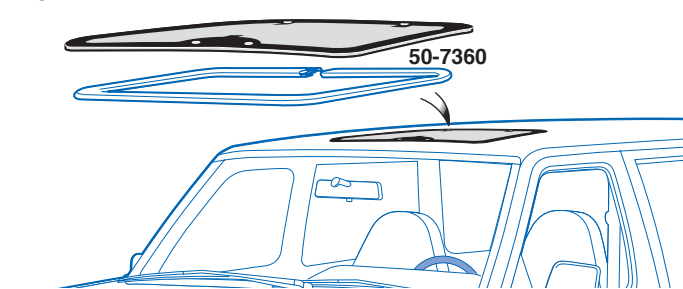
Explorer 1991-01 2 Door



PART	ILL#	DESCRIPTION AND APPLICATION	REQD	LIST	SELL
50-7370	(1)	BODY SIDE WINDOW-LH TINTED EXPLORER	91-94 (1)	62.44	49.95
50-7371		BODY SIDE WINDOW-RH TINTED EXPLORER	91-94 (1)	62.44	49.95
50-7370		BODY SIDE WINDOW-LH TINTED	95-97 (1)	62.44	49.95
50-7371		BODY SIDE WINDOW-RH TINTED	95-97 (1)	62.44	49.95
50-7394		BODY SIDE WINDOW-LH TINTED	98-01 (1)	224.94	179.95
50-7395		BODY SIDE WINDOW-RH TINTED	98-01 (1)	224.94	179.95
50-7396		BODY SIDE WINDOW-LH DEEP TINT	98-01 (1)	149.94	119.95
50-7397		BODY SIDE WINDOW-RH DEEP TINT	98-01 (1)	149.94	119.95
50-7666	(2)	WEATHERSTRIP	EXPLORER 91-01 (2)	81.19	64.95
50-0526	(3)	NUT W/WASHER	EXPLORER 91-01 (4)	1.56	1.25
50-7882	(4)	LATCH ASSEMBLY	EXPLORER 91-01 (2)	56.19	44.95
50-7883	(5)	LATCH RETAINER ASSY	EXPLORER 91-01 (2)	21.19	16.95
50-0300	(6)	SCREW	EXPLORER 91-01 (4)	1.81	1.45
50-7884	(7)	LATCH ANCHOR PLATE	EXPLORER 91-01 (2)	37.44	29.95

**Sunroof**

Explorer 1991-94



\*After the sell price means Oversize Part Charge. Your order will incur a charge of \$20.00 for each oversized part. Additional delivery time required.

PART	DESCRIPTION AND APPLICATION	REQD	LIST	SELL
50-7360	SUNROOF-DEEP TINT	EXPLORER 91-94 (1)	624.94	499.95 *

**Windshield Removal Tool**



Cuts the adhesive compound used to attach windshields. Features tempered steel blade with knurled handles for extra grip and leverage.

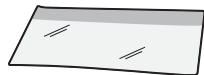
PART	DESCRIPTION AND APPLICATION	REQD	LIST	SELL
42-0862	WINDSHIELD REMOVAL TOOL	(1)	24.94	19.95



# WINDOWS

9

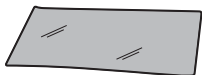
## Body Glass



**SHADED**  
Window has a full light green tint with a dark band at the top of glass.



**TINTED**  
Window has a full light green tint to glass.



**DEEP TINTED**  
Window has full dark gray tint to glass.

The windshield and body side window on 1995-01 Ford SUVs is attached with urethane adhesive. Professional installation is required. Contact your local glass installer for installation.

\*After the sell price means Oversize Part Charge. Your order will incur a charge of \$20.00 for each oversized part. Additional delivery time required.

**Permatex Windshield and Glass Sealant** is silicone and seals windshields, windows, sunroofs and more. Flows into leaks like water but dries to form a flexible, tough, clear seal resistant to extreme temperatures, vibration, shock and most chemicals. Available in a 1.5 ounce tube.

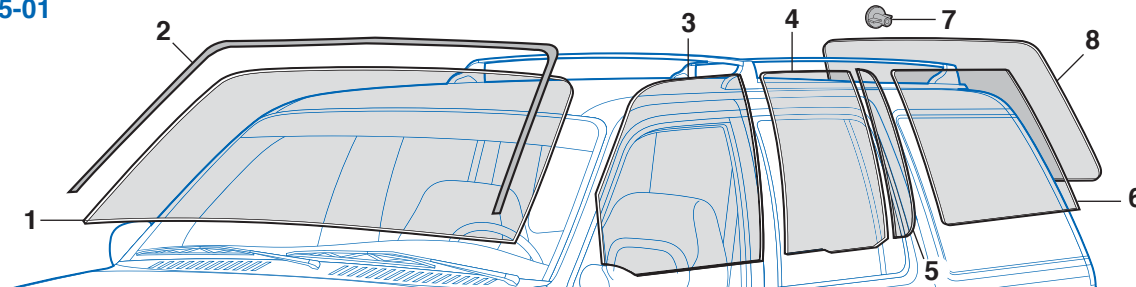


42-0809

PART	DESCRIPTION AND APPLICATION	LIST	SELL
42-0809	SILICONE SEALANT WINDSHIELD & GLASS 1.5 OZ TUBE	7.44	5.95

-T after a part number means that part must be shipped Truck Freight. The prepaid order will include a \$125.00 charge for delivery in the 48 contiguous United States. Orders outside of the 48 states will be quoted. Additional delivery time required.

## Explorer 1995-01

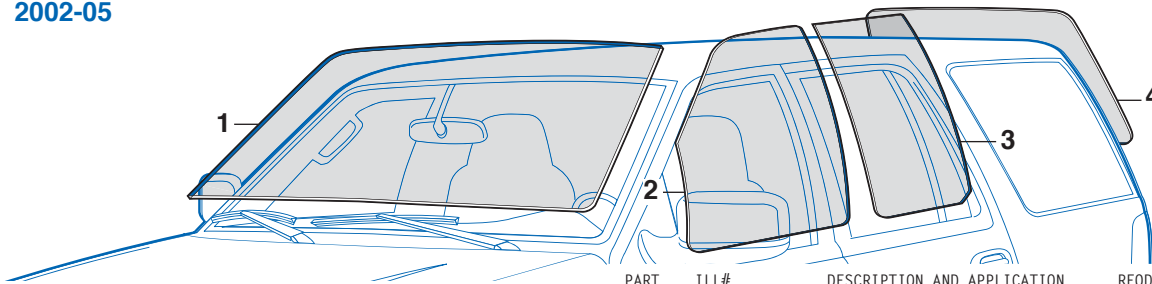


PART	ILL#	DESCRIPTION AND APPLICATION	REQD	LIST	SELL
<b>Windshield Glass</b>					
50-9412-T	(1)	WINDSHIELD SHADED EXPLORER	95-01 (1)	187.44	149.95
50-9211	(2)	UPPER & SIDE MOLDING EXPLORER	95-01 (1)	62.44	49.95
<b>Front Door Glass</b>					
50-7332	(3)	FRONT DOOR GLASS-LH TINTED 2 DOOR	95-00 (1)	187.44	149.95
50-7333		FRONT DOOR GLASS-RH TINTED 2 DOOR	95-00 (1)	187.44	149.95
50-7334		FRONT DOOR GLASS-LH TINTED 4 DOOR	95-01 (1)	187.44	149.95
50-7335		FRONT DOOR GLASS-RH TINTED 4 DOOR	95-01 (1)	187.44	149.95
<b>Rear Door Glass</b>					
50-7350	(4)	REAR DOOR GLASS-LH TINTED EXPLORER	95-97 (1)	62.44	49.95
50-7351		REAR DOOR GLASS-RH TINTED EXPLORER	95-97 (1)	62.44	49.95
50-7352		REAR DOOR GLASS-LH DEEP TNT EXPLORER	95-97 (1)	62.44	49.95
50-7353		REAR DOOR GLASS-RH DEEP TNT EXPLORER	95-97 (1)	62.44	49.95
50-7380		REAR DOOR GLASS-LH TINTED EXPLORER	98-01 (1)	149.94	119.95
50-7381		REAR DOOR GLASS-RH TINTED EXPLORER	98-01 (1)	149.94	119.95
50-7382		REAR DOOR GLASS-LH DEEP TNT EXPLORER	98-01 (1)	162.44	129.95
50-7383		REAR DOOR GLASS-RH DEEP TNT EXPLORER	98-01 (1)	162.44	129.95
<b>Rear Vent Window</b>					
50-7354	(5)	REAR VENT WINDOW-LH TINTED EXPLORER	95-01 (1)	49.94	39.95
50-7355		REAR VENT WINDOW-RH TINTED EXPLORER	95-01 (1)	49.94	39.95
50-7356		RR VENT WINDOW-LH DEEP TINT EXPLORER	95-97 (1)	49.94	39.95
50-7357		RR VENT WINDOW-RH DEEP TINT EXPLORER	95-97 (1)	49.94	39.95

PART	ILL#	DESCRIPTION AND APPLICATION	REQD	LIST	SELL
<b>Body Side Window</b>					
50-7372	(6)	BODY SIDE WINDOW-LH TINTED 2 DOOR	95-97 (1)	999.94	799.95 *
50-7373		BODY SIDE WINDOW-RH TINTED 2 DOOR	95-97 (1)	999.94	799.95 *
50-7374		BODY SIDE WINDOW-LH DEEPTNT 2 DOOR	95-97 (1)	687.44	549.95 *
50-7375		BODY SIDE WINDOW-RH DEEPTNT 2 DOOR	95-97 (1)	687.44	549.95 *
50-7412		BODY SIDE WINDOW-LH DEEPTNT 2 DOOR	98-00 (1)	499.94	399.95 *
50-7413		BODY SIDE WINDOW-RH DEEPTNT 2 DOOR	98-00 (1)	499.94	399.95 *
50-7377		BODY SIDE WINDOW-RH TINTED 4 DOOR	95-97 (1)	224.94	179.95 *
50-7378		BODY SIDE WINDOW-LH DEEPTNT 4 DOOR	95-97 (1)	212.44	169.95 *
50-7379		BODY SIDE WINDOW-RH DEEPTNT 4 DOOR	95-97 (1)	212.44	169.95 *
50-7414		BODY SIDE WINDOW-LH TINTED 4 DOOR	98-01 (1)	287.44	229.95 *
50-7415		BODY SIDE WINDOW-RH TINTED 4 DOOR	98-01 (1)	362.44	289.95 *
50-7416		BODY SIDE WINDOW-LH DEEPTNT 4 DOOR	98-01 (1)	374.94	299.95 *
50-7417		BODY SIDE WINDOW-RH DEEPTNT 4 DOOR	98-01 (1)	374.94	299.95 *
50-7370		BODY SIDE WINDOW-LH TINTED EXPLORER	95-97 (1)	62.44	49.95
50-7371		BODY SIDE WINDOW-RH TINTED EXPLORER	95-97 (1)	62.44	49.95
50-0527	(7)	NUT-WINDOW EXPLORER	95-97(18)	8.69	6.95
<b>Rear Window Glass</b>					
50-9441	(8)	REAR WINDOW TINTED "A" EXPLORER	95-97 (1)	174.94	139.95 *
50-9443		REAR WINDOW DEEP TINT "A" EXPLORER	95-97 (1)	174.94	139.95 *
50-9444		REAR WINDOW TINTED "B" EXPLORER	95-97 (1)	212.44	169.95 *
50-9447		REAR WINDOW TINTED EXPLORER	98-01 (1)	249.94	199.95 *
50-9445		REAR WINDOW TINT HEATED EXPLORER	98-01 (1)	249.94	199.95 *
50-9446		REAR WINDOW DEEP TINT EXPLORER	98-01 (1)	249.94	199.95 *

Note: "A" For models with rear window wiper.  
"B" For models without rear window wiper.

## Explorer 2002-05



PART	ILL#	DESCRIPTION AND APPLICATION	REQD	LIST	SELL
<b>Windshield Glass</b>					
50-9413-T	(1)	WINDSHIELD TINTED EXPLORER	02-05 (1)	324.94	259.95
50-9414-T		WINDSHIELD SHADED EXPLORER	02-05 (1)	249.94	199.95
<b>Front Door Glass</b>					
50-7358	(2)	FRONT DOOR GLASS-LH TINTED EXPLORER	02-05 (1)	249.94	199.95
50-7359		FRONT DOOR GLASS-RH TINTED EXPLORER	02-05 (1)	249.94	199.95

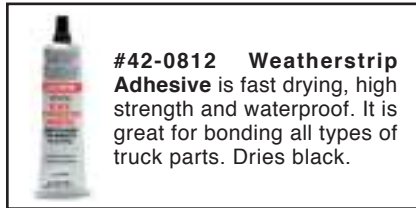
PART	ILL#	DESCRIPTION AND APPLICATION	REQD	LIST	SELL
<b>Rear Door Glass</b>					
50-7384	(3)	REAR DOOR GLASS-LH TINTED EXPLORER	02-05 (1)	249.94	199.95
50-7385		REAR DOOR GLASS-RH TINTED EXPLORER	02-05 (1)	249.94	199.95
50-7386		REAR DOOR GLASS-LH DEEPTINT EXPLORER	02-05 (1)	374.94	299.95
50-7387		REAR DOOR GLASS-RH DEEPTINT EXPLORER	02-05 (1)	374.94	299.95
<b>Rear Window Glass</b>					
50-9450	(4)	REAR WINDOW DEEPTINT EXPLORER	02-05 (1)	874.94	699.95 *

# 10

# EXTERIOR RUBBER / FLOOR PLUGS

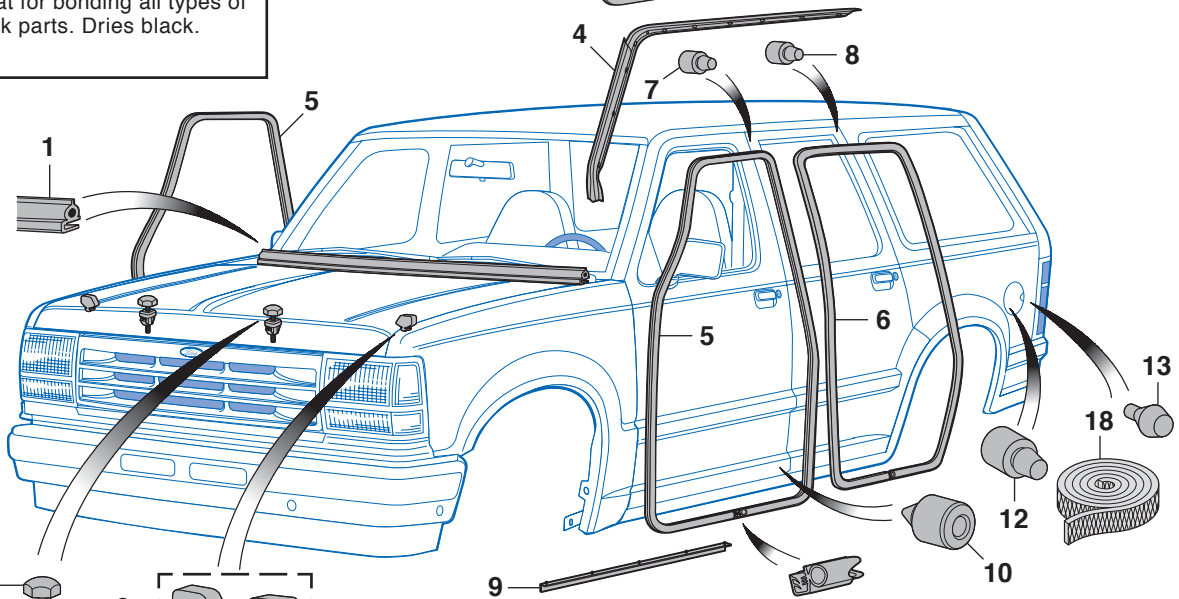
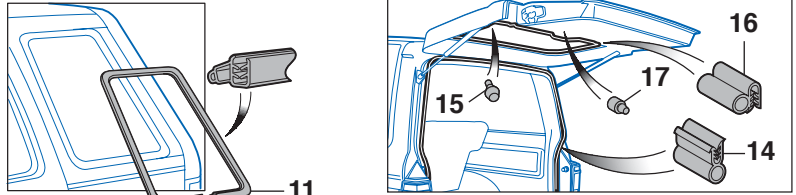
## Exterior Rubber Components

Explorer 1991-94



**#42-0812 Weatherstrip Adhesive** is fast drying, high strength and waterproof. It is great for bonding all types of truck parts. Dries black.

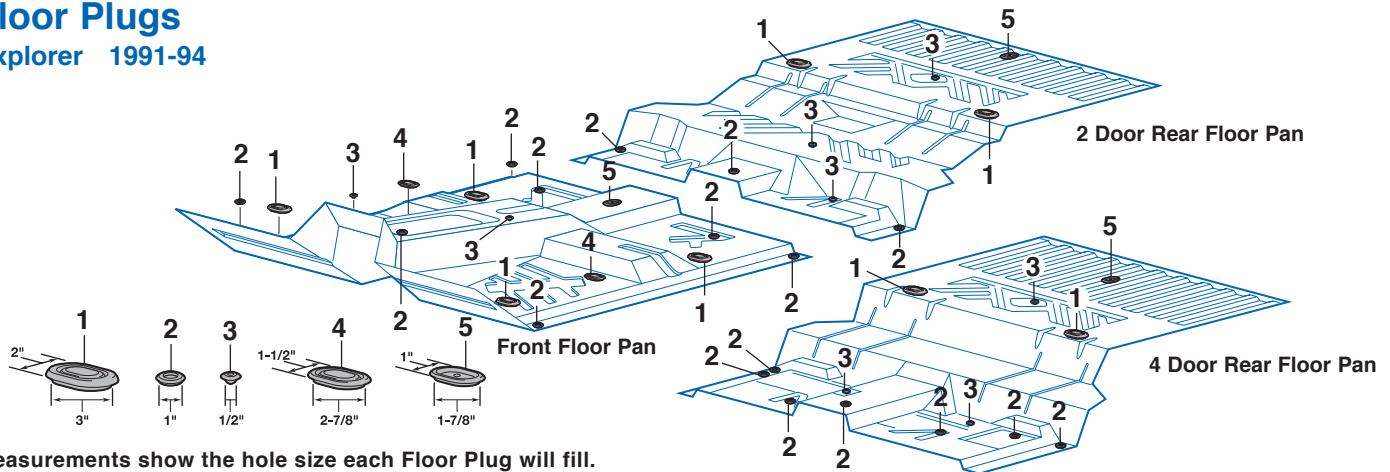
### 2 Door Body Side Window



PART	ILL#	DESCRIPTION AND APPLICATION	REQD	LIST	SELL	PART	ILL#	DESCRIPTION AND APPLICATION	REQD	LIST	SELL	
50-7600	(1)	HOOD TO COWL SEAL	EXPLORER 91-94 (1)	18.69	14.95	50-7660	(9)	DOOR WEATHERSTRIP-LWR DOOR	2 DOOR	91-94 (2)	49.94	39.95
41-1626	(2)	HOOD BUMPER-FRONT	EXPLORER 91-94 (2)	6.19	4.95	50-7661	(9)	DOOR WEATHERSTRIP-LWR DOOR	4 DOOR	91-94 (2)	37.44	29.95
41-1580	(3)	HOOD BUMPER SET-FENDER	EXPLORER 91-94 (1)	6.19	4.95	50-1506	(10)	BUMPER-LOWER DOOR	EXPLORER	91-94 (4)	3.69	2.95
50-7610	(4)	ROOF SIDE WEATHERSTRIP-LH	2 DOOR 91-94 (1)	149.94	119.95	50-7666	(11)	QUARTER WINDOW WEATHERSTRIP	2 DOOR	91-94 (2)	81.19	64.95
50-7611		ROOF SIDE WEATHERSTRIP-RH	2 DOOR 91-94 (1)	149.94	119.95	50-1522	(12)	BUMPER ON FUEL DOOR	EXPLORER	91-94 (2)	2.44	1.95
50-7612		ROOF SIDE WEATHERSTRIP-LH	4 DOOR 91-94 (1)	237.44	189.95	50-1523	(13)	BUMPER ON BODY	EXPLORER	91-94 (2)	1.19	.95
50-7655	(5)	DOOR WEATHERSTRIP-ON BODY	2 DOOR 91-94 (2)	49.94	39.95	50-7673	(14)	LIFTGATE WEATHERSTRIP	EXPLORER	91-94 (1)	149.94	119.95
50-7656	(6)	DOOR WEATHERSTRIP-FRONT	4 DOOR 91-94 (2)	49.94	39.95	50-1524	(15)	BUMPER-LIFTGATE	EXPLORER	91-94 (4)	2.44	1.95
50-7657	(6)	DOOR WEATHERSTRIP-REAR	4 DOOR 91-94 (2)	49.94	39.95	50-7674	(16)	WEATHERSTRIP-REAR WINDOW	EXPLORER	91-94 (1)	99.94	79.95
41-1576	(7)	BUMPER-UPPER FRONT DOOR	EXPLORER 91-94 (2)	2.44	1.95	41-1598	(17)	BUMPER-LIFTGATE GLASS	EXPLORER	91-94 (2)	1.19	.95
50-1505	(8)	BUMPER-UPPER REAR DOOR	4 DOOR 91-94 (2)	14.94	11.95	49-9305	(18)	BODY TO FRAME WEBBING 30FT	EXPLORER	91-94 A/R	31.19	24.95
						42-0812	(19)	WEATHERSTRIP ADHESIVE-BLACK 5 OZ TUBE			8.69	6.95

## Floor Plugs

Explorer 1991-94

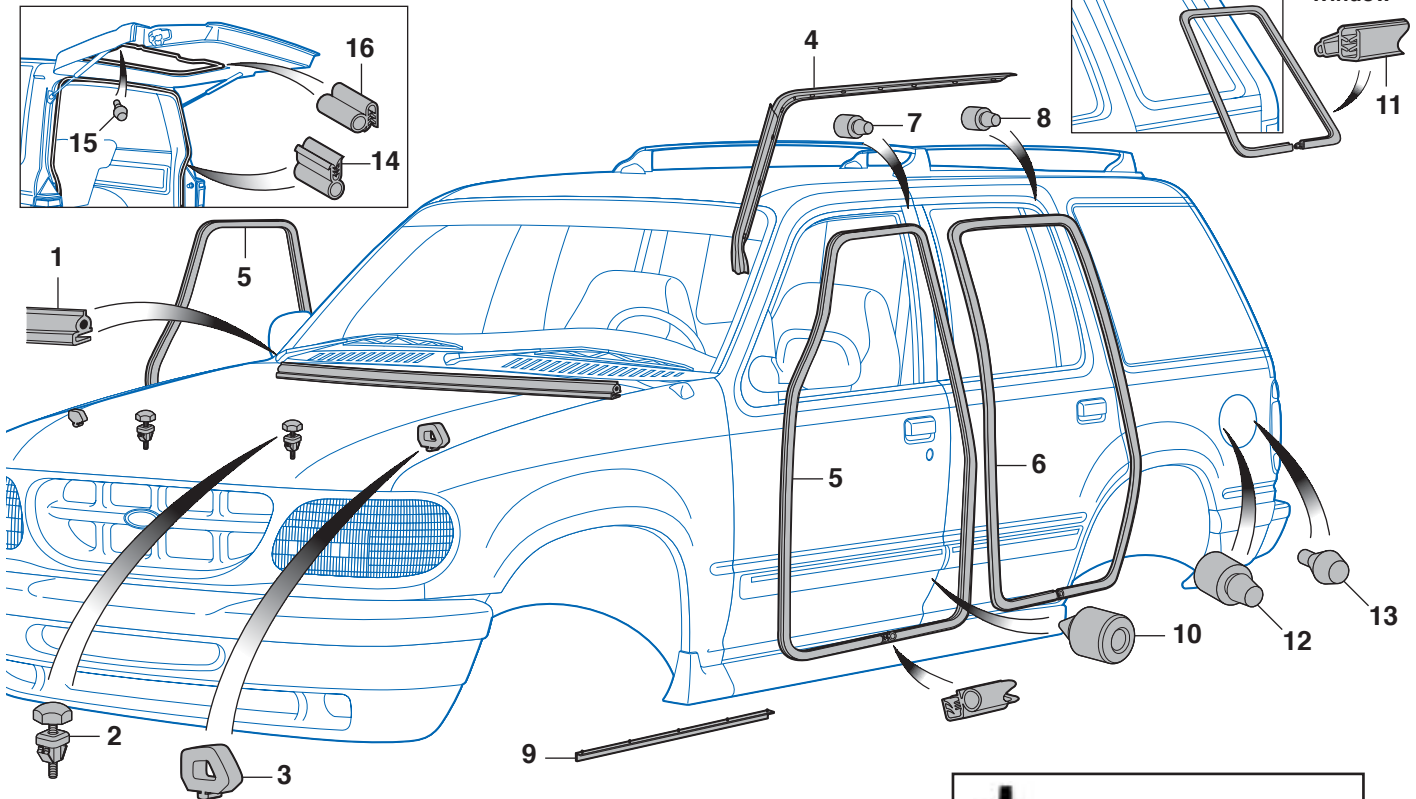


Measurements show the hole size each Floor Plug will fill.

PART	ILL#	DESCRIPTION AND APPLICATION	REQD	LIST	SELL	PART	ILL#	DESCRIPTION AND APPLICATION	REQD	LIST	SELL
40-1289	(1)	FLOOR PLUG	EXPLORER 91-94 (6)	11.19	8.95	50-1471	(3)	FLOOR PLUG	EXPLORER 91-94 (5)	4.94	3.95
50-1470	(2)	FLOOR PLUG	2 DOOR EXPLORER 91-94(10)	1.81	1.45	40-1290	(4)	FLOOR PLUG	EXPLORER 91-94 (2)	3.69	2.95
50-1470		FLOOR PLUG	4 DOOR EXPLORER 91-94(14)	1.81	1.45	50-1472	(5)	FLOOR PLUG	EXPLORER 91-94 (2)	3.69	2.95

## Exterior Rubber Components

Explorer 1995-01



PART	ILL#	DESCRIPTION AND APPLICATION	REQD	LIST	SELL
50-7600	(1)	HOOD TO COWL SEAL	EXPLORER 95-01 (1)	18.69	14.95
41-1626	(2)	HOOD BUMPER-FRONT	EXPLORER 95-01 (2)	6.19	4.95
50-1504	(3)	HOOD BUMPER-FENDER	EXPLORER 95-01 (2)	7.44	5.95
50-7610	(4)	ROOF SIDE WEATHERSTRIP-LH	2 DOOR 95-01 (1)	149.94	119.95
50-7611		ROOF SIDE WEATHERSTRIP-RH	2 DOOR 95-01 (1)	149.94	119.95
50-7612		ROOF SIDE WEATHERSTRIP-LH	4 DOOR 95-01 (1)	237.44	189.95
50-7655	(5)	DOOR WEATHERSTRIP-ON BODY	2 DOOR 95-01 (2)	49.94	39.95
50-7656		DOOR WEATHERSTRIP-FRONT	4 DOOR 95-01 (2)	49.94	39.95
50-7657	(6)	DOOR WEATHERSTRIP-REAR	4 DOOR 95-01 (2)	49.94	39.95
41-1576	(7)	BUMPER-UPPER FRONT DOOR	EXPLORER 95-01 (2)	2.44	1.95
50-1505	(8)	BUMPER-UPPER REAR DOOR	4 DOOR 95-01 (2)	14.94	11.95
50-7660	(9)	DOOR WEATHERSTRIP-LWR DOOR	2 DOOR 95-01 (2)	49.94	39.95
50-7661		DOOR WEATHERSTRIP-LWR DOOR	4 DOOR 95-01 (2)	37.44	29.95
50-1506	(10)	BUMPER-LOWER DOOR	EXPLORER 95-01 (4)	3.69	2.95

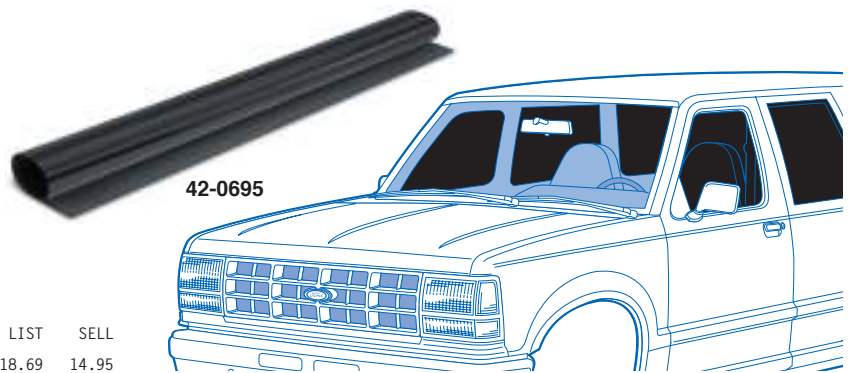


**#42-0812 Weatherstrip Adhesive** is fast drying, high strength and waterproof. It is great for bonding all types of truck parts. Dries black.

PART	ILL#	DESCRIPTION AND APPLICATION	REQD	LIST	SELL
50-7666	(11)	QUARTER WINDOW WEATHERSTRIP 2 DOOR	95-01 (2)	81.19	64.95
50-1522	(12)	BUMPER ON FUEL DOOR	EXPLORER 95-01 (2)	2.44	1.95
50-1523	(13)	BUMPER ON BODY	EXPLORER 95-01 (2)	1.19	.95
50-7673	(14)	LIFTGATE WEATHERSTRIP	EXPLORER 95-01 (1)	149.94	119.95
50-1524	(15)	BUMPER-LIFTGATE	EXPLORER 95-01 (4)	2.44	1.95
50-7674	(16)	WEATHERSTRIP-REAR WINDOW	EXPLORER 95-97 (1)	99.94	79.95
42-0812	(17)	WEATHERSTRIP ADHESIVE-BLACK 5 OZ TUBE		8.69	6.95

## Double Black Film Kit

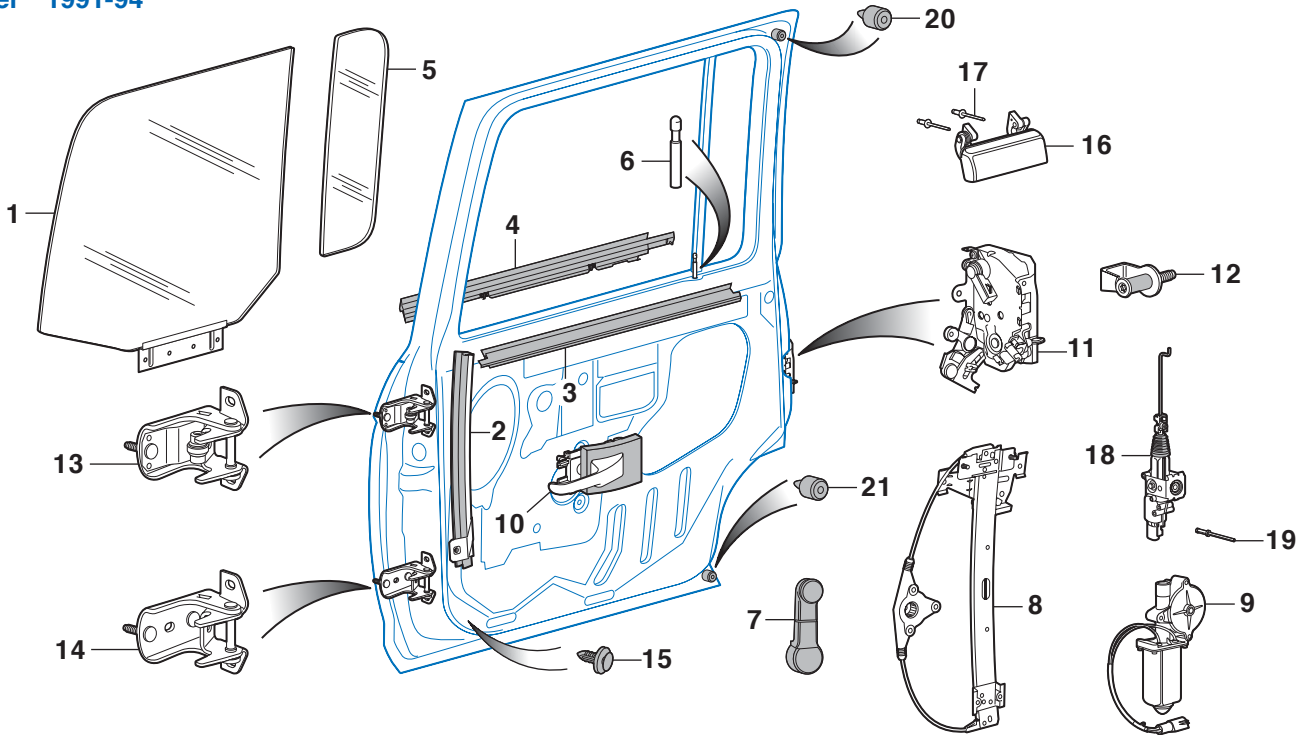
With the Double Black Film Kit you can ride in your SUV without being bothered by the rest of the world. Customize your SUV with an easy-to-install Double Black Film Kit with self-adhesive backing. The 20" x 60" kit offers the maximum protection from the sun coming in through your rear window. Double Black Film Kit makes glass more shatter resistant and is hard coated to ensure minimum scratching from window usage. Film Kit allows 5% light transmission. *Check state and local laws before ordering.*



PART	DESCRIPTION AND APPLICATION	LIST	SELL
42-0695	DOUBLE BLACK WINDOW FILM KIT 20" X 60"	18.69	14.95

Rear Door Components

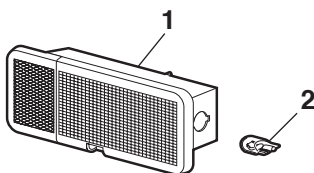
Explorer 1991-94



PART	ILL#	DESCRIPTION AND APPLICATION	REQD	LIST	SELL	PART	ILL#	DESCRIPTION AND APPLICATION	REQD	LIST	SELL
50-7350	(1)	RR DOOR GLASS-LH TINTED EXPLORER	91-94 (1)	62.44	49.95	50-7714	(9)	POWER WINDOW MOTOR-LH EXPLORER	91-94 (1)	112.44	89.95
50-7351		RR DOOR GLASS-RH TINTED EXPLORER	91-94 (1)	62.44	49.95	50-7715		POWER WINDOW MOTOR-RH EXPLORER	91-94 (1)	112.44	89.95
50-7352		RR DOOR GLASS-LH DEEP TINT EXPLORER	91-94 (1)	62.44	49.95	50-7236	(10)	DOOR HANDLE-INNER-LH EXPLORER	91-94 (1)	18.69	14.95
50-7353		RR DOOR GLASS-RH DEEP TINT EXPLORER	91-94 (1)	62.44	49.95	50-7237		DOOR HANDLE-INNER-RH EXPLORER	91-94 (1)	18.69	14.95
50-7534	(2)	GLASS CHANNEL-LH EXPLORER	91-94 (1)	41.19	32.95	50-7810	(11)	DOOR LATCH-LH EXPLORER	91-94 (1)	99.94	79.95
50-7568	(3)	DOOR WINDOW SEAL-INNER-LH EXPLORER	91-94 (1)	37.44	29.95	50-7811		DOOR LATCH-RH EXPLORER	91-94 (1)	99.94	79.95
50-7569		DOOR WINDOW SEAL-INNER-RH EXPLORER	91-94 (1)	37.44	29.95	50-7780	(12)	DOOR STRIKER EXPLORER	91-94 (2)	12.44	9.95
50-7570	(4)	DOOR WINDOW SEAL-OUTER-LH EXPLORER	91-94 (1)	49.94	39.95	50-7303	(13)	DOOR HINGE-UPPER EXPLORER	91-94 (2)	81.19	64.95
50-7571		DOOR WINDOW SEAL-OUTER-RH EXPLORER	91-94 (1)	49.94	39.95	50-7304	(14)	DOOR HINGE-LOWER EXPLORER	91-94 (2)	74.94	59.95
50-7354	(5)	REAR VENT WINDOW-LH TINTED EXPLORER	91-94 (1)	49.94	39.95	40-0793	(15)	RETAINER-DOOR PANEL EXPLORER	91-94 A/R	1.19	.95
50-7355		REAR VENT WINDOW-RH TINTED EXPLORER	91-94 (1)	49.94	39.95	50-7316	(16)	DOOR HANDLE-OUTER-LH EXPLORER	91-94 (1)	24.94	19.95
50-7356		RR VENT WINDOW-LH DEEP TINT EXPLORER	91-94 (1)	49.94	39.95	50-7317		DOOR HANDLE-OUTER-RH EXPLORER	91-94 (1)	24.94	19.95
50-7357		RR VENT WINDOW-RH DEEP TINT EXPLORER	91-94 (1)	49.94	39.95	50-0544	(17)	RIVET-HANDLE EXPLORER	91-94 (4)	1.19	.95
50-7270	(6)	DOOR LOCK KNOB-BLACK EXPLORER	91-94 (2)	12.44	9.95	50-7796	(18)	DOOR LOCK ACTUATOR EXPLORER	91-94 (2)	124.94	99.95
40-2623	(7)	WINDOW HANDLE EXPLORER	91-94 (2)	12.44	9.95	40-2742	(19)	RIVET EXPLORER	91-94 (2)	.69	.55
50-7818	(8)	WINDOW REGULATOR-LH POWER EXPLORER	91-94 (1)	187.44	149.95	50-1505	(20)	BUMPER-UPPER DOOR EXPLORER	91-94 (2)	14.94	11.95
50-7819		WINDOW REGULATOR-RH POWER EXPLORER	91-94 (1)	187.44	149.95	50-1506	(21)	BUMPER-LOWER DOOR EXPLORER	91-94 (2)	3.69	2.95

Door Lamp

Explorer 1991-94



PART	ILL#	DESCRIPTION AND APPLICATION	REQD	LIST	SELL
50-8498	(1)	DOOR LAMP-CLEAR/RED-LH EXPLORER	91-94 (1)	74.94	59.95
50-8499		DOOR LAMP-CLEAR/RED-RH EXPLORER	91-94 (1)	74.94	59.95
47-0234	(2)	BULB-DOOR LAMP-CLEAR EXPLORER	91-94 (2)	1.19	.95

Hand Riveter Set ...

Makes Rivet Installation Easy



42-0825

This Hand Riveter Set includes one hand riveter and 60 blind rivets. Great for installing side molding, grille panels, sun visor mounts, bumper supports and much more.

Also includes four nozzles for 3/32", 1/8", 5/32" and 3/16" blind rivets.

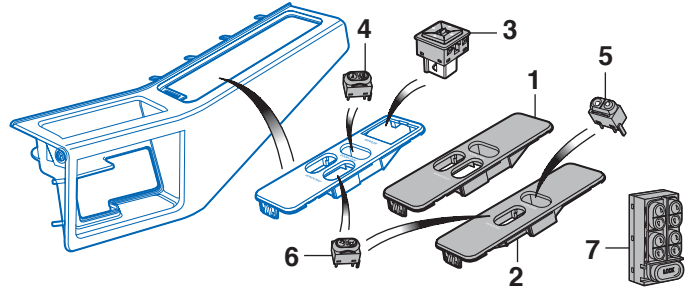
PART	DESCRIPTION AND APPLICATION	LIST	SELL
42-0825	HAND RIVETER SET	11.19	8.95

## Door Bezels and Switches

### Explorer 1991-94

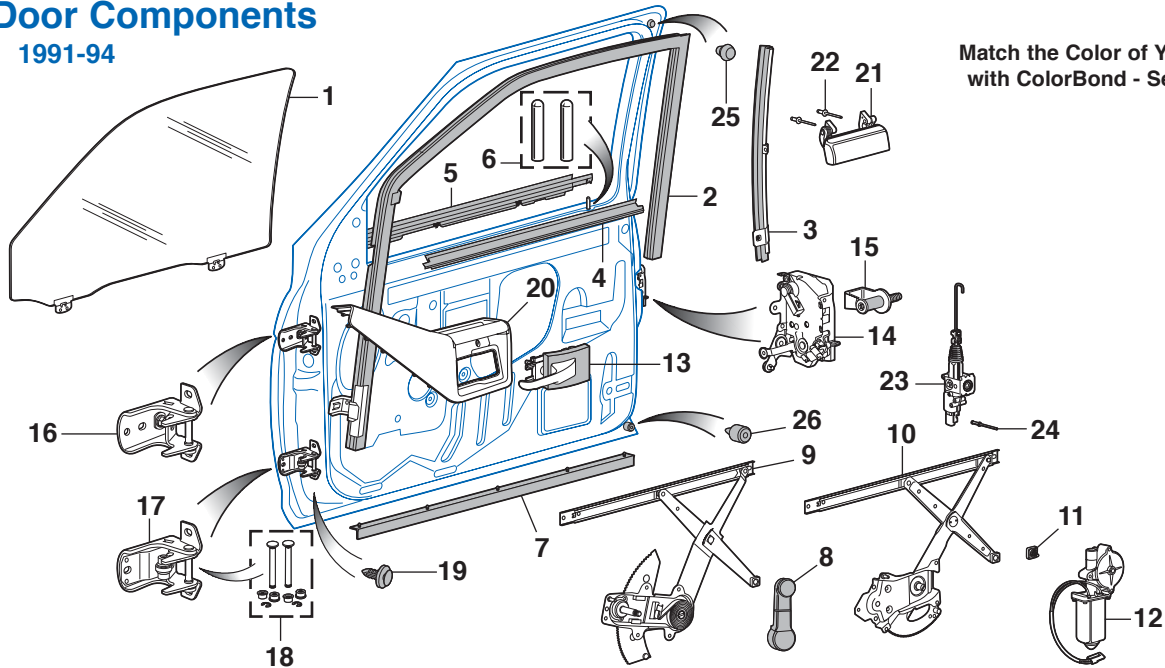
PART	ILL#	DESCRIPTION AND APPLICATION	REQD	LIST	SELL
50-8252	(1)	FRONT DOOR BEZEL-LH 2DR "A" EXPLORER	91-94 (1)	41.19	32.95
50-8253	(2)	FRONT DOOR BEZEL-RH "A" EXPLORER	91-94 (1)	41.19	32.95
50-8163	(3)	POWER MIRROR SWITCH-LH EXPLORER	91-94 (1)	124.94	99.95
50-8164	(4)	PWR DOOR LOCK SWITCH-LH "B" EXPLORER	91-94 A/R	37.44	29.95
47-0624	(5)	PWR DOOR LOCK SWITCH-RH "B" EXPLORER	91-94 A/R	43.69	34.95
47-0825	(6)	POWER WINDOW SWITCH "B" EXPLORER	91-94 A/R	14.94	11.95
47-0828	(7)	POWER WINDOW SWITCH-LH 4DR EXPLORER	91-94 (1)	37.44	29.95

Note: "A" For models with power locks and windows.  
"B" For front and rear doors.



## Front Door Components

### Explorer 1991-94



Match the Color of Your Interior  
with ColorBond - See Page 58

PART	ILL#	DESCRIPTION AND APPLICATION	REQD	LIST	SELL
50-7346	(1)	FRONT DOOR GLASS-LH TINTED 2 DR EXPL	91-94 (1)	62.44	49.95
50-7347	(1)	FRONT DOOR GLASS-RH TINTED 2 DR EXPL	91-94 (1)	62.44	49.95
50-7348	(1)	FRONT DOOR GLASS-LH TINTED 4 DR EXPL	91-94 (1)	62.44	49.95
50-7349	(1)	FRONT DOOR GLASS-RH TINTED 4 DR EXPL	91-94 (1)	62.44	49.95
50-7514	(2)	DOOR GLASS RUN-LH 2 DR EXPL	91-94 (1)	174.94	139.95
50-7515	(2)	DOOR GLASS RUN-RH 2 DR EXPL	91-94 (1)	174.94	139.95
50-7516	(4)	DOOR GLASS RUN-LH 4 DR EXPL	91-94 (1)	174.94	139.95
50-7517	(4)	DOOR GLASS RUN-RH 4 DR EXPL	91-94 (1)	174.94	139.95
50-7530	(3)	DOOR GLASS CHANNEL-LH 2 DR EXPL	91-94 (1)	87.44	69.95
50-7531	(3)	DOOR GLASS CHANNEL-RH 2 DR EXPL	91-94 (1)	62.44	49.95
50-7532	(4)	DOOR GLASS CHANNEL-LH 4 DR EXPL	91-94 (1)	87.44	69.95
50-7533	(4)	DOOR GLASS CHANNEL-RH 4 DR EXPL	91-94 (1)	87.44	69.95
50-7560	(4)	DOOR WINDOW SEAL-INNER-LH 2 DR EXPL	91-94 (1)	37.44	29.95
50-7561	(4)	DOOR WINDOW SEAL-INNER-RH 2 DR EXPL	91-94 (1)	37.44	29.95
50-7562	(4)	DOOR WINDOW SEAL-INNER-LH 4 DR EXPL	91-94 (1)	37.44	29.95
50-7563	(4)	DOOR WINDOW SEAL-INNER-RH 4 DR EXPL	91-94 (1)	37.44	29.95
50-7564	(5)	DOOR WINDOW SEAL-OUTER-LH 2 DR EXPL	91-94 (1)	62.44	49.95
50-7565	(5)	DOOR WINDOW SEAL-OUTER-RH 2 DR EXPL	91-94 (1)	62.44	49.95
50-7566	(4)	DOOR WINDOW SEAL-OUTER-LH 4 DR EXPL	91-94 (1)	68.69	54.95
40-2681	(6)	DOOR LOCK KNOB SET-CHROME EXPL	91-94 (1)	6.19	4.95
40-2682	(6)	DOOR LOCK KNOB SET-BLACK EXPL	91-94 (1)	9.94	7.95
50-7660	(7)	DOOR WEATHERSTRIP-LWR DOOR 2 DR EXPL	91-94 (2)	49.94	39.95
50-7661	(7)	DOOR WEATHERSTRIP-LWR DOOR 4 DR EXPL	91-94 (2)	37.44	29.95
40-2623	(8)	WINDOW HANDLE EXPL	91-94 (2)	12.44	9.95
50-7814	(9)	WINDOW REGULATOR-LH MANUAL EXPL	91-94 (1)	62.44	49.95
50-7815	(9)	WINDOW REGULATOR-RH MANUAL EXPL	91-94 (1)	62.44	49.95
50-7816	(10)	WINDOW REGULATOR-LH POWER EXPL	91-94 (1)	87.44	69.95
50-7817	(10)	WINDOW REGULATOR-RH POWER EXPL	91-94 (1)	87.44	69.95

PART	ILL#	DESCRIPTION AND APPLICATION	REQD	LIST	SELL
49-7867	(11)	WINDOW REG ROLLER & NUT EXPL	91-94 (6)	7.44	5.95
50-7712	(12)	POWER WINDOW MOTOR-LH EXPL	91-94 (1)	87.44	69.95
50-7713	(12)	POWER WINDOW MOTOR-RH EXPL	91-94 (1)	87.44	69.95
50-7236	(13)	DOOR HANDLE-INNER-LH EXPL	91-94 (1)	18.69	14.95
50-7237	(13)	DOOR HANDLE-INNER-RH EXPL	91-94 (1)	18.69	14.95
50-7808	(14)	DOOR LATCH-LH EXPL	91-94 (1)	93.69	74.95
50-7809	(14)	DOOR LATCH-RH EXPL	91-94 (1)	93.69	74.95
50-7780	(15)	DOOR STRIKER EXPL	91-94 (2)	12.44	9.95
50-7301	(16)	DOOR HINGE-UPPER EXPL	91-94 (2)	62.44	49.95
50-7302	(17)	DOOR HINGE-LOWER EXPL	91-94 (2)	106.19	84.95
50-7295	(18)	DOOR HINGE PIN KIT EXPL	91-94 (2)	7.44	5.95
40-0793	(19)	RETAINER-DOOR PANEL EXPL	91-94 A/R	1.19	.95
50-7260	(20)	DOOR PULL-LH "A" EXPL	91-94 (1)	24.94	19.95
50-7261	(20)	DOOR PULL-RH "A" EXPL	91-94 (1)	24.94	19.95
50-7316	(21)	DOOR HANDLE-OUTER-LH EXPL	91-94 (1)	24.94	19.95
50-7317	(21)	DOOR HANDLE-OUTER-RH EXPL	91-94 (1)	24.94	19.95
50-0544	(22)	RIVET-HANDLE EXPL	91-94 (4)	1.19	.95
50-7794	(23)	DOOR LOCK ACTUATOR 2 DR EXPL	91-94 (2)	87.44	69.95
50-7795	(23)	DOOR LOCK ACTUATOR 4 DR EXPL	91-94 (2)	87.44	69.95
40-2742	(24)	RIVET EXPL	91-94 (2)	.69	.55
41-1576	(25)	BUMPER-UPPER DOOR EXPL	91-94 (2)	2.44	1.95
50-1506	(26)	BUMPER-LOWER DOOR EXPL	91-94 (2)	3.69	2.95

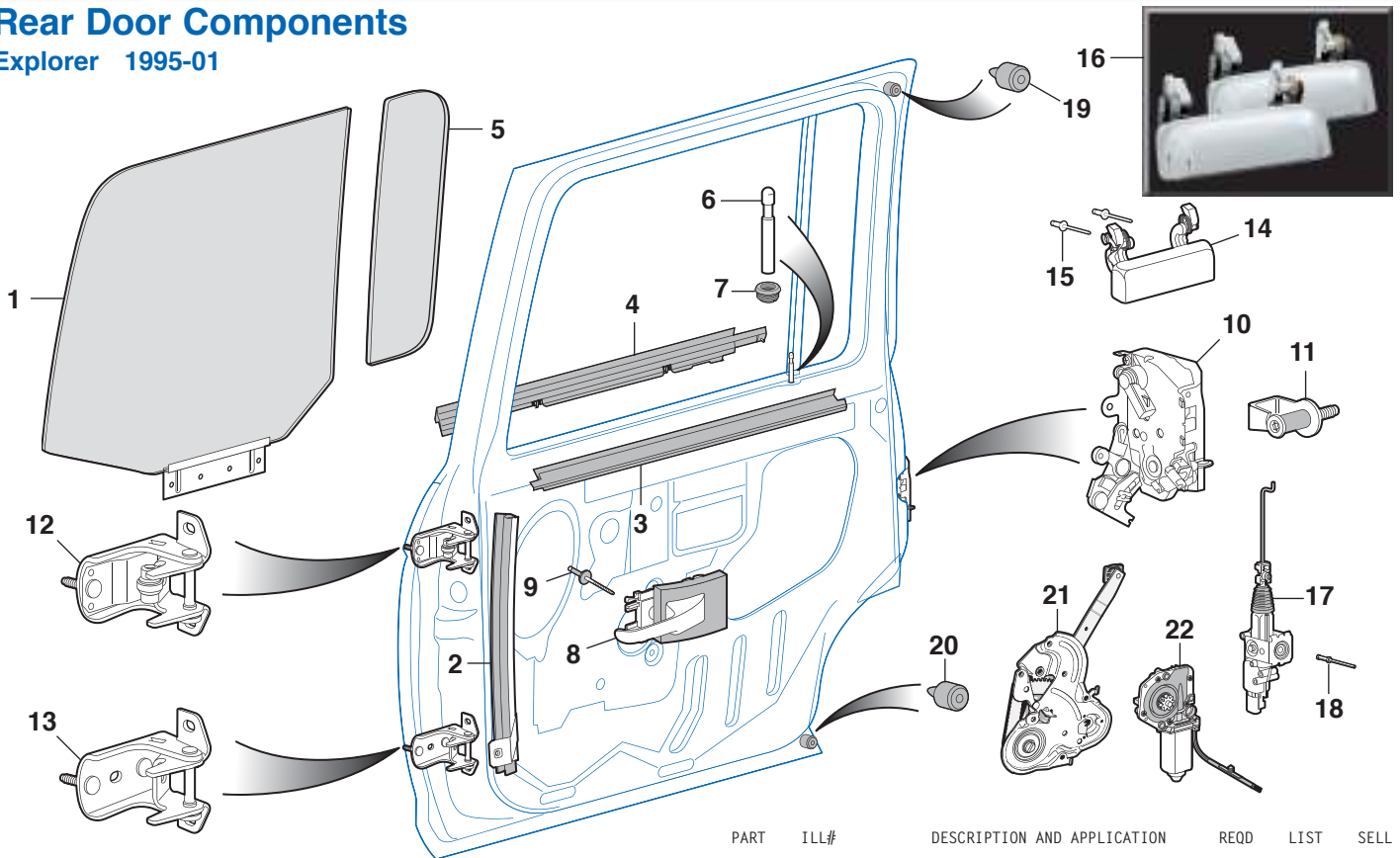
Note: "A" Paint to match interior.  
"B" For models with power windows.

# 14

# REAR DOOR / OUTSIDE DOOR HANDLES

## Rear Door Components

Explorer 1995-01



PART	ILL#	DESCRIPTION AND APPLICATION	REQD	LIST	SELL	PART	ILL#	DESCRIPTION AND APPLICATION	REQD	LIST	SELL
50-7350	(1)	DOOR GLASS-LH TINTED EXPLORER	95-97 (1)	62.44	49.95	50-7236	(8)	DOOR HANDLE-INNER-LH	EXPLORER 95-01 (1)	18.69	14.95
50-7351		DOOR GLASS-RH TINTED EXPLORER	95-97 (1)	62.44	49.95	50-7237		DOOR HANDLE-INNER-RH	EXPLORER 95-01 (1)	18.69	14.95
50-7352		DOOR GLASS-LH DEEP TINT EXPLORER	95-97 (1)	62.44	49.95	50-0544	(9)	RIVET-INSIDE HANDLE	EXPLORER 95-01 (2)	1.19	.95
50-7353		DOOR GLASS-RH DEEP TINT EXPLORER	95-97 (1)	62.44	49.95	50-7810	(10)	DOOR LATCH-LH	EXPLORER 95-01 (1)	99.94	79.95
50-7380		DOOR GLASS-LH TINTED EXPLORER	98-01 (1)	149.94	119.95	50-7811		DOOR LATCH-RH	EXPLORER 95-01 (1)	99.94	79.95
50-7381		DOOR GLASS-RH TINTED EXPLORER	98-01 (1)	149.94	119.95	50-7780	(11)	DOOR STRIKER	EXPLORER 95-01 (2)	12.44	9.95
50-7382		DOOR GLASS-LH DEEP TINT EXPLORER	98-01 (1)	162.44	129.95	50-7303	(12)	DOOR HINGE-UPPER	EXPLORER 95-01 (2)	81.19	64.95
50-7383		DOOR GLASS-RH DEEP TINT EXPLORER	98-01 (1)	162.44	129.95	50-7304	(13)	DOOR HINGE-LOWER	EXPLORER 95-01 (2)	74.94	59.95
50-7534	(2)	GLASS CHANNEL-LH	EXPLORER 95-01 (1)	41.19	32.95	50-7320	(14)	DOOR HANDLE-OUTER	"A" EXPLORER 95-97 (2)	24.94	19.95
50-7568	(3)	DOOR WINDOW SEAL-INNER-LH	EXPLORER 95-01 (1)	37.44	29.95	50-7321		DOOR HANDLE-OUTER	"A" EXPLORER 98-01 (2)	24.94	19.95
50-7569		DOOR WINDOW SEAL-INNER-RH	EXPLORER 95-01 (1)	37.44	29.95	50-0545	(15)	RIVET-OUTER HANDLE	EXPLORER 95-01 (4)	.56	.45
50-7570	(4)	DOOR WINDOW SEAL-OUTER-LH	EXPLORER 95-01 (1)	49.94	39.95	50-7405	(16)	DOOR HANDLE SET-CHROME	EXPLORER 98-01 (1)	87.44	69.95
50-7571		DOOR WINDOW SEAL-OUTER-RH	EXPLORER 95-01 (1)	49.94	39.95	50-7796	(17)	DOOR LOCK ACTUATOR	EXPLORER 95-01 (2)	124.94	99.95
50-7354	(5)	REAR VENT WINDOW-LH TINTED EXPLORER	95-01 (1)	49.94	39.95	40-2742	(18)	RIVET	EXPLORER 95-01 (2)	.69	.55
50-7355		REAR VENT WINDOW-RH TINTED EXPLORER	95-01 (1)	49.94	39.95	50-1505	(19)	BUMPER-UPPER DOOR	EXPLORER 95-01 (2)	14.94	11.95
50-7356		RR VENT WINDOW-LH DEEP TINT EXPLORER	95-97 (1)	49.94	39.95	50-1506	(20)	BUMPER-LOWER DOOR	EXPLORER 95-01 (2)	3.69	2.95
50-7357		RR VENT WINDOW-RH DEEP TINT EXPLORER	95-97 (1)	49.94	39.95	50-7840	(21)	REGULATOR-LH POWER	W/O MOTOR 95-01 (1)	74.94	59.95
50-7270	(6)	DOOR LOCK KNOB-BLACK	EXPLORER 95-96 (2)	12.44	9.95	50-7841		REGULATOR-RH POWER	W/O MOTOR 95-01 (1)	74.94	59.95
40-2686	(7)	DOOR LOCK GROMMET-BLACK	EXPLORER 95-01 (2)	2.44	1.95	50-7720	(22)	POWER WINDOW MOTOR-LH	EXPLORER 95-01 (1)	99.94	79.95
						50-7721		POWER WINDOW MOTOR-RH	EXPLORER 95-01 (1)	99.94	79.95

Note: "A" Paint to match.

## Outside Door Handles

Explorer 2002-05

Smooth door handles can be painted to match the color of your vehicle.



50-7324



50-7326



50-7328

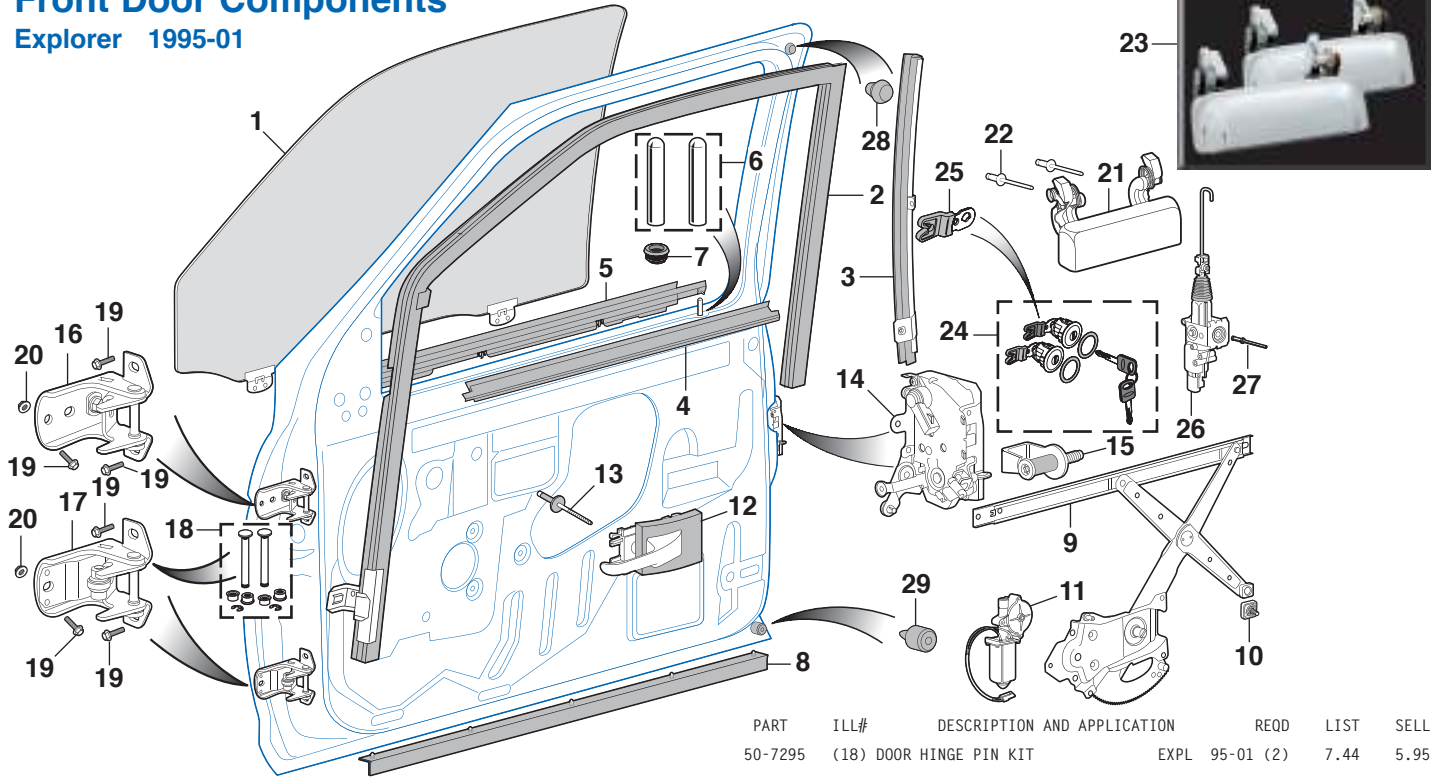


50-7390

PART	DESCRIPTION AND APPLICATION	REQD	LIST	SELL	PART	DESCRIPTION AND APPLICATION	REQD	LIST	SELL
50-7324	FRONT DOOR HANDLE-LH-TEXTURED	EXPLORER 02-05 (1)	37.44	29.95	50-7328	REAR DOOR HANDLE-LH-SMOOTH	EXPLORER 02-05 (1)	37.44	29.95
50-7325	FRONT DOOR HANDLE-RH-TEXTURED	EXPLORER 02-05 (1)	37.44	29.95	50-7329	REAR DOOR HANDLE-RH-TEXTURED	EXPLORER 02-05 (1)	37.44	29.95
50-7326	FRONT DOOR HANDLE-LH-SMOOTH	EXPLORER 02-05 (1)	31.19	24.95	50-7390	REAR DOOR HANDLE-LH-SMOOTH	EXPLORER 02-05 (1)	37.44	29.95
50-7327	FRONT DOOR HANDLE-RH-SMOOTH	EXPLORER 02-05 (1)	31.19	24.95	50-7391	REAR DOOR HANDLE-RH-SMOOTH	EXPLORER 02-05 (1)	37.44	29.95

## Front Door Components

Explorer 1995-01

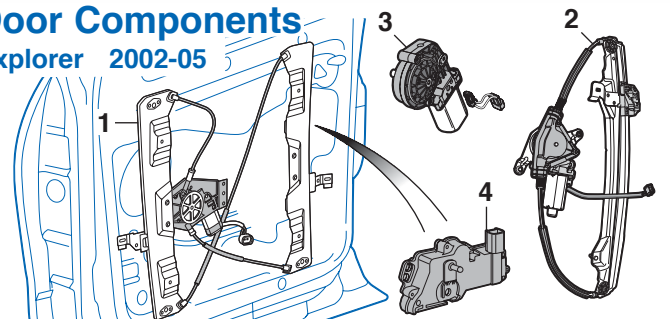


PART	ILL#	DESCRIPTION AND APPLICATION	REQD	LIST	SELL
50-7332	(1)	DOOR GLASS-LH	TINTED 2DR EXPL 95-00 (1)	187.44	149.95
50-7333		DOOR GLASS-RH	TINTED 2DR EXPL 95-00 (1)	187.44	149.95
50-7334		DOOR GLASS-LH	TINTED 4DR EXPL 95-01 (1)	187.44	149.95
50-7335		DOOR GLASS-RH	TINTED 4DR EXPL 95-01 (1)	187.44	149.95
50-7514	(2)	DOOR GLASS RUN-LH	2DR EXPL 95-00 (1)	174.94	139.95
50-7515		DOOR GLASS RUN-RH	2DR EXPL 95-00 (1)	174.94	139.95
50-7516		DOOR GLASS RUN-LH	4DR EXPL 95-01 (1)	174.94	139.95
50-7517		DOOR GLASS RUN-RH	4DR EXPL 95-01 (1)	174.94	139.95
50-7530	(3)	DOOR GLASS CHANNEL-LH	2DR EXPL 95-00 (1)	87.44	69.95
50-7531		DOOR GLASS CHANNEL-RH	2DR EXPL 95-00 (1)	62.44	49.95
50-7532		DOOR GLASS CHANNEL-LH	4DR EXPL 95-01 (1)	87.44	69.95
50-7533		DOOR GLASS CHANNEL-RH	4DR EXPL 95-01 (1)	87.44	69.95
50-7560	(4)	DOOR WINDOW SEAL-INNER-LH	2DR EXPL 95-00 (1)	37.44	29.95
50-7561		DOOR WINDOW SEAL-INNER-RH	2DR EXPL 95-00 (1)	37.44	29.95
50-7562		DOOR WINDOW SEAL-INNER-LH	4DR EXPL 95-01 (1)	37.44	29.95
50-7563		DOOR WINDOW SEAL-INNER-RH	4DR EXPL 95-01 (1)	37.44	29.95
50-7564	(5)	DOOR WINDOW SEAL-OUTER-LH	2DR EXPL 95-00 (1)	62.44	49.95
50-7565		DOOR WINDOW SEAL-OUTER-RH	2DR EXPL 95-00 (1)	62.44	49.95
50-7566		DOOR WINDOW SEAL-OUTER-LH	4DR EXPL 95-01 (1)	68.69	54.95
40-2681	(6)	DOOR LOCK KNOB SET-CHROME	EXPL 95-01 (1)	6.19	4.95
40-2682		DOOR LOCK KNOB SET-BLACK	EXPL 95-01 (1)	9.94	7.95
40-2686	(7)	DOOR LOCK GROMMET-BLACK	EXPL 95-01 (2)	2.44	1.95
50-7660	(8)	DOOR WEATHERSTRIP-LWR DOOR	2DR EXPL 95-00 (2)	49.94	39.95
50-7661		DOOR WEATHERSTRIP-LWR DOOR	4DR EXPL 95-01 (2)	37.44	29.95
50-7816	(9)	WINDOW REGULATOR-LH	POWER EXPL 95-01 (1)	87.44	69.95
50-7817		WINDOW REGULATOR-RH	POWER EXPL 95-01 (1)	87.44	69.95
49-7867	(10)	WINDOW REG ROLLER & NUT	EXPL 95-01 (6)	7.44	5.95
50-7712	(11)	POWER WINDOW MOTOR-LH	EXPL 95-01 (1)	87.44	69.95
50-7713		POWER WINDOW MOTOR-RH	EXPL 95-01 (1)	87.44	69.95
50-7236	(12)	DOOR HANDLE-INNER-LH	EXPL 95-01 (1)	18.69	14.95
50-7237		DOOR HANDLE-INNER-RH	EXPL 95-01 (1)	18.69	14.95
50-0544	(13)	RIVET-INSIDE HANDLE	EXPL 95-01 (2)	1.19	.95
50-7808	(14)	DOOR LATCH-LH	EXPL 95-01 (1)	93.69	74.95
50-7809		DOOR LATCH-RH	EXPL 95-01 (1)	93.69	74.95
50-7780	(15)	DOOR STRIKER	EXPL 95-01 (2)	12.44	9.95
50-7301	(16)	DOOR HINGE-UPPER	EXPL 95-01 (2)	62.44	49.95
50-7309	(17)	DOOR HINGE-LOWER	EXPL 95-01 (2)	87.44	69.95

PART	ILL#	DESCRIPTION AND APPLICATION	REQD	LIST	SELL
50-7295	(18)	DOOR HINGE PIN KIT	EXPL 95-01 (2)	7.44	5.95
40-0277	(19)	BOLT-DOOR HINGE	EXPL 95-01 (12)	1.19	.95
40-0788	(20)	NUT-DOOR HINGE	EXPL 95-01 (4)	1.19	.95
50-7320	(21)	DOOR HANDLE-OUTER "A"	EXPL 95-97 (2)	24.94	19.95
50-7321		DOOR HANDLE-OUTER "A"	EXPL 98-01 (2)	24.94	19.95
50-0545	(22)	RIVET-OUTER HANDLE	EXPL 95-01 (4)	.56	.45
50-7405	(23)	DOOR HANDLE SET-CHROME	EXPL 98-01 (1)	87.44	69.95
47-0940	(24)	LOCK SET W/KEYS-CHROME "B"	EXPL 96-01 (1)	74.94	59.95
47-0941		LOCK SET W/KEYS-BLACK "B"	EXPL 96-01 (1)	74.94	59.95
49-7278	(25)	DOOR LOCK LEVER-LH	EXPL 96-01 (1)	9.94	7.95
49-7279		DOOR LOCK LEVER-RH	EXPL 96-01 (1)	9.94	7.95
50-7794	(26)	DOOR LOCK ACTUATOR	2DR EXPL 95-01 (2)	87.44	69.95
50-7795		DOOR LOCK ACTUATOR	4DR EXPL 95-01 (2)	87.44	69.95
40-2742	(27)	RIVET	EXPL 95-01 (2)	.69	.55
41-1576	(28)	BUMPER-UPPER DOOR	EXPL 95-01 (2)	2.44	1.95
50-1506	(29)	BUMPER-LOWER DOOR	EXPL 95-01 (2)	3.69	2.95

## Door Components

Explorer 2002-05



PART	ILL#	DESCRIPTION AND APPLICATION	REQD	LIST	SELL
50-7832	(1)	REGULATOR-FRONT-LH W/MOTOR EXPLORER	02-05 (1)	124.94	99.95
50-7833		REGULATOR-FRONT-RH W/MOTOR EXPLORER	02-05 (1)	124.94	99.95
50-7838	(2)	REGULATOR-REAR-LH W/MOTOR EXPLORER	02-05 (1)	162.44	129.95
50-7839		REGULATOR-REAR-RH W/MOTOR EXPLORER	02-05 (1)	162.44	129.95
50-7722	(3)	POWER WINDOW MOTOR-FRONT-LH EXPLORER	02-05 (1)	74.94	59.95
50-7723		POWER WINDOW MOTOR-FRONT-RH EXPLORER	02-05 (1)	74.94	59.95
47-0932	(4)	ACTUATOR-DOOR LOCK-LH FRONT EXPLORER	02-05 (1)	49.94	39.95
47-0933		ACTUATOR-DOOR LOCK-RH FRONT EXPLORER	02-05 (1)	49.94	39.95
47-0932		ACTUATOR-DOOR LOCK-LH REAR EXPLORER	02-05 (1)	49.94	39.95
47-0933		ACTUATOR-DOOR LOCK-RH REAR EXPLORER	02-05 (1)	49.94	39.95

Note: "A" Paint to match.

"B" For models without factory anti-theft system.

Premium Chrome Bumper

- Bumper is stamped from new tooling using OE-quality steel for strength and durability.
- Bumper is buffed and polished to achieve a smooth defect-free plating surface.
- The Triple Nickel Plating process creates a brilliant, high-quality mirror-like finish.
- 5 Year Limited Warranty on rust-through perforations.

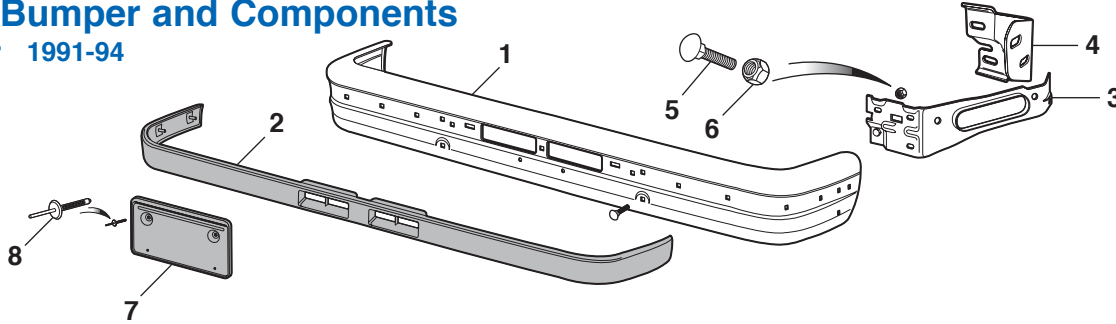


Chrome Bumper and Primer Bumper

- Bumpers used by Collision Damage Repair Shops.
- Chrome Bumper is made with a computer-controlled process assuring consistent thickness of nickel and chrome plating.
- Primer Bumper is finished with an EDP (Electro Deposit Primer) coating that offers a smooth surface for applying your favorite color to match your SUV.
- Economically priced replacements for your rusty, dull, scratched and pitted bumper.
- Save money, call or go online and order your bumper today.

Front Bumper and Components

Explorer 1991-94



\*After the sell price means Oversize Part Charge. Your order will incur a charge of \$20.00 for each oversized part. Additional delivery time required.

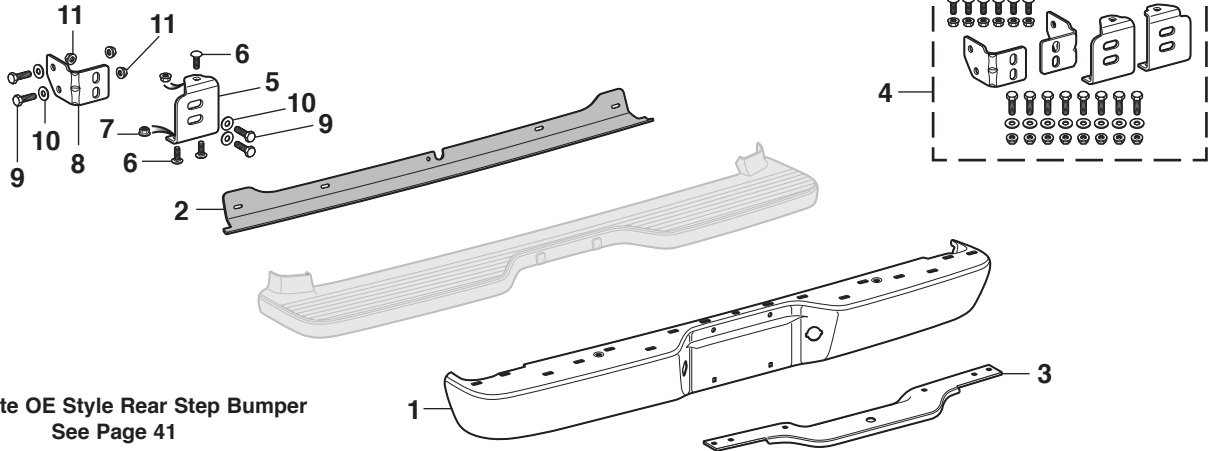
PART	ILL#	DESCRIPTION AND APPLICATION	REQD	LIST	SELL
50-9608	(1)	CHROME BUMPER	"A" EXPLORER 91-94 (1)	162.44	129.95 *
50-9609		PRIMER BUMPER	"A" EXPLORER 91-94 (1)	99.94	79.95 *
50-9610		CHROME BUMPER	"B" EXPLORER 91-94 (1)	162.44	129.95 *
50-9611		PRIMER BUMPER	"B" EXPLORER 91-94 (1)	99.94	79.95 *
50-9649	(2)	HORIZONTAL PAD	EXPLORER 91-94 (1)	37.44	29.95 *
50-0912	(3)	BUMPER ARM-LH	"C" EXPLORER 91-94 (1)	37.44	29.95
50-0913		BUMPER ARM-RH	"C" EXPLORER 91-94 (1)	37.44	29.95
50-0914		BUMPER ARM-LH	"D" EXPLORER 93-94 (1)	37.44	29.95
50-0915		BUMPER ARM-RH	"D" EXPLORER 93-94 (1)	37.44	29.95

PART	ILL#	DESCRIPTION AND APPLICATION	REQD	LIST	SELL
50-0922	(4)	BUMPER PLATE-LH	EXPLORER 91-94 (1)	56.19	44.95
50-0923		BUMPER PLATE-RH	EXPLORER 91-94 (1)	56.19	44.95
50-0220	(5)	BUMPER BOLT-CHROME	EXPLORER 91-94 (4)	6.19	4.95
40-0857	(6)	TORQUE LOCK NUT	EXPLORER 91-94 (4)	1.19	.95
50-0930	(7)	LICENSE BRACKET	EXPLORER 91-94 (1)	18.69	14.95
40-1627	(8)	RIVET-LICENSE BRACKET	EXPLORER 91-94 (2)	.94	.75

Note: "A" Fits models with impact strip.  
 "B" Fits models without impact strip.  
 "C" Does not fit 1993-94 Explorer Limited.  
 "D" For 1993-94 Explorer Limited.

Rear Step Bumper and Components

Explorer 1991-94



Complete OE Style Rear Step Bumper  
 See Page 41

PART	ILL#	DESCRIPTION AND APPLICATION	REQD	LIST	SELL
50-9625	(1)	CHROME STEP BUMPER	EXPLORER 91-94 (1)	312.44	249.95 *
50-9626		PRIMER STEP BUMPER	EXPLORER 91-94 (1)	262.44	209.95 *
50-9647	(2)	SPLASH GUARD	EXPLORER 91-94 (1)	87.44	69.95
50-9646	(3)	HITCH REINFORCEMENT	EXPLORER 91-94 (1)	274.94	219.95
50-0051	(4)	BUMPER MOUNTING KIT	EXPLORER 91-94 (1)	249.94	199.95
50-0924	(5)	BUMPER BRACKET-INNER-LH	EXPLORER 91-94 (1)	74.94	59.95
50-0925		BUMPER BRACKET-INNER-RH	EXPLORER 91-94 (1)	74.94	59.95

\*After the sell price means Oversize Part Charge. Your order will incur a charge of \$20.00 for each oversized part. Additional delivery time required.

PART	ILL#	DESCRIPTION AND APPLICATION	REQD	LIST	SELL
50-0222	(6)	BOLT-BRACKET	EXPLORER 91-94 (6)	2.44	1.95
40-0819	(7)	NUT-BRACKET	EXPLORER 91-94 (6)	1.19	.95
50-0926	(8)	BUMPER BRACKET-OUTER-LH	EXPLORER 91-94 (1)	41.19	32.95
50-0927		BUMPER BRACKET-OUTER-RH	EXPLORER 91-94 (1)	41.19	32.95
40-0298	(9)	BOLT-BRACKET	EXPLORER 91-94 (8)	2.44	1.95
40-0641	(10)	WASHER-BRACKET	EXPLORER 91-94 (8)	.50	.40
40-0840	(11)	NUT-BRACKET	EXPLORER 91-94 (8)	2.44	1.95

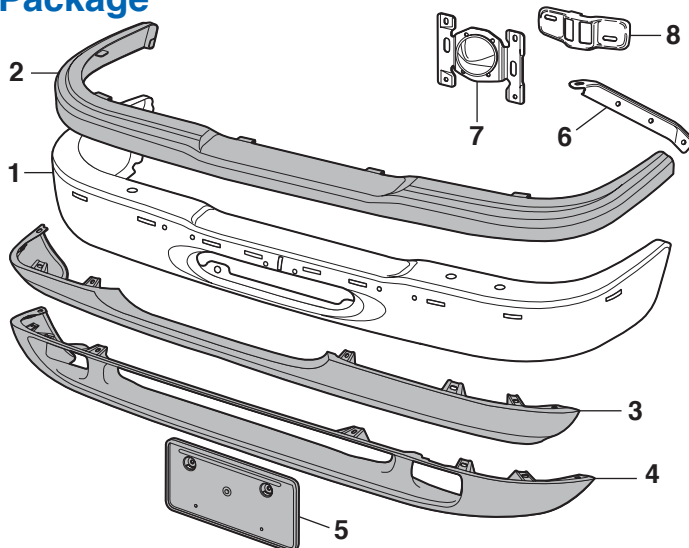


## Front Bumper - Models without Limited Package

Explorer 1995-98

For More Information on Premium,  
Chrome and Primer Bumpers  
See Page 16

PART	ILL#	DESCRIPTION AND APPLICATION	REQD	LIST	SELL
50-9632	(1)	CHROME BUMPER PREMIUM	EXPLORER 95-98 (1)	287.44	229.95 *
50-9633		CHROME BUMPER	EXPLORER 95-98 (1)	187.44	149.95 *
50-9634		PRIMER BUMPER	EXPLORER 95-98 (1)	187.44	149.95 *
50-9041	(2)	TRIM CAP-PAINTABLE	EXPLORER 95-98 (1)	62.44	49.95
50-9070	(3)	AIR DEFLECTOR-BLACK W/O FOG LIGHTS	TEXTURED EXPLORER 95-98 (1)	49.94	39.95
50-9058		AIR DEFLECTOR-DARK GRAY W/O FOG LIGHTS	TEXTURED EXPLORER 95-97 (1)	49.94	39.95
50-9071	(4)	AIR DEFLECTOR-BLACK W/FOG LIGHTS	TEXTURED EXPLORER 95-98 (1)	49.94	39.95
50-9059		AIR DEFLECTOR-GRAY W/FOG LIGHTS	TEXTURED EXPLORER 95-97 (1)	49.94	39.95
50-9018	(5)	LICENSE BRACKET	EXPLORER 95-98 (1)	18.69	14.95
50-0972	(6)	BUMPER BRACE-LH	EXPLORER 95-98 (1)	12.44	9.95
50-0973		BUMPER BRACE-RH	EXPLORER 95-98 (1)	12.44	9.95
50-0974	(7)	BUMPER BRACKET-LH	EXPLORER 95-98 (1)	24.94	19.95
50-0975		BUMPER BRACKET-RH	EXPLORER 95-98 (1)	24.94	19.95
50-0976	(8)	BRACKET-FRAME-LH	EXPLORER 95-98 (1)	62.44	49.95
50-0977		BRACKET-FRAME-RH	EXPLORER 95-98 (1)	62.44	49.95



\*After the sell price means Oversize Part Charge. Your order will incur a charge of \$20.00 for each oversized part. Additional delivery time required.

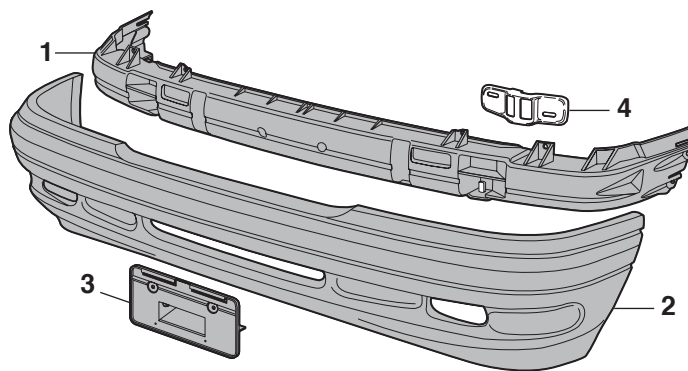
## Front Bumper - Models with Limited Package

Explorer 1995-98

-T after a part number means that part must be shipped Truck Freight. The prepaid order will include a \$125.00 charge for delivery in the 48 contiguous United States. Orders outside of the 48 states will be quoted. Additional delivery time required.

\*After the sell price means Oversize Part Charge. Your order will incur a charge of \$20.00 for each oversized part. Additional delivery time required.

PART	ILL#	DESCRIPTION AND APPLICATION	REQD	LIST	SELL
50-9635	(1)	IMPACT BAR	EXPLORER 95-98 (1)	237.44	189.95 *
50-9072-T	(2)	FRONT BUMPER COVER-PAINTABLE	EXPLORER 95-98 (1)	187.44	149.95
50-9019	(3)	LICENSE BRACKET	EXPLORER 95-98 (1)	37.44	29.95
50-0976	(4)	BRACKET-FRAME-LH	EXPLORER 95-98 (1)	62.44	49.95
50-0977		BRACKET-FRAME-RH	EXPLORER 95-98 (1)	62.44	49.95

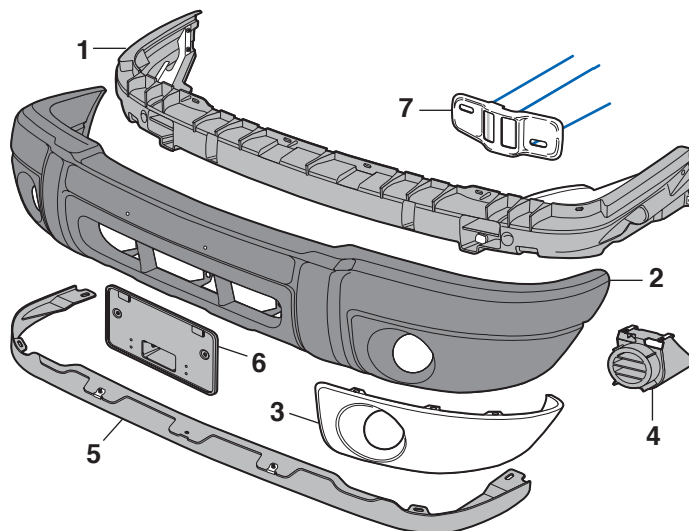


## Front Bumper

Explorer 1999-01

\*After the sell price means Oversize Part Charge. Your order will incur a charge of \$20.00 for each oversized part. Additional delivery time required.

PART	ILL#	DESCRIPTION AND APPLICATION	REQD	LIST	SELL
50-9636	(1)	IMPACT BAR	EXPLORER 99-01 (1)	237.44	189.95 *
50-9073-T	(2)	BUMPER COVER-BLACK	"A" TEXTURED 99-01 (1)	187.44	149.95
50-9074-T		BUMPER COVER-DARK GRAY	"A" TEXTURED 99-01 (1)	187.44	149.95
50-9075-T		BUMPER COVER-PAINTABLE	"A" SMOOTH 99-01 (1)	374.94	299.95
50-9076-T		BUMPER COVER-DARK GRAY	"B" TEXTURED 99-01 (1)	187.44	149.95
50-9077-T		BUMPER COVER-PAINTABLE	"B" SMOOTH 99-01 (1)	187.44	149.95
50-9692	(3)	BUMPER INSERT-LH	CHROME EXPLORER 99-01 (1)	37.44	29.95
50-9693		BUMPER INSERT-RH	CHROME EXPLORER 99-01 (1)	37.44	29.95
50-9694	(4)	FOG LIGHT HOLE COVER-LH	EXPLORER 99-01 (1)	62.44	49.95
50-9695		FOG LIGHT HOLE COVER-RH	EXPLORER 99-01 (1)	62.44	49.95
50-9053	(5)	AIR DEFLECTOR	EXPLORER 99-01 (1)	81.19	64.95
50-9020	(6)	LICENSE BRACKET	EXPLORER 99-01 (1)	27.44	21.95
50-0978	(7)	BRACKET-FRAME-LH	EXPLORER 99-01 (1)	62.44	49.95
50-0979		BRACKET-FRAME-RH	EXPLORER 99-01 (1)	62.44	49.95

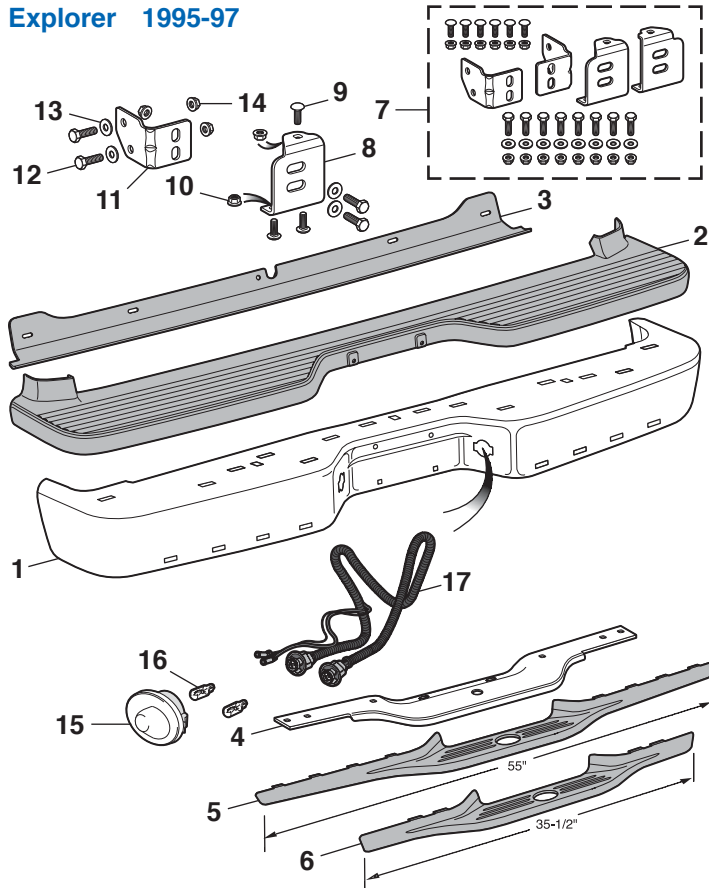


-T after a part number means that part must be shipped Truck Freight. The prepaid order will include a \$125.00 charge for delivery in the 48 contiguous United States. Orders outside of the 48 states will be quoted. Additional delivery time required.

Note: "A" For models without chrome inserts.  
"B" For models with chrome inserts.

## Rear Step Bumper and Components

Explorer 1995-97



For More Information on Chrome and Primer Bumpers  
See Page 16

Complete OE Style Rear Step Bumper  
See Page 41

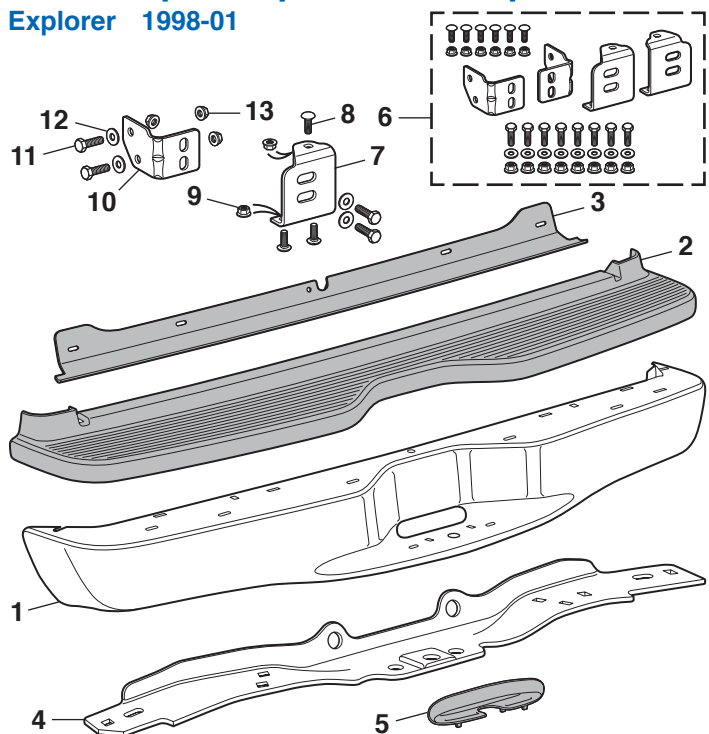
\*After the sell price means Oversize Part Charge. Your order will incur a charge of \$20.00 for each oversized part. Additional delivery time required.

PART	ILL#	DESCRIPTION AND APPLICATION	REQD	LIST	SELL
50-9555	(1)	CHROME STEP BUMPER "A"C" EXPLORER	95-97 (1)	249.94	199.95 *
50-9557		PRIMER STEP BUMPER "A"C" EXPLORER	95-97 (1)	199.94	159.95 *
50-9556		PRIMER STEP BUMPER "B"C" EXPLORER	95-97 (1)	199.94	159.95 *
50-9730	(2)	STEP PAD DARK GRAY EXPLORER	95-97 (1)	124.94	99.95
50-9731		STEP PAD TAN EXPLORER	95-97 (1)	137.44	109.95
50-9647	(3)	SPLASH GUARD EXPLORER	95-97 (1)	87.44	69.95
50-9566	(4)	HITCH REINFORCEMENT EXPLORER	95-97 (1)	237.44	189.95
50-9732	(5)	HITCH PLATE COVER-LONG DARK GRAY EXPLORER	95-97 (1)	124.94	99.95
50-9564	(6)	HITCH PLATE COVER-SHORT GRAY EXPLORER	95-97 (1)	137.44	109.95
50-0051	(7)	BUMPER MOUNTING KIT EXPLORER	95-97 (1)	249.94	199.95
50-0924	(8)	BUMPER BRACKET-INNER-LH EXPLORER	95-97 (1)	74.94	59.95
50-0925		BUMPER BRACKET-INNER-RH EXPLORER	95-97 (1)	74.94	59.95
50-0222	(9)	BOLT-BRACKET EXPLORER	95-97 (6)	2.44	1.95
40-0819	(10)	NUT-BRACKET EXPLORER	95-97 (6)	1.19	.95
50-0926	(11)	BUMPER BRACKET-OUTER-LH EXPLORER	95-97 (1)	41.19	32.95
50-0927		BUMPER BRACKET-OUTER-RH EXPLORER	95-97 (1)	41.19	32.95
40-0298	(12)	BOLT-BRACKET EXPLORER	95-97 (8)	2.44	1.95
40-0641	(13)	WASHER-BRACKET EXPLORER	95-97 (8)	.50	.40
40-0840	(14)	NUT-BRACKET EXPLORER	95-97 (8)	2.44	1.95
50-8482	(15)	LICENSE LAMP LENS-CHROME EXPLORER	95-97 (2)	12.44	9.95
47-4247		LICENSE LAMP LENS-SILVER EXPLORER	95-97 (2)	12.44	9.95
50-8481		LICENSE LAMP LENS-BLACK EXPLORER	95-97 (2)	12.44	9.95
47-0234	(16)	BULB-CLEAR EXPLORER	95-97 (2)	1.19	.95
47-4255	(17)	LICENSE PLATE LAMP HARNESS EXPLORER	95-97 (1)	18.69	14.95

Note: "A" For models with long hitch plate cover.  
"B" For models with short hitch plate cover.  
"C" Must reuse original bumper reinforcement or order new #50-9566.

## Rear Step Bumper and Components

Explorer 1998-01



For More Information on Chrome and Primer Bumpers  
See Page 16

Complete OE Style Rear Step Bumper  
See Page 41

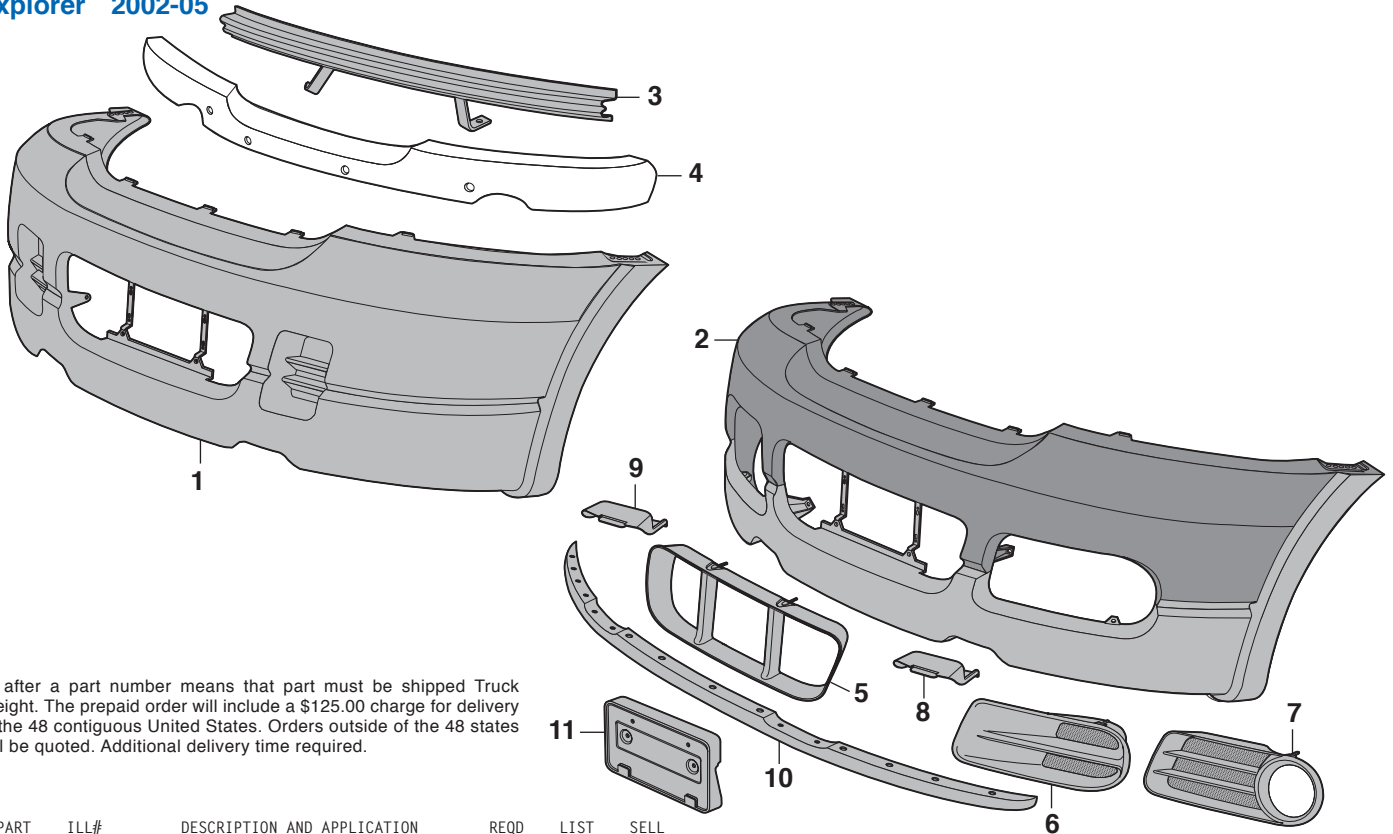
\*After the sell price means Oversize Part Charge. Your order will incur a charge of \$20.00 for each oversized part. Additional delivery time required.

PART	ILL#	DESCRIPTION AND APPLICATION	REQD	LIST	SELL
50-9550	(1)	CHROME STEP BUMPER "A"B" EXPLORER	98-01 (1)	374.94	299.95 *
50-9559		PRIMER STEP BUMPER "A"B" EXPLORER	98-01 (1)	199.94	159.95 *
50-9562	(2)	STEP PAD BLACK EXPLORER	98-01 (1)	149.94	119.95
50-9734		STEP PAD GRAY EXPLORER	98-01 (1)	124.94	99.95
50-9735		STEP PAD TAN EXPLORER	98-01 (1)	137.44	109.95
50-9647	(3)	SPLASH GUARD EXPLORER	98-01 (1)	87.44	69.95
50-9567	(4)	HITCH REINFORCEMENT EXPLORER	98-01 (1)	218.69	174.95
50-9565	(5)	HITCH PLATE COVER BLACK EXPLORER	98-01 (1)	27.44	21.95
50-9736		HITCH PLATE COVER GRAY EXPLORER	98-01 (1)	27.44	21.95
50-9737		HITCH PLATE COVER TAN EXPLORER	98-01 (1)	31.19	24.95
50-0052	(6)	BUMPER MOUNTING KIT EXPLORER	98-01 (1)	212.44	169.95
50-0928	(7)	BUMPER BRACKET-INNER-LH EXPLORER	98-01 (1)	43.69	34.95
50-0929		BUMPER BRACKET-INNER-RH EXPLORER	98-01 (1)	43.69	34.95
50-0222	(8)	BOLT-BRACKET EXPLORER	98-01 (6)	2.44	1.95
40-0819	(9)	NUT-BRACKET EXPLORER	98-01 (6)	1.19	.95
50-0926	(10)	BUMPER BRACKET-OUTER-LH EXPLORER	98-01 (1)	41.19	32.95
50-0927		BUMPER BRACKET-OUTER-RH EXPLORER	98-01 (1)	41.19	32.95
40-0298	(11)	BOLT-BRACKET EXPLORER	98-01 (8)	2.44	1.95
40-0641	(12)	WASHER-BRACKET EXPLORER	98-01 (8)	.50	.40
40-0840	(13)	NUT-BRACKET EXPLORER	98-01 (8)	2.44	1.95

Note: "A" For models without backup parking sensor.  
"B" Must reuse original bumper reinforcement or order new #50-9567.

## Front Bumper and Components

Explorer 2002-05



-T after a part number means that part must be shipped Truck Freight. The prepaid order will include a \$125.00 charge for delivery in the 48 contiguous United States. Orders outside of the 48 states will be quoted. Additional delivery time required.

PART	ILL#	DESCRIPTION AND APPLICATION	REQD	LIST	SELL
<b>Models with Wheel Arch Molding</b>					
50-9078-T	(1)	BUMPER COVER BEIGE "A" EXPLORER	02 (1)	374.94	299.95
50-9079-T		BUMPER COVER GRAY "A" EXPLORER	02 (1)	374.94	299.95
50-9080-T	(2)	BUMPER COVER BEIGE "B" EXPLORER	02 (1)	249.94	199.95
50-9081-T		BUMPER COVER GRAY "B" EXPLORER	02 (1)	249.94	199.95
50-9082-T		BUMPER COVER "C" EXPLORER	02-05 (1)	249.94	199.95
<b>Models without Wheel Arch Molding</b>					
50-9083-T	(1)	BUMPER COVER GRAY "A" EXPLORER	03-04 (1)	374.94	299.95
50-9084-T	(2)	BUMPER COVER GRAY "B" EXPLORER	03-05 (1)	374.94	299.95
<b>Bumper Components</b>					
50-9637	(3)	FRONT BUMPER REINFORCEMENT EXPLORER	02-05 (1)	99.94	79.95
50-9638	(4)	BUMPER FILLER-FOAM EXPLORER	02-05 (1)	74.94	59.95
50-8300	(5)	BUMPER GRILLE-CNTR W/XLS EXPLORER	02-05 (1)	62.44	49.95
50-8302		BUMPER GRILLE-CNTR W/O XLS EXPLORER	02-05 (1)	62.44	49.95
50-8304	(6)	BUMPER GRILLE-LH "D" W/O XLS EXPLORER	02-05 (1)	49.94	39.95
50-8305		BUMPER GRILLE-RH "D" W/O XLS EXPLORER	02-05 (1)	49.94	39.95

PART	ILL#	DESCRIPTION AND APPLICATION	REQD	LIST	SELL
50-8308	(7)	BUMPER GRILLE-LH "E" W/O XLS EXPLORER	02-05 (1)	62.44	49.95
50-8309		BUMPER GRILLE-RH "E" W/O XLS EXPLORER	02-05 (1)	62.44	49.95
50-8312	(8)	TOW HOOK COVER-LH EXPLORER	02-05 (1)	12.44	9.95
50-8313	(9)	TOW HOOK COVER-RH EXPLORER	02-05 (1)	12.44	9.95
50-9056	(10)	AIR DEFLECTOR EXPLORER	02-05 (1)	49.94	39.95
50-9021	(11)	LICENSE BRACKET W/XLS EXPLORER	02-05 (1)	49.94	39.95
50-9022		LICENSE BRACKET W/O XLS EXPLORER	02-05 (1)	43.69	34.95

Note: "A" Fits XLS models.  
 "B" Not for XLS models. Cover is paint to match upper with textured lower.  
 "C" Not for XLS models. Entire cover is paint to match.  
 "D" For models without fog lights.  
 "E" For models with fog lights.

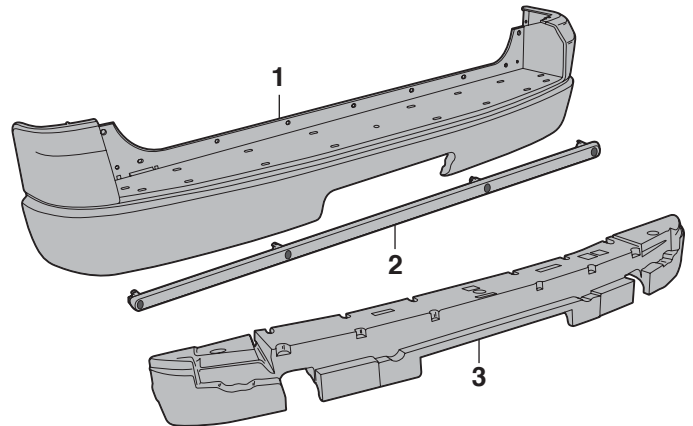
## Rear Bumper Components

Explorer 2002-05

-T after a part number means that part must be shipped Truck Freight. The prepaid order will include a \$125.00 charge for delivery in the 48 contiguous United States. Orders outside of the 48 states will be quoted. Additional delivery time required.

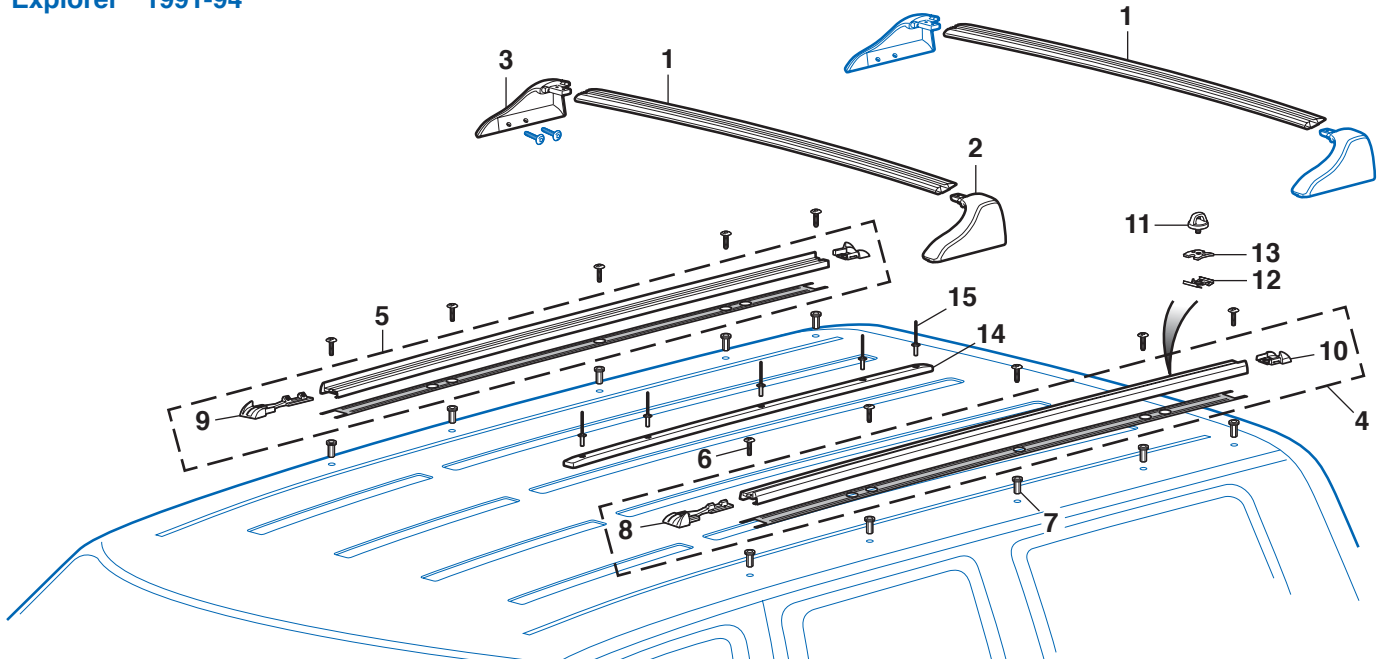
PART	ILL#	DESCRIPTION AND APPLICATION	REQD	LIST	SELL
50-9085-T	(1)	BUMPER COVER-PAINTABLE "A" XLT	02-05 (1)	249.94	199.95
50-9086-T		BUMPER COVER-PAINTABLE "B" XLT	02-05 (1)	249.94	199.95
50-9390	(2)	SENSOR BAR-PAINTABLE "B" EXPLORER	02-05 (1)	62.44	49.95
50-9639	(3)	BUMPER FILLER-FOAM EXPLORER	02-05 (1)	149.94	119.95

Note: "A" For models without backup sensors.  
 "B" For models with backup sensors; sensors not included.



## Roof Carrier Rack Components


Explorer 1991-94




PART	ILL#	DESCRIPTION AND APPLICATION	REQD	LIST	SELL	PART	ILL#	DESCRIPTION AND APPLICATION	REQD	LIST	SELL
50-9353	(1)	SUPPORT BAR-FRONT & REAR	EXPLORER 91-94 (2)	149.94	119.95	50-9360	(8)	RAIL CAP-LH-FRONT	EXPLORER 91-94 (1)	24.94	19.95
50-9354	(2)	SUPPORT ARM-LH-FRONT	EXPLORER 91-94 (1)	74.94	59.95	50-9361	(9)	RAIL CAP-RH-FRONT	EXPLORER 91-94 (1)	24.94	19.95
50-9355	(3)	SUPPORT ARM-RH-FRONT	EXPLORER 91-94 (1)	74.94	59.95	50-9362	(10)	RAIL CAP-LH-REAR	EXPLORER 91-94 (1)	24.94	19.95
50-9358	(4)	ROOF RAIL-LH	EXPLORER 91-94 (1)	174.94	139.95	50-9364	(11)	TIE DOWN LOOP	EXPLORER 91-94 (4)	24.94	19.95
50-9359	(5)	ROOF RAIL-RH	EXPLORER 91-94 (1)	174.94	139.95	50-0830	(12)	SLIDE NUT-TIE DOWN	EXPLORER 91-94 (4)	16.19	12.95
50-0304	(6)	SCREW-RAIL	EXPLORER 91-94(10)	2.44	1.95	50-0831	(13)	RETAINER-SLIDE CLIP	EXPLORER 91-94 (4)	8.69	6.95
50-0515	(7)	WELL NUT-RAIL	EXPLORER 91-94(10)	1.19	.95	50-9367	(14)	ROOF CENTER SLAT	EXPLORER 91-94 (4)	43.69	34.95
						50-0542	(15)	RIVET-SLAT	EXPLORER 91-94(20)	2.44	1.95

## Decals


**Ford Decals**




42-0005



42-0006



42-0004



42-0000

PART	DESCRIPTION AND APPLICATION	REQD	LIST	SELL
42-0005	DECAL-FORD DRAG TEAM 5"	(1)	6.25	5.00
42-0006	DECAL-FORD DRAG TEAM 8"	(1)	7.50	6.00
42-0004	DECAL-FORD GENUINE PARTS	(1)	5.00	4.00
42-0000	DECAL-FORD OVAL BLUE W/WHITE SCRIPT 3-1/2"	(1)	5.00	4.00
42-0011	DECAL-FORD OVAL BLUE W/CLEAR SCRIPT 3-1/2"	(1)	5.00	4.00
42-0001	DECAL-FORD OVAL BLUE W/WHITE SCRIPT 6-1/2"	(1)	5.00	4.00
42-0012	DECAL-FORD OVAL BLUE W/CLEAR SCRIPT 6-1/2"	(1)	5.00	4.00
42-0002	DECAL-FORD OVAL BLUE W/WHITE SCRIPT 9-1/2"	(1)	6.25	5.00
42-0013	DECAL-FORD OVAL BLUE W/CLEAR SCRIPT 9-1/2"	(1)	6.25	5.00
42-0003	DECAL-FORD OVAL BLUE W/WHITE SCRIPT 17"	(1)	7.50	6.00
42-0014	DECAL-FORD OVAL BLUE W/CLEAR SCRIPT 17"	(1)	7.50	6.00

## Deluxe Polishing Kit



Deluxe Polishing Kit is for use on materials ranging from aluminum, brass, copper, iron, steel, stainless steel and chrome, to wood or even plastic. The kit includes: six 4 ounce bars of assorted polishing compounds, 12 assorted buffing wheels with 1/4" diameter shank to allow use with any standard electric drill and instructions with color-coded chart to aid in selecting the correct compound based on the type of material being polished.

Replacement Compound Bars sold separately, see below. The perfect kit for all of your polishing needs! *Call or go online and order yours today!*

PART	DESCRIPTION AND APPLICATION	REQD	LIST	SELL
42-0822	DELUXE POLISHING KIT	(1)	62.44	49.95
42-0823	POLISHING COMPOUND-1LB BLACK	A/R	11.19	8.95
42-0824	POLISHING COMPOUND-1LB BLUE	A/R	11.19	8.95
42-0827	POLISHING COMPOUND-1LB BROWN	A/R	11.19	8.95
42-0828	POLISHING COMPOUND-1LB GREEN	A/R	11.19	8.95
42-0837	POLISHING COMPOUND-1LB RED	A/R	11.19	8.95
42-0838	POLISHING COMPOUND-1LB WHITE	A/R	11.19	8.95

## Paintucation Kevin Tetz Paintucation DVDs

**Paint Your Own Car II:** An updated version of the popular "Paint Your Own Car!" Kevin Tetz performs a complete overall paint job, beginning to end, with minor surface repairs. This DVD features in-depth instruction on priming, blocking, sanding and masking techniques, as well as spray gun techniques and training guides. New waterborne basecoat is demonstrated, as well as solvent basecoat, primer surfacer and clearcoat techniques. Hundreds of valuable tips and techniques that are guaranteed to improve the outcome of your project! 110 minutes

42-0245 DVD-PAINT YOUR OWN CAR II 37.44 29.95

**Body Shop Basics:** Newly remastered to provide fundamental information about basic tool selection, simple dent repair, blending colors, gun technique, proper safety techniques and tool selection, as well as repairing surface defects. This easy-to-understand guide is the perfect introduction to the world of autobody repair! 90 minutes

42-0247 DVD-BODY SHOP BASICS 37.44 29.95

**Body Panel Replacement:** An essential Paintucation DVD, providing over two hours of instruction. Includes five different panel replacement projects covering welding sheet metal, gapping panels, "old school" leading, door skinning, partial panels, full quarter panel replacement, new sheet metal fitment, metal finishing and the latest panel adhesive, all demonstrated in easy-to-understand detail. Double-sided DVD. 150 minutes

PART	DESCRIPTION	LIST	SELL
42-0246	DVD-BODY PANEL REPLACEMENT	37.44	29.95

**Metal Prep & Rust Repair:** Kevin Tetz demonstrates stripping metal with chemicals and sanders and walks you through a "DIY" rust patch from start to finish. Metal finishing and body filler techniques are shown, as well as surface rust removal, conversion and primer application, with dozens of time- and money-saving tips along the way! 75 minutes

PART	DESCRIPTION	LIST	SELL
42-0248	DVD-METAL PREP&RUST REPAIR	37.44	29.95

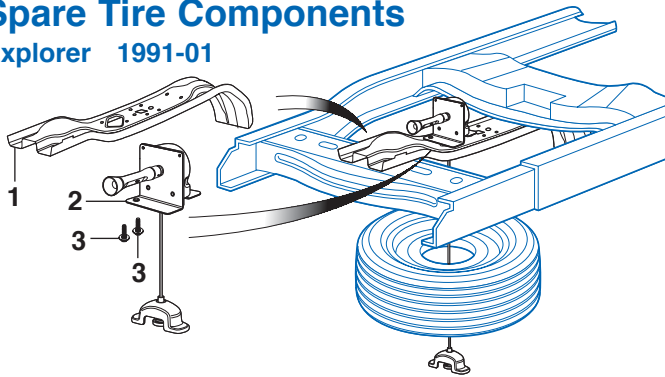


**Color Sanding & Buffing:** Kevin Tetz tells you what to do after the paint is dry and shows the difference between a "show" finish and a daily driver finish. Run repair techniques are shown in detail, as well as reviving old paint. This newly remastered version has updated techniques using state-of-the-art compounds and pneumatic sanding systems designed to take the labor out of achieving a show-quality paint finish! 65 minutes

PART	DESCRIPTION	LIST	SELL
42-0249	DVD-COLOR SANDING&BUFFING	37.44	29.95

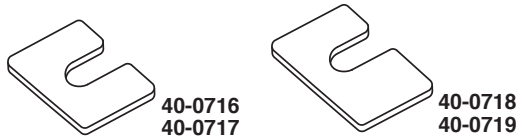
## Spare Tire Components

Explorer 1991-01



PART	ILL#	DESCRIPTION AND APPLICATION	REQD	LIST	SELL
50-0961	(1)	SUPPORT ASSEMBLY	EXPLORER 91-01 (1)	137.44	109.95
50-0970	(2)	LIFT ASSEMBLY	EXPLORER 91-01 (1)	137.44	109.95
50-0216	(3)	BOLT-LIFT ASSEMBLY	EXPLORER 91-01 (2)	1.19	.95

## Body Panel Alignment Shims



PART	DESCRIPTION	THICKNESS	SLOT	A/R	LIST	SELL
40-0716	SHIM	1/16"	3/8"	A/R	.81	.65
40-0717	SHIM	1/8"	3/8"	A/R	.81	.65
40-0718	SHIM	1/16"	1/2"	A/R	.81	.65
40-0719	SHIM	1/8"	1/2"	A/R	.81	.65

## Spot Weld Cutter



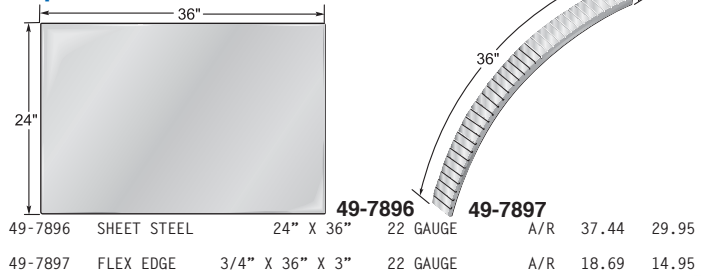
48-1207

Quickly drills out spot welds on doors, fenders, floor pans, rocker panels, etc. Features 1/4" arbor and a double-ended 3/8" diameter cutting blade with a retractable pilot to ensure accurate cuts without damage to the underlying panel.

48-1207 SPOT WELD CUTTER-3/8" 16.19 12.95

## Sheet Metal and Flex Edge

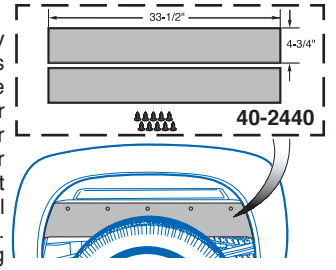
Explorer 1991-05



PART	DESCRIPTION	SIZE	GAUGE	A/R	LIST	SELL
49-7896	SHEET STEEL	24" X 36"	22	A/R	37.44	29.95
49-7897	FLEX EDGE	3/4" X 36" X 3"	22	A/R	18.69	14.95

## Body Gap Filler Set

Body Gap Filler Set is a simple way to cover the unsightly gap that's visible between the frame and the body of your SUV. Body Gap Filler Set creates a clean backdrop for your wheels and is also used to cover the opening created by a body lift kit. Made from 3/16" thick industrial rubber for long life and durability. Each piece measures 33-1/2" long by 4-3/4" wide. Must be sized and cut to fit. Drilling is required for installation. Includes mounting hardware and installation instructions.



40-2440 BODY GAP FILLER SET-REAR (1) 24.94 19.95

## Panel and Trim Removal Tool Set

A softer approach to working on delicate interior and exterior parts. This 5-piece Panel and Trim Removal Tool Set can be used to remove interior and exterior trim, fasteners, moldings and panels. Constructed of heavy-duty plastic to provide strength and flexibility for the toughest of jobs, yet they will not mar or damage the parts or surrounding finish. Call or go online and order yours today!



48-8245 PANEL AND TRIM TOOL SET-5 PIECE (1) 18.69 14.95

**Steel Body Panels and What to Expect**

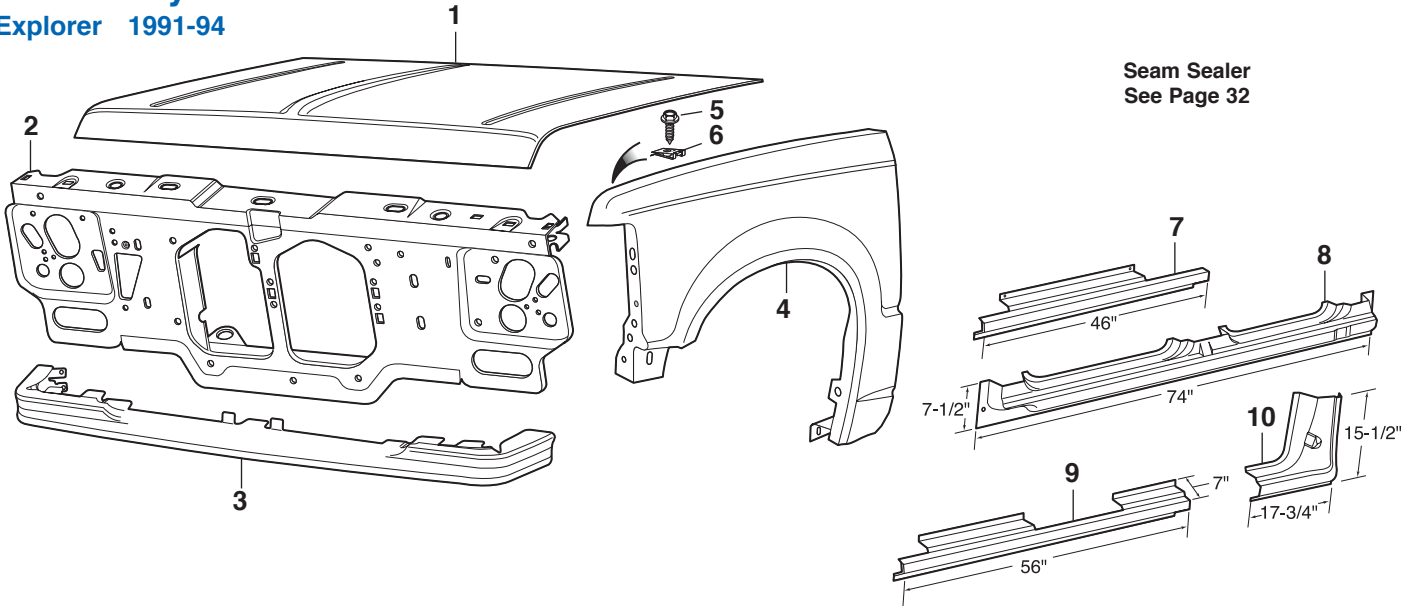
LMC Truck inspects each piece of sheet metal shipped and takes careful steps to package your parts so there is no damage during shipping. Due to the nature of the product, sheet metal is easily damaged and scratches, dents, dings and other imperfections are normal and not considered damaged. These kinds of imperfections should be expected and can be easily fixed during installation and the paint preparation, sanding and priming stages of your restoration. It is recommended you inspect all sheet metal that is delivered to you before the delivery driver leaves. Test fitting of all panels before installation is recommended and the use of alignment shims and other adjustments during the install may be required.

\*After the sell price means Oversize Part Charge. Your order will incur a charge of \$20.00 for each oversized part. Additional delivery time required.

-T after a part number means that part must be shipped Truck Freight. The prepaid order will include a \$125.00 charge for delivery in the 48 contiguous United States. Orders outside of the 48 states will be quoted. Additional delivery time required.

**Steel Body Parts**

Explorer 1991-94



Seam Sealer  
See Page 32

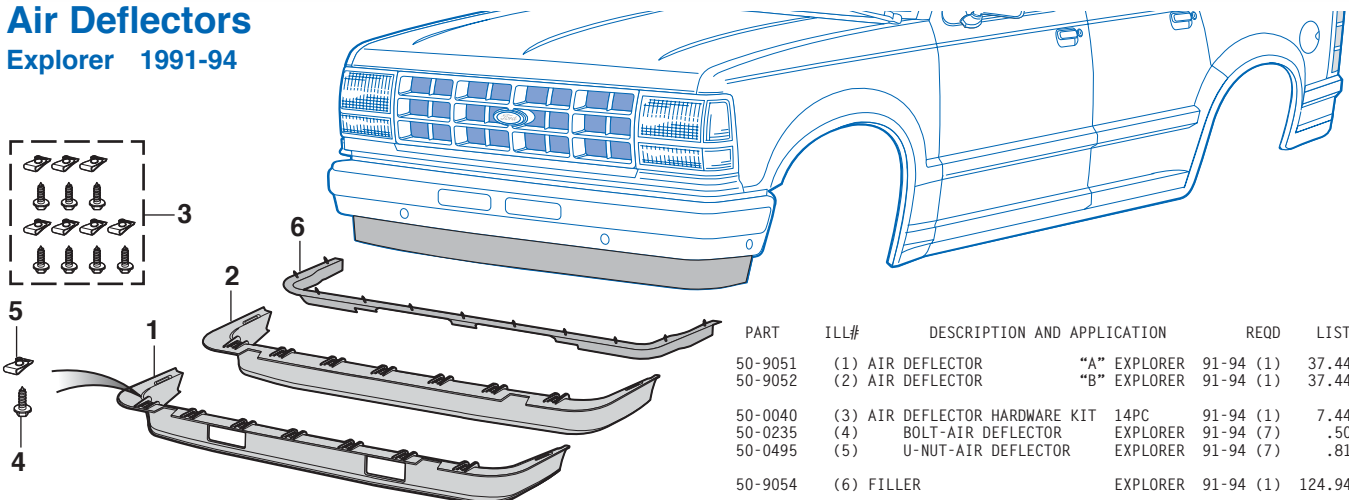
PART	ILL#	DESCRIPTION AND APPLICATION	REQD	LIST	SELL
50-9912-T	(1)	HOOD	EXPLORER 91-94 (1)	124.94	99.95
50-9902-T	(2)	RADIATOR SUPPORT	EXPLORER 91-94 (1)	124.94	99.95
50-9057	(3)	STONE DEFLECTOR-UPPER	"A" EXPLORER 91-94 (1)	37.44	29.95
50-9924-T	(4)	FRONT FENDER-LH	EXPLORER 91-92 (1)	62.44	49.95
50-9925-T		FRONT FENDER-RH	EXPLORER 91-92 (1)	62.44	49.95
50-9926-T		FRONT FENDER-LH	"B" 2 DOOR 93-94 (1)	74.94	59.95
50-9927-T		FRONT FENDER-RH	"B" 2 DOOR 93-94 (1)	74.94	59.95
50-9928-T		FRONT FENDER-LH	"B" 4 DOOR 93-94 (1)	62.44	49.95
50-9929-T		FRONT FENDER-RH	"B" 4 DOOR 93-94 (1)	62.44	49.95
50-0235	(5)	BOLT-UPPER FENDER	EXPLORER 91-94 (8)	.50	.40
50-0490	(6)	U-NUT-UPPER FENDER	EXPLORER 91-94 (8)	1.19	.95

PART	ILL#	DESCRIPTION AND APPLICATION	REQD	LIST	SELL
50-9808	(7)	ROCKER PANEL-LH	2DR EXPLORER 91-94 (1)	49.94	39.95
50-9809		ROCKER PANEL-RH	2DR EXPLORER 91-94 (1)	49.94	39.95
50-9810	(8)	ROCKER PANEL-LH	4DR EXPLORER 91-94 (1)	74.94	59.95 *
50-9811		ROCKER PANEL-RH	4DR EXPLORER 91-94 (1)	74.94	59.95 *
50-9812	(9)	ROCKER PANEL-LH SLIP ON	4DR EXPLORER 91-94 (1)	43.69	34.95
50-9813		ROCKER PANEL-RH SLIP ON	4DR EXPLORER 91-94 (1)	43.69	34.95
50-9820	(10)	ROCKER PANEL EXT-LH-RR	4DR EXPLORER 91-94 (1)	62.44	49.95
50-9821		ROCKER PANEL EXT-RH-RR	4DR EXPLORER 91-94 (1)	62.44	49.95

Note: "A" Does not fit Limited Edition models.  
"B" With Wheel Arch Molding holes.

**Air Deflectors**

Explorer 1991-94

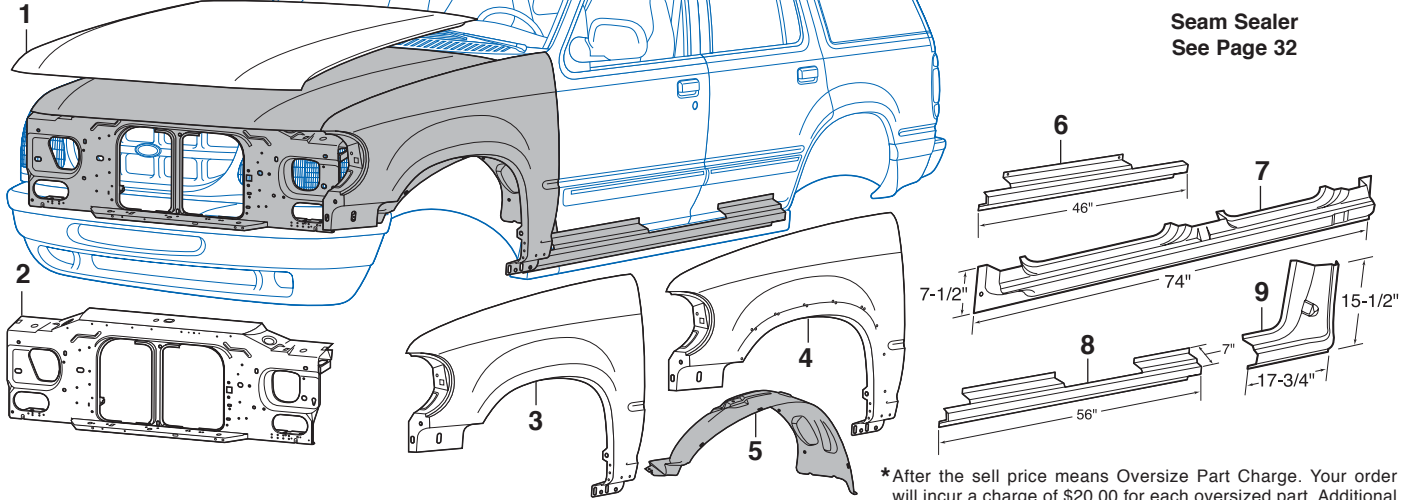


PART	ILL#	DESCRIPTION AND APPLICATION	REQD	LIST	SELL
50-9051	(1)	AIR DEFLECTOR	"A" EXPLORER 91-94 (1)	37.44	29.95
50-9052	(2)	AIR DEFLECTOR	"B" EXPLORER 91-94 (1)	37.44	29.95
50-0040	(3)	AIR DEFLECTOR HARDWARE KIT 14PC	EXPLORER 91-94 (1)	7.44	5.95
50-0235	(4)	BOLT-AIR DEFLECTOR	EXPLORER 91-94 (7)	.50	.40
50-0495	(5)	U-NUT-AIR DEFLECTOR	EXPLORER 91-94 (7)	.81	.65
50-9054	(6)	FILLER	EXPLORER 91-94 (1)	124.94	99.95

Note: "A" With Fog Light holes.  
"B" Without Fog Light holes.

## Front Steel Body Parts

Explorer 1995-01



Seam Sealer  
See Page 32

PART	ILL#	DESCRIPTION AND APPLICATION	REQD	LIST	SELL
50-9917-T	(1)	HOOD	EXPLORER 95-01 (1)	249.94	199.95
50-9906-T	(2)	RADIATOR SUPPORT	EXPLORER 95-01 (1)	187.44	149.95
50-9872-T	(3)	FRONT FENDER-LH	"A" 2DR EXPLORER 95-00 (1)	187.44	149.95
50-9873-T		FRONT FENDER-RH	"A" 2DR EXPLORER 95-00 (1)	187.44	149.95
50-9874-T	(4)	FRONT FENDER-LH	"B" 2DR EXPLORER 95-00 (1)	187.44	149.95
50-9875-T		FRONT FENDER-RH	"B" 2DR EXPLORER 95-00 (1)	187.44	149.95
50-9870-T	(3)	FRONT FENDER-LH	"C" 4DR EXPLORER 95-01 (1)	187.44	149.95
50-9871-T		FRONT FENDER-RH	"C" 4DR EXPLORER 95-01 (1)	187.44	149.95
50-9874-T	(4)	FRONT FENDER-LH	"D" 4DR EXPLORER 95-98 (1)	187.44	149.95
50-9875-T		FRONT FENDER-RH	"D" 4DR EXPLORER 95-98 (1)	187.44	149.95
50-9876-T		FRONT FENDER-LH	"D" 4DR EXPLORER 99-01 (1)	187.44	149.95
50-9877-T		FRONT FENDER-RH	"D" 4DR EXPLORER 99-01 (1)	187.44	149.95

Note: "A" For models with standard fender molding.  
"B" For models with large fender molding.

\*After the sell price means Oversize Part Charge. Your order will incur a charge of \$20.00 for each oversized part. Additional delivery time required.

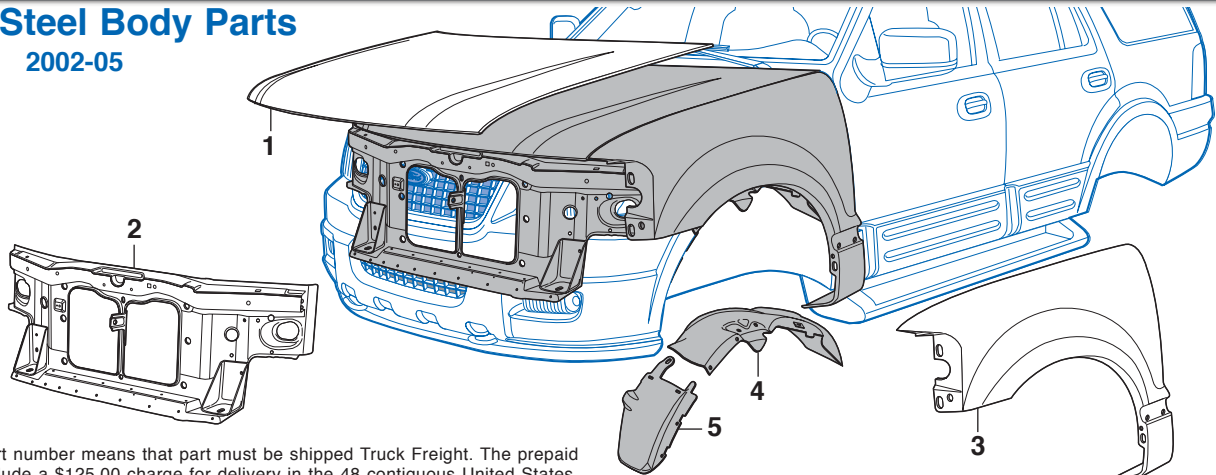
-T after a part number means that part must be shipped Truck Freight. The prepaid order will include a \$125.00 charge for delivery in the 48 contiguous United States. Orders outside of the 48 states will be quoted. Additional delivery time required.

50-9974	(5)	FENDER LINER-LH	EXPLORER 95-01 (1)	24.94	19.95
50-9975		FENDER LINER-RH	EXPLORER 95-01 (1)	24.94	19.95
50-9808	(6)	ROCKER PANEL-LH	2DR EXPLORER 95-00 (1)	49.94	39.95
50-9809		ROCKER PANEL-RH	2DR EXPLORER 95-00 (1)	49.94	39.95
50-9810	(7)	ROCKER PANEL-LH	4DR EXPLORER 95-01 (1)	74.94	59.95 *
50-9811		ROCKER PANEL-RH	4DR EXPLORER 95-01 (1)	74.94	59.95 *
50-9812	(8)	ROCKER PANEL-LH SLIP ON	4DR EXPLORER 95-01 (1)	43.69	34.95
50-9813		ROCKER PANEL-RH SLIP ON	4DR EXPLORER 95-01 (1)	43.69	34.95
50-9820	(9)	ROCKER PANEL EXT-LH-RR	4DR EXPLORER 95-01 (1)	62.44	49.95
50-9821		ROCKER PANEL EXT-RH-RR	4DR EXPLORER 95-01 (1)	62.44	49.95

Note: "C" For models without fender molding.  
"D" For models with fender molding.

## Front Steel Body Parts

Explorer 2002-05



-T after a part number means that part must be shipped Truck Freight. The prepaid order will include a \$125.00 charge for delivery in the 48 contiguous United States. Orders outside of the 48 states will be quoted. Additional delivery time required.

PART	ILL#	DESCRIPTION AND APPLICATION	REQD	LIST	SELL
50-9908-T	(1)	HOOD-STEEL	EXPLORER 02-05 (1)	249.94	199.95
50-9909-T		HOOD-ALUMINUM	EXPLORER 02-05 (1)	499.94	399.95
50-9907-T	(2)	RADIATOR SUPPORT	EXPLORER 02-05 (1)	187.44	149.95
50-9878-T	(3)	FRONT FENDER-LH	"A" EXPLORER 02-05 (1)	124.94	99.95
50-9879-T		FRONT FENDER-RH	"A" EXPLORER 02-05 (1)	124.94	99.95
50-9880-T		FRONT FENDER-LH	"B" EXPLORER 02-05 (1)	187.44	149.95
50-9881-T		FRONT FENDER-RH	"B" EXPLORER 02-05 (1)	187.44	149.95

50-9862	(4)	FENDER LINER-UPPER-LH	EXPLORER 02-05 (1)	24.94	19.95
50-9863		FENDER LINER-UPPER-RH	EXPLORER 02-05 (1)	24.94	19.95
50-9866	(5)	FENDER LINER-LOWER-LH	"A" EXPLORER 02-05 (1)	24.94	19.95
50-9867		FENDER LINER-LOWER-RH	"A" EXPLORER 02-05 (1)	24.94	19.95
50-9864		FENDER LINER-LOWER-LH	"B" EXPLORER 02-05 (1)	24.94	19.95
50-9865		FENDER LINER-LOWER-RH	"B" EXPLORER 02-05 (1)	24.94	19.95

Note: "A" For models without fender molding.  
"B" For models with fender molding.

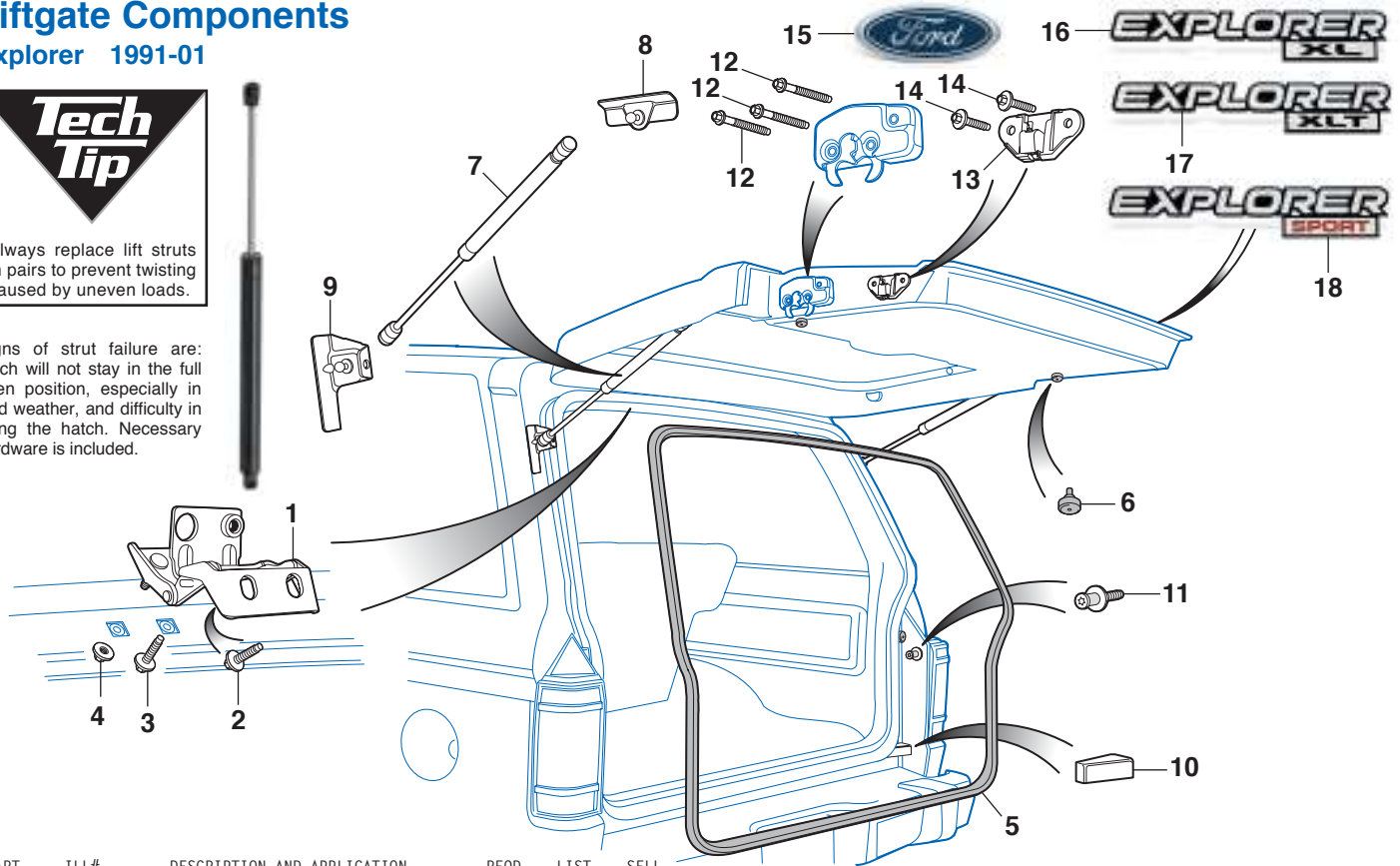
Liftgate Components

Explorer 1991-01

**Tech Tip**

Always replace lift struts in pairs to prevent twisting caused by uneven loads.

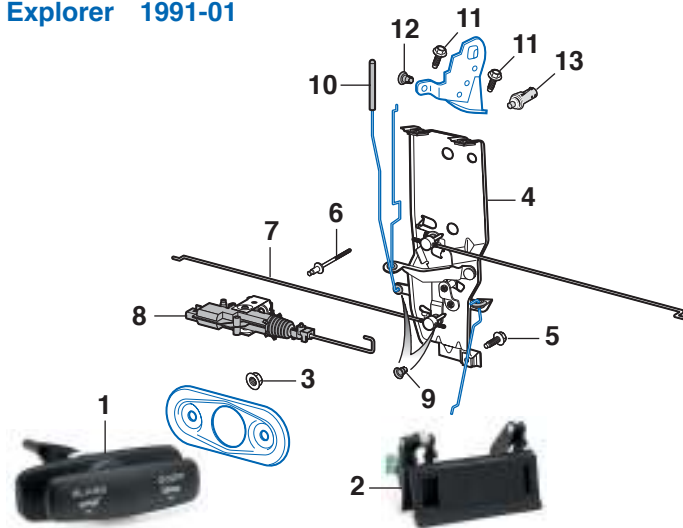
Signs of strut failure are: hatch will not stay in the full open position, especially in cold weather, and difficulty in lifting the hatch. Necessary hardware is included.



PART	ILL#	DESCRIPTION AND APPLICATION	REQD	LIST	SELL
50-7305	(1)	HINGE-LIFTGATE	EXPLORER 91-01 (2)	74.94	59.95
50-0235	(2)	BOLT-HINGE TO LIFTGATE	EXPLORER 91-01 (4)	.50	.40
50-0236	(3)	BOLT-HINGE TO BODY	EXPLORER 91-01 (2)	4.94	3.95
50-0504	(4)	NUT & WASHER-HINGE TO BODY	EXPLORER 91-01 (2)	3.69	2.95
50-7673	(5)	WEATHERSTRIP-LIFTGATE	EXPLORER 91-01 (1)	149.94	119.95
50-1524	(6)	BUMPER-LIFTGATE	EXPLORER 91-01 (4)	2.44	1.95
50-9540	(7)	STRUT-LIFTGATE	EXPLORER 91-01 (2)	31.19	24.95
50-9551	(8)	BRACKET ON LIFTGATE	EXPLORER 91-01 (2)	137.44	109.95
50-9552	(9)	BRACKET ON BODY-LH	EXPLORER 92-01 (1)	106.19	84.95
50-9553	(9)	BRACKET ON BODY-RH	EXPLORER 92-01 (1)	93.69	74.95
50-9554	(10)	WEDGE-LIFTGATE BODY	EXPLORER 91-01 (2)	16.19	12.95
50-7782	(11)	STRIKER	EXPLORER 91-01 (2)	28.69	22.95
50-0237	(12)	BOLT-LATCH	EXPLORER 91-01 (6)	6.19	4.95
50-7836	(13)	WEDGE & PLATE	EXPLORER 91-01 (2)	18.69	14.95
50-0235	(14)	BOLT-WEDGE & PLATE	EXPLORER 91-01 (4)	.50	.40
50-7190	(15)	LIFTGATE EMBLEM "FORD OVAL"	EXPLORER 91-94 (1)	41.19	32.95
50-7197	(15)	LIFTGATE EMBLEM "FORD OVAL"	EXPLORER 95-97 (1)	27.44	21.95
50-7190	(15)	LIFTGATE EMBLEM "FORD OVAL"	EXPLORER 98-01 (1)	41.19	32.95
50-7172	(16)	LIFTGATE EMBLEM "EXPLORER XL"	91-94 (1)	74.94	59.95
50-7173	(17)	LIFTGATE EMBLEM "EXPLORER XLT"	91-94 (1)	43.69	34.95
50-7174	(18)	LIFTGATE EMBLEM "EXPLORER SPORT"	91-94 (1)	62.44	49.95

Liftgate Latch Components

Explorer 1991-01



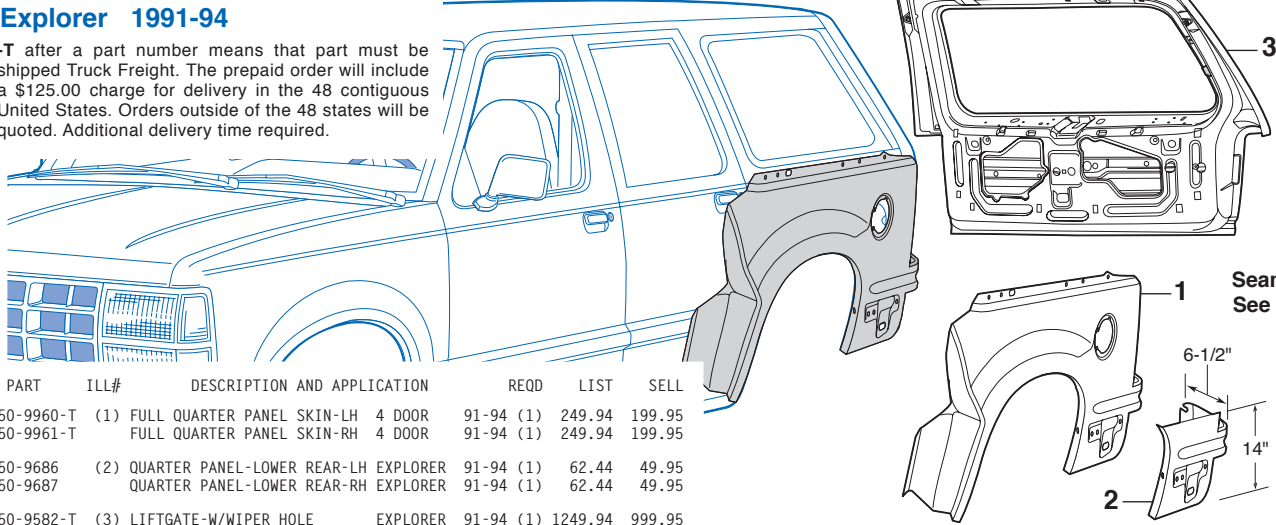
PART	ILL#	DESCRIPTION AND APPLICATION	REQD	LIST	SELL
50-9500	(1)	HANDLE ASSEMBLY-LIFTGATE	EXPLORER 91-97 (1)	37.44	29.95
50-9504	(2)	HANDLE ASSEMBLY-LIFTGATE	EXPLORER 98-01 (1)	28.69	22.95
40-0802	(3)	NUT-HANDLE	EXPLORER 91-97 (2)	.56	.45
50-7830	(4)	LATCH CONTROL ASSEMBLY	EXPLORER 91-97 (1)	87.44	69.95
50-0235	(5)	BOLT-LATCH CONTROL	EXPLORER 91-97 (3)	.50	.40
50-0540	(6)	RIVET-LATCH CONTROL	EXPLORER 91-97 A/R	2.44	1.95
50-7845	(7)	LATCH RELEASE ROD	EXPLORER 91-97 (2)	41.19	32.95
50-7794	(8)	POWER LOCK ACTUATOR	EXPLORER 91-01 (1)	87.44	69.95
50-7798	(8)	POWER LOCK ACTUATOR	EXPLORER 98-01 (1)	87.44	69.95
40-1609	(9)	RETAINER-ACTUATOR ROD	EXPLORER 91-01 (2)	2.44	1.95
50-7860	(10)	KNOB-TAILGATE LATCH	EXPLORER 91-97 (1)	18.69	14.95
50-0235	(11)	BOLT-WINDOW LATCH-CONTROL	EXPLORER 91-97 (2)	.50	.40
40-1609	(12)	RETAINER-WINDOW LATCH ROD	EXPLORER 91-01 (2)	2.44	1.95
50-8110	(13)	SWITCH-WARNING INDICATOR	EXPLORER 91-94 (1)	16.19	12.95



## Steel Body Parts

### Explorer 1991-94

-T after a part number means that part must be shipped Truck Freight. The prepaid order will include a \$125.00 charge for delivery in the 48 contiguous United States. Orders outside of the 48 states will be quoted. Additional delivery time required.



Seam Sealer  
See Page 32

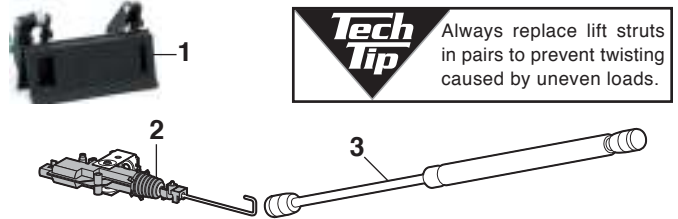
PART	ILL#	DESCRIPTION AND APPLICATION	REQD	LIST	SELL
50-9960-T	(1)	FULL QUARTER PANEL SKIN-LH 4 DOOR	91-94 (1)	249.94	199.95
50-9961-T	(1)	FULL QUARTER PANEL SKIN-RH 4 DOOR	91-94 (1)	249.94	199.95
50-9686	(2)	QUARTER PANEL-LOWER REAR-LH EXPLORER	91-94 (1)	62.44	49.95
50-9687	(2)	QUARTER PANEL-LOWER REAR-RH EXPLORER	91-94 (1)	62.44	49.95
50-9582-T	(3)	LIFTGATE-W/WIPER HOLE EXPLORER	91-94 (1)	1249.94	999.95

## Liftgate Components

### Explorer 2002-05

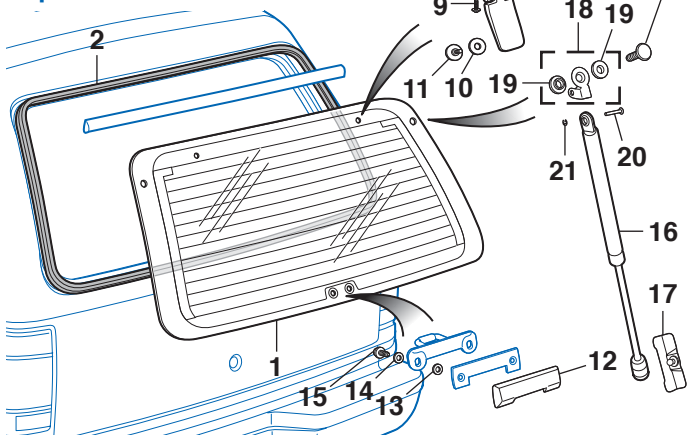
Signs of strut failure are: liftgate or window will not stay in the full open position, especially in cold weather, and difficulty in lifting the liftgate or window. Necessary hardware is included.

50-7392	(1)	LIFTGATE HANDLE ASSEMBLY	EXPLORER 02-05 (1)	28.69	22.95
50-7798	(2)	POWER LOCK ACTUATOR	EXPLORER 02-03 (1)	87.44	69.95
50-9547	(3)	STRUT-LIFTGATE	EXPLORER 02-05 (2)	37.44	29.95
50-9548	(3)	STRUT-REAR WINDOW	EXPLORER 02-05 (2)	37.44	29.95

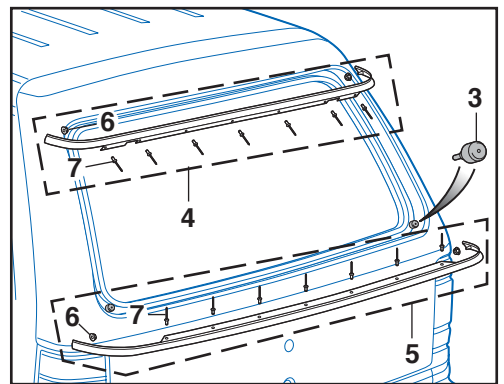


## Rear Window and Components

### Explorer 1991-01



Signs of strut failure are: hatch will not stay in the full open position, especially in cold weather, and difficulty in lifting the hatch. Necessary hardware is included.



\*After the sell price means Oversize Part Charge. Your order will incur a charge of \$20.00 for each oversized part. Additional delivery time required.

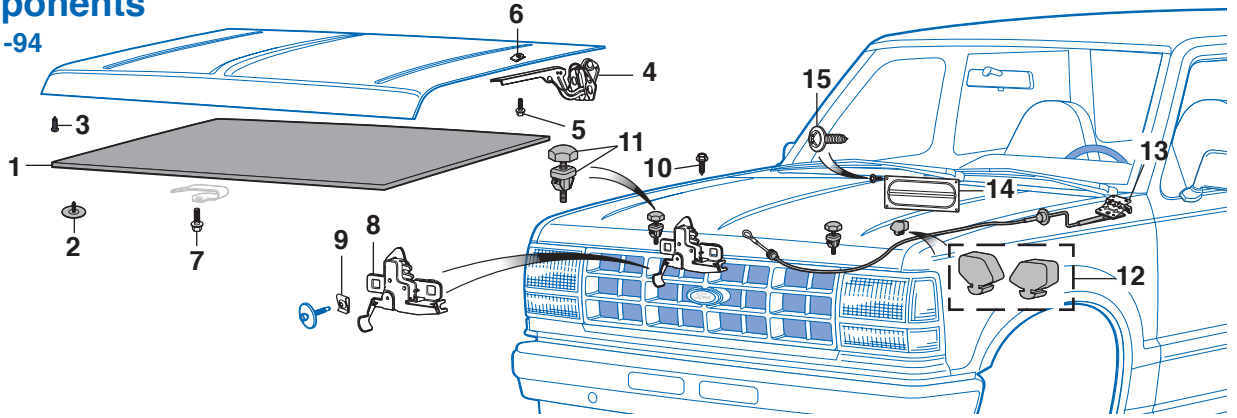
PART	ILL#	DESCRIPTION AND APPLICATION	REQD	LIST	SELL
50-9440	(1)	REAR WINDOW TINTED "A" EXPLORER	91-92 (1)	187.44	149.95 *
50-9441	(1)	REAR WINDOW TINTED "A" EXPLORER	93-97 (1)	174.94	139.95 *
50-9442	(1)	REAR WINDOW DEEP TINT "A" EXPLORER	91-92 (1)	174.94	139.95 *
50-9443	(1)	REAR WINDOW DEEP TINT "A" EXPLORER	93-97 (1)	174.94	139.95 *
50-9444	(1)	REAR WINDOW TINTED "B" EXPLORER	91-97 (1)	212.44	169.95 *
50-9447	(1)	REAR WINDOW TINTED EXPLORER	98-01 (1)	249.94	199.95 *
50-9445	(1)	REAR WINDOW TINT HEATED EXPLORER	98-01 (1)	249.94	199.95 *
50-9446	(1)	REAR WINDOW DEEP TINT EXPLORER	98-01 (1)	249.94	199.95 *
50-7674	(2)	WEATHERSTRIP-REAR WINDOW EXPLORER	91-97 (1)	99.94	79.95
41-1598	(3)	BUMPER-LIFTGATE GLASS EXPLORER	91-97 (2)	1.19	.95

Note: "A" For models with rear window wiper.  
"B" For models without rear window wiper.

PART	ILL#	DESCRIPTION AND APPLICATION	REQD	LIST	SELL
50-9380	(4)	UPPER MOLDING EXPLORER	91-94 (1)	187.44	149.95
50-9381	(5)	LOWER MOLDING EXPLORER	91-97 (1)	199.94	159.95
50-0525	(6)	NUT-MOLDING EXPLORER	91-97 (4)	3.69	2.95
50-0541	(7)	RIVET-MOLDING EXPLORER	91-97(14)	1.19	.95
50-7307	(8)	HINGE-GLASS-RH EXPLORER	91-97 (1)	93.69	74.95
50-0400	(9)	SCREW-HINGE EXPLORER	91-97 (4)	2.44	1.95
50-9546	(10)	SPACER-WINDOW EXPLORER	91-01 (2)	8.69	6.95
50-0405	(11)	SCREW-HINGE EXPLORER	91-01 (2)	22.44	17.95
50-9502	(12)	HANDLE ASSEMBLY-GLASS EXPLORER	91-97 (1)	37.44	29.95
50-9546	(13)	SPACER-WINDOW EXPLORER	91-01 (2)	8.69	6.95
50-9546	(14)	SPACER-WINDOW EXPLORER	91-01 (2)	8.69	6.95
50-0410	(15)	SCREW-HANDLE EXPLORER	91-01 (2)	41.19	32.95
50-9541	(16)	STRUT-LIFTGATE WINDOW EXPLORER	91-01 (2)	24.94	19.95
50-9543	(17)	BRACKET-ON BODY EXPLORER	91-01 (2)	124.94	99.95
50-9544	(18)	BRACKET W/SPACERS-WINDOW-LH EXPLORER	91-01 (1)	49.94	39.95
50-9545	(18)	BRACKET W/SPACERS-WINDOW-RH EXPLORER	91-01 (1)	49.94	39.95
50-9546	(19)	SPACER-WINDOW EXPLORER	91-01 (4)	8.69	6.95
50-0415	(20)	CLEVIS PIN EXPLORER	91-01 (2)	2.44	1.95
50-0625	(21)	RETAINER-PIN EXPLORER	91-01 (2)	1.19	.95
50-0420	(22)	SCREW-BRACKET EXPLORER	91-01 (2)	31.19	24.95

Hood Components

Explorer 1991-94



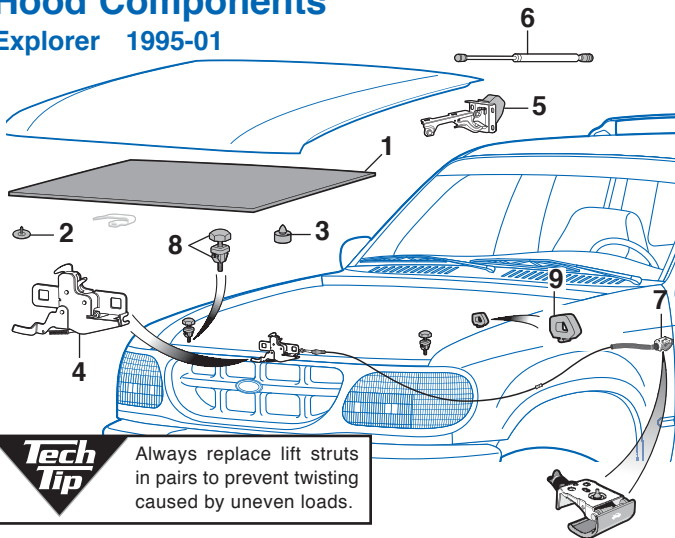
PART	ILL#	DESCRIPTION AND APPLICATION	REQD	LIST	SELL
49-5991	(1)	HOOD INSULATOR "A" EXPLORER 91-94 (1)	49.94	39.95	
50-1518	(2)	RETAINER-INSULATOR EXPLORER 91-94(15)	1.19	.95	
40-1373	(3)	RETAINER-HOOD FRONT SEAL"B" EXPLORER 91-94 (8)	1.19	.95	
50-7910	(4)	HOOD HINGE EXPLORER 91-94 (2)	37.44	29.95	
50-0235	(5)	BOLT-HOOD HINGE EXPLORER 91-94 (4)	.50	.40	
40-0914	(6)	U-NUT-HOOD HINGE EXPLORER 91-94 (1)	.56	.45	
40-0414	(7)	BOLT-HOOD SPRING EXPLORER 91-94 (1)	1.19	.95	

Note: "A" Single non-molded sheet, must be sized and cut to fit. Retainer holes are not pre-punched.  
 "B" For models with air conditioning

PART	ILL#	DESCRIPTION AND APPLICATION	REQD	LIST	SELL
50-7901	(8)	HOOD LATCH EXPLORER 91-94 (1)	31.19	24.95	
40-1355	(9)	CLIP-HOOD LATCH EXPLORER 91-94 (1)	1.19	.95	
50-0235	(10)	BOLT-HOOK ASSEMBLY EXPLORER 91-94 (2)	.50	.40	
41-1626	(11)	HOOD BUMPER RAD SUPPORT EXPLORER 91-94 (2)	6.19	4.95	
41-1580	(12)	HOOD BUMPER SET-FENDER EXPLORER 91-94 (1)	6.19	4.95	
50-1249	(13)	CABLE-HOOD LATCH EXPLORER 91-94 (1)	81.19	64.95	
50-1270	(14)	COWL ACCESS PLATE EXPLORER 91-94 (1)	16.19	12.95	
50-0454	(15)	SCREW-ACCESS PLATE EXPLORER 91-94 (4)	.38	.30	

Hood Components

Explorer 1995-01



**Tech Tip** Always replace lift struts in pairs to prevent twisting caused by uneven loads.

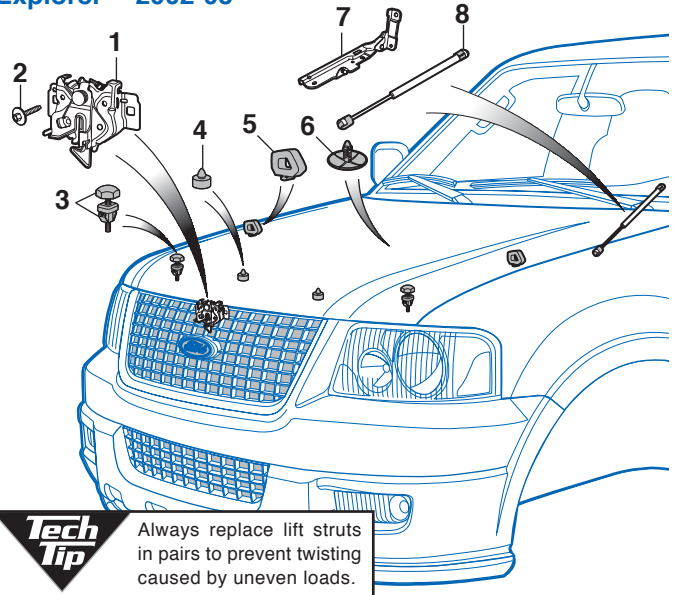
Signs of strut failure: hood will not stay in the full open position, especially in cold weather, and difficulty in closing the hood.

PART	ILL#	DESCRIPTION AND APPLICATION	REQD	LIST	SELL
49-5991	(1)	HOOD INSULATOR "A" EXPLORER 95-01 (1)	49.94	39.95	
50-1518	(2)	RETAINER-INSULATOR EXPLORER 95-01 A/R	1.19	.95	
41-1630	(3)	BUMPER-ON HOOD EXPLORER 98-01 (2)	6.19	4.95	
50-7907	(4)	HOOD LATCH EXPLORER 95-97 (1)	37.44	29.95	
50-7908		HOOD LATCH EXPLORER 98-01 (1)	137.44	109.95	
50-7918	(5)	HOOD HINGE-LH EXPLORER 95-01 (1)	49.94	39.95	
50-7919		HOOD HINGE-RH EXPLORER 95-01 (1)	49.94	39.95	
50-9538	(6)	HOOD LIFT STRUT EXPLORER 95-01 (2)	24.94	19.95	
50-1240	(7)	CABLE & HANDLE-HOOD LATCH EXPLORER 98-01 (1)	37.44	29.95	
41-1626	(8)	BUMPER-RADIATOR SUPPORT EXPLORER 95-01 (2)	6.19	4.95	
50-1504	(9)	HOOD BUMPER-FENDER EXPLORER 95-01 (2)	7.44	5.95	

Note: "A" Single non-molded sheet, must be sized and cut to fit. Retainer holes are not pre-punched.

Hood Components

Explorer 2002-05



**Tech Tip** Always replace lift struts in pairs to prevent twisting caused by uneven loads.

Signs of strut failure: hood will not stay in the full open position, especially in cold weather, and difficulty in closing the hood.

PART	ILL#	DESCRIPTION AND APPLICATION	REQD	LIST	SELL
50-7909	(1)	HOOD LATCH EXPLORER 02-05 (1)	31.19	24.95	
50-0235	(2)	BOLT-LATCH EXPLORER 02-05 (2)	.50	.40	
41-1626	(3)	HOOD BUMPER-RAD SUPPORT EXPLORER 02-05 (2)	6.19	4.95	
41-1630	(4)	HOOD BUMPER-HOOD EXPLORER 02-05 (2)	6.19	4.95	
50-1504	(5)	HOOD BUMPER-FENDER EXPLORER 02-05 (2)	7.44	5.95	
40-1399	(6)	RETAINER-HOOD INSULATION EXPLORER 02-05 A/R	1.56	1.25	
50-7920	(7)	HOOD HINGE-LH EXPLORER 02-05 (1)	49.94	39.95	
50-7921		HOOD HINGE-RH EXPLORER 02-05 (1)	49.94	39.95	
50-9539	(8)	HOOD LIFT STRUT EXPLORER 02-05 (2)	24.94	19.95	

## 3" Body Lift Kit ... Makes Room for Larger Tires

A Body Lift spaces the body away from the frame to make room for larger tires without altering the suspension. Body Lift Kit includes reinforced nylon spacers, compression tested to 50,000 psi, plated grade 5 hardware and steering shaft extension.

PART	DESCRIPTION AND APPLICATION	REQD	LIST	SELL
50-5462	3" BODY LIFT KIT "A" EXPLORER	91-94 (1)	249.94	199.95
50-5465	MANUAL TRANS SHIFT EXTENSION	91-94 (1)	62.44	49.95

Note: "A" Body mount bushings must be drilled out to accept larger bolts. Manual transmission models will require #50-5465 Shift Extension (Mazda transmission only). Steering extension is included in this kit. Front and rear bumper brackets are included in this kit.

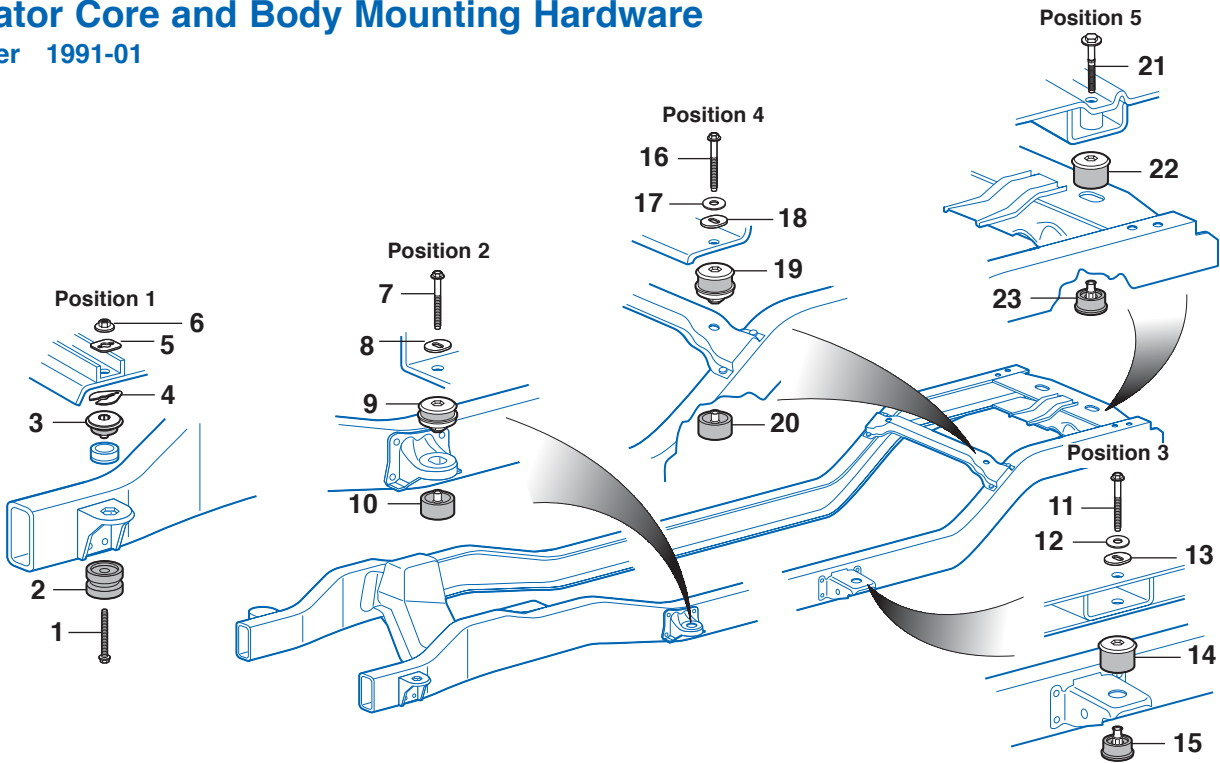
**Read This:** Installation of a body lift will change the center of gravity and the handling characteristics of the vehicle. Because of the higher center of gravity and larger tires, the vehicle will handle and react differently both on and off road. You must drive it safely! Extreme care must be taken to prevent vehicle rollover or loss of control, which could result in serious injury or death. Avoid sudden sharp turns or abrupt maneuvers and always make sure all vehicle occupants have their seat belts fastened.



Since the stock suspension is not affected, and larger tires are normally part of the plan, new shocks are recommended.

## Radiator Core and Body Mounting Hardware

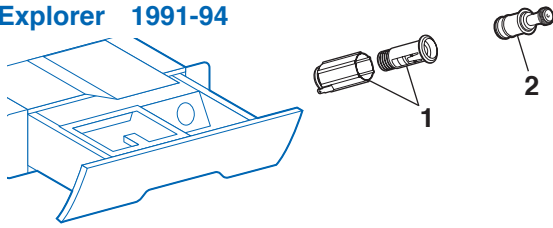
Explorer 1991-01



PART	ILL#	DESCRIPTION AND APPLICATION	REQD	LIST	SELL
<b>Position 1</b>					
40-0284	(1)	MOUNT BOLT-RADIATOR CORE	EXPLORER 91-01 (2)	4.94	3.95
50-1537	(2)	CUSHION-LOWER	EXPLORER 91-01 (2)	18.69	14.95
50-1542	(3)	CUSHION ASSY-UPPER	EXPLORER 95-01 (2)	31.19	24.95
40-0712	(4)	SHIM	EXPLORER 91-01 (2)	3.69	2.95
50-0850	(5)	SPACER	EXPLORER 91-01 (2)	7.44	5.95
50-0812	(6)	TORQUE LOCK NUT	EXPLORER 91-01 (2)	18.69	14.95
<b>Position 2</b>					
50-0251	(7)	MOUNT BOLT-FRONT CAB	EXPLORER 91-94 (2)	11.19	8.95
50-0252	(8)	MOUNT BOLT-FRONT CAB	EXPLORER 95-01 (2)	2.44	1.95
50-0619	(8)	FLAT WASHER	EXPLORER 95-01 (2)	.50	.40
50-0620	(9)	FLAT WASHER	EXPLORER 91-01 (2)	4.94	3.95
50-1543	(9)	CUSHION-UPPER	EXPLORER 91-01 (2)	62.44	49.95
50-1550	(10)	CUSHION ASSEMBLY-LOWER	EXPLORER 91-01 (2)	99.94	79.95
<b>Position 3</b>					
50-0251	(11)	MOUNT BOLT-MID CAB	EXPLORER 91-94 (2)	11.19	8.95
50-0252	(12)	MOUNT BOLT-MID CAB	EXPLORER 95-01 (2)	2.44	1.95
50-0619	(12)	FLAT WASHER	EXPLORER 95-01 (2)	.50	.40
50-0620	(13)	FLAT WASHER	EXPLORER 91-01 (2)	4.94	3.95
50-1553	(14)	CUSHION ASSEMBLY-UPPER	EXPLORER 91-01 (2)	49.94	39.95
50-1557	(15)	CUSHION ASSEMBLY-LOWER	EXPLORER 91-01 (2)	56.19	44.95
<b>Position 4</b>					
50-0251	(16)	MOUNT BOLT-REAR CAB	EXPLORER 91-94 (2)	11.19	8.95
50-0252	(17)	MOUNT BOLT-REAR CAB	EXPLORER 95-01 (2)	2.44	1.95
50-0619	(17)	FLAT WASHER	EXPLORER 95-01 (2)	.50	.40
50-0620	(18)	FLAT WASHER	EXPLORER 91-01 (2)	4.94	3.95
50-1547	(19)	CUSHION ASSEMBLY-UPPER	EXPLORER 91-01 (2)	124.94	99.95
50-1550	(20)	CUSHION ASSEMBLY-LOWER	EXPLORER 91-01 (2)	99.94	79.95
<b>Position 5</b>					
50-0253	(21)	MOUNT BOLT-REAR CAB	EXPLORER 95-01 (2)	37.44	29.95
50-1553	(22)	CUSHION ASSEMBLY-UPPER	EXPLORER 91-01 (2)	49.94	39.95
50-1557	(23)	CUSHION ASSEMBLY-LOWER	EXPLORER 91-01 (2)	56.19	44.95

**Cigarette Lighter**

Explorer 1991-94



PART	ILL#	DESCRIPTION AND APPLICATION	REQD	LIST	SELL
49-6140	(1)	LIGHTER SOCKET & RETAINER EXPLORER	91-94 (1)	6.19	4.95
40-2537	(2)	LIGHTER KNOB & ELEMENT EXPLORER	91-94 (1)	7.44	5.95

**A-Pillar Gauge Pod**



Gauge Pillar Pod offers a unique mounting solution for 2-1/16" gauges. Each pod is custom molded for an exact fit using black ABS plastic that can be painted to match your interior. Pillar Pod mounts directly to the A-pillar without cutting for a great looking gauge display. Gauges sold separately.

PART	DESCRIPTION AND APPLICATION	REQD	LIST	SELL
50-8790	GAUGE POD - DUAL EXPLORER	95-99 (1)	49.94	39.95

**Gauges ... A Functional New Look**

2-1/16" Electric Full Sweep with Smoke Lens



48-8688

48-8689

48-8690

Gauge with vehicle turned off



Gauges include Wiring Harness, Mounting Bracket, Mounting Hardware, Mounting Tape and Installation Instructions.

- Gauges feature an Aluminum Bezel and Smoke Colored Lens which masks the gauge readings when vehicle is turned off.
- When vehicle is turned on the gauges illuminate and broadcast a medium blue color light for daytime or nighttime readability.
- Smooth operating fluorescent red pointer.
- Gauges automatically calibrate whenever the vehicle is started.
- Gauges feature buttons on back to:
  - Set warning levels for minimum and maximum readings.
  - Recall maximum reading.
  - Clear memory.
- Oil Pressure Gauge reads 0-100 PSI, and comes with 1/8" NPT Electric Sender and 1/4" NPT Brass Adaptor.
- Water Temperature Gauge reads 100-260 Degrees Fahrenheit, and comes with 1/8" NPT Electric Sender, 3/8" and 1/2" NPT Brass Adaptors.
- Voltmeter Gauge reads 8-16 Volts.

PART	DESCRIPTION AND APPLICATION	LIST	SELL
48-8688	OIL PRESSURE GAUGE W/SMOKE LENS 0-100 PSI	112.44	89.95
48-8689	WATER TEMPERATURE GAUGE W/SMOKE LENS 100-260 F	112.44	89.95
48-8690	VOLTMETER GAUGE W/SMOKE LENS 8-16 VOLTS	112.44	89.95

**Gauge Panels**



48-8654

48-8655

48-8656

These Steel Chrome and Black Gauge Panels make mounting your gauges quick and easy; includes attaching hardware. Gauges sold separately above.

PART	DESCRIPTION AND APPLICATION	LIST	SELL
48-8653	CHROME 1 GAUGE PANEL FOR 2-1/16" GAUGE	12.44	9.95
48-8654	CHROME 2 GAUGE PANEL FOR 2-1/16" GAUGES	18.69	14.95
48-8655	CHROME 3 GAUGE PANEL FOR 2-1/16" GAUGES	24.94	19.95
48-8656	BLACK 1 GAUGE PANEL FOR 2-1/16" GAUGE	12.44	9.95
48-8657	BLACK 2 GAUGE PANEL FOR 2-1/16" GAUGES	18.69	14.95
48-8658	BLACK 3 GAUGE PANEL FOR 2-1/16" GAUGES	24.94	19.95

2-1/16" Electric Short Sweep



48-8680

48-8681

48-8682



48-8684

48-8685

48-8686



Truck Gauges come with White Bulb, Wired Bulb Socket, Green and Orange Light Filters, Mounting Bracket, Mounting Hardware and Installation Instructions.



Black Gauge with Orange Filter Installed



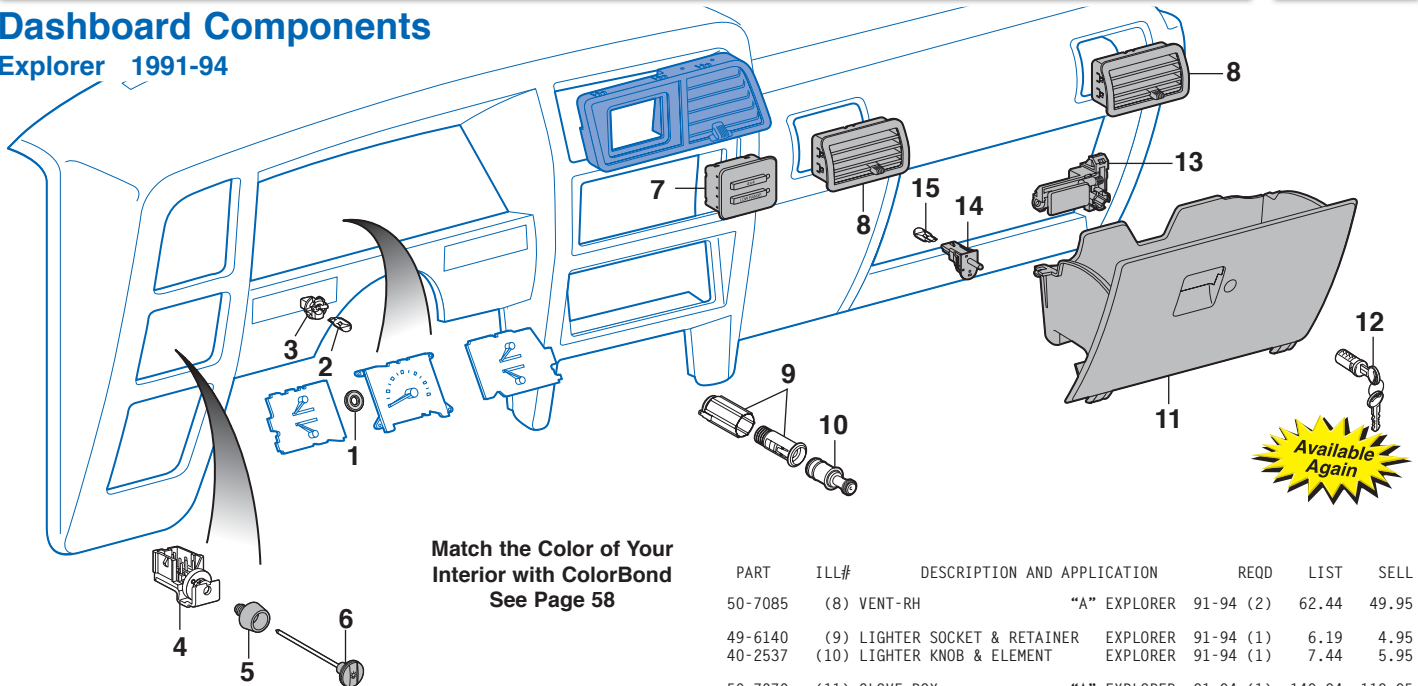
White Gauge with Green Filter Installed

- Gauges are available in 2 color options: Ultra White Face with Chrome Bezel or Black Face with Black Bezel.
- White Perimeter Incandescent Lighting for nighttime readability. You can customize the perimeter light with included green or orange light filters, simply slip filters over white bulb for a custom look.
- Smooth operating pointer.
- Oil Pressure Gauge reads 0-100 PSI, and comes with 1/8" NPT Electric Sender and 1/4" NPT Brass Adaptor.
- Water Temperature Gauge reads 100-250 Degrees Fahrenheit, and comes with 1/8" NPT Electric Sender, 3/8" and 1/2" NPT Brass Adaptors.
- Voltmeter Gauge reads 8-18 Volts.

PART	DESCRIPTION AND APPLICATION	LIST	SELL
48-8680	OIL PRESSURE GAUGE WHITE 0-100 PSI	49.94	39.95
48-8684	OIL PRESSURE GAUGE BLACK 0-100 PSI	37.44	29.95
48-8681	WATER TEMPERATURE GAUGE WHITE 100-250 DEGREES F	37.44	29.95
48-8685	WATER TEMPERATURE GAUGE BLACK 100-250 DEGREES F	37.44	29.95
48-8682	VOLTMETER GAUGE WHITE 8-18 VOLTS	37.44	29.95
48-8686	VOLTMETER GAUGE BLACK 8-18 VOLTS	24.94	19.95

## Dashboard Components

Explorer 1991-94



Match the Color of Your Interior with ColorBond See Page 58

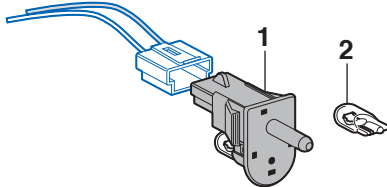
PART	ILL#	DESCRIPTION AND APPLICATION	REQD	LIST	SELL
50-1497	(1)	GROMMET-SPEEDOMETER	EXPLORER 91-94 (1)	19.94	15.95
47-0234	(2)	BULB-CLEAR	EXPLORER 91-94 A/R	1.19	.95
50-8205	(3)	BULB SOCKET	EXPLORER 91-94 A/R	37.44	29.95
50-8131	(4)	HEADLIGHT SWITCH	EXPLORER 91-94 (1)	24.94	19.95
50-8132	(5)	BEZEL-HEADLIGHT SWITCH	EXPLORER 91-94 (1)	12.44	9.95
50-8133	(6)	KNOB-HEADLIGHT SWITCH	EXPLORER 91-94 (1)	43.69	34.95
50-7084	(7)	SELECTOR SWITCH	4WD 91-94 (1)	324.94	259.95

PART	ILL#	DESCRIPTION AND APPLICATION	REQD	LIST	SELL
50-7085	(8)	VENT-RH "A" EXPLORER 91-94	(2)	62.44	49.95
49-6140	(9)	LIGHTER SOCKET & RETAINER	EXPLORER 91-94 (1)	6.19	4.95
40-2537	(10)	LIGHTER KNOB & ELEMENT	EXPLORER 91-94 (1)	7.44	5.95
50-7070	(11)	GLOVE BOX "A" EXPLORER 91-94	(1)	149.94	119.95
47-0709	(12)	GLOVE BOX LOCK CYLINDER	EXPLORER 91-94 (1)	23.69	18.95
49-6137	(13)	GLOVE BOX LATCH-LOCKING	EXPLORER 91-94 (1)	41.19	32.95
50-8495	(14)	GLOVE BOX LIGHT	EXPLORER 91-94 (1)	21.19	16.95
47-0234	(15)	BULB-CLEAR	EXPLORER 91-94 (1)	1.19	.95

Note: "A" Color may vary; paint to match the color of your interior.

## Glove Box Light

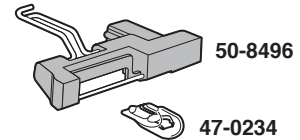
Explorer 1991-94



PART	ILL#	DESCRIPTION AND APPLICATION	REQD	LIST	SELL
50-8495	(1)	GLOVE BOX LIGHT W/BULB	EXPLORER 91-94 (1)	21.19	16.95
47-0234	(2)	BULB-CLEAR	EXPLORER 91-94 (1)	1.19	.95

## Glove Box Light

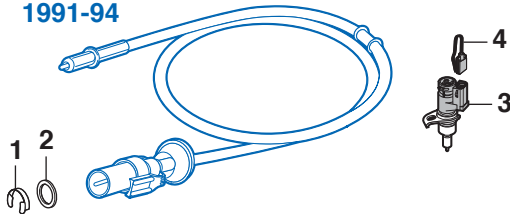
Explorer 1995-01



PART	DESCRIPTION AND APPLICATION	REQD	LIST	SELL
50-8496	GLOVE BOX LIGHT W/BULB	EXPLORER 95-01 (1)	24.94	19.95
47-0234	BULB-CLEAR	EXPLORER 95-01 (1)	1.19	.95

## Speedometer Cable Components and Speed Sensors

Explorer 1991-94

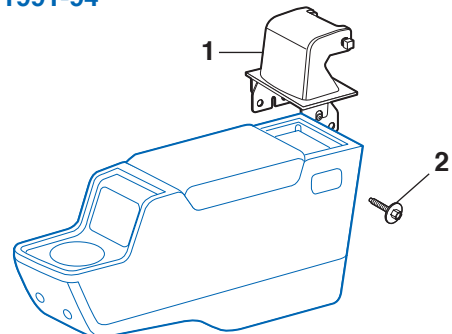


PART	ILL#	DESCRIPTION AND APPLICATION	REQD	LIST	SELL
40-1370	(1)	RETAINER CLIP-GEAR	EXPLORER 91-94 (1)	1.81	1.45
40-1270	(2)	O-RING-GEAR-SPEEDO CABLE	EXPLORER 91-94 (1)	2.44	1.95
47-1362	(3)	SPEED SENSOR	EXPLORER 91 (1)	31.19	24.95
47-1362		SPEED SENSOR "A"	EXPLORER 92 (1)	31.19	24.95
47-1363		SPEED SENSOR "B"	EXPLORER 92-94 (1)	24.94	19.95
47-1369	(4)	SOCKET-SPEED SENSOR	EXPLORER 91-94 (1)	12.44	9.95

Note: "A" All engines with mechanical instrument panel.  
"B" All engines with electronic instrument panel.

## Center Console Bracket

Explorer 1991-94



PART	ILL#	DESCRIPTION AND APPLICATION	REQD	LIST	SELL
50-8800	(1)	CENTER CONSOLE BRACKET "A" EXPLORER 91-94	(1)	49.94	39.95
50-0235	(2)	BOLT-CONSOLE BRACKET	91-94 (4)	.50	.40

Note: "A" Color may vary; paint to match the interior of your vehicle.

**Custom Pedal Pad and Trim**

Explorer 1991-05



**LMC TRUCK EXCLUSIVE**

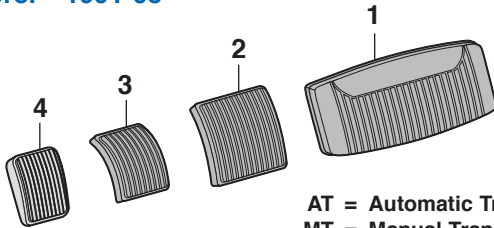
40-2268

**AT = Automatic Transmission**

PART	DESCRIPTION AND APPLICATION	REQD	LIST	SELL
40-2268	PEDAL PAD-BRAKE W/TRIM AT EXPLORER 91-05 (1)	1	18.69	14.95

**Pedal Pads**

Explorer 1991-05

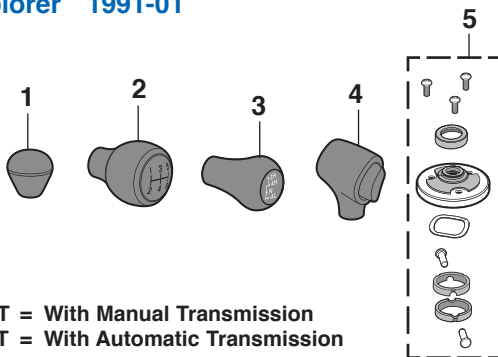


**AT = Automatic Transmission  
MT = Manual Transmission**

PART	ILL#	DESCRIPTION AND APPLICATION	REQD	LIST	SELL
40-2253	(1)	PEDAL PAD-BRAKE AT EXPLORER 91-05 (1)	1	4.94	3.95
50-1412	(2)	PEDAL PAD-BRAKE/CLUTCH MT EXPLORER 91-01 (2)	2	4.94	3.95
50-1430	(3)	PEDAL PAD-PARKING BRAKE EXPLORER 91-92 (1)	1	4.94	3.95
40-2281	(4)	PEDAL PAD-PARKING BRAKE EXPLORER 93-97 (1)	1	4.94	3.95

**Floor Shifter Components**

Explorer 1991-01



**W/MT = With Manual Transmission  
W/AT = With Automatic Transmission**

PART	ILL#	DESCRIPTION AND APPLICATION	REQD	LIST	SELL
<b>Shift Knobs</b>					
40-2630	(1)	SHIFT KNOB "A" EXPLORER 91-01 (1)	1	12.44	9.95
40-2640	(2)	SHIFT KNOB 5 SPD 4.0L EXPLORER 91-01 (1)	1	18.69	14.95
40-2649	(3)	TRANSFER CASE KNOB W/MT EXPLORER 91-95 (1)	1	37.44	29.95
40-2659	(4)	TRANSFER CASE KNOB W/AT EXPLORER 91-01 (1)	1	31.19	24.95
<b>Shift Repair Kit</b>					
40-1913	(5)	SHIFT REPAIR KIT 5SPD MAZDA TRANS 91-94 (1)	1	28.69	22.95

Note: "A" Replacement push-on knob without shift pattern.

**Shelf-It™ ... The Ultimate in Organized Convenience**



Shelf-It™

**Shelf-It™ Available in Black or Tan**

Finally, there's an easy way to organize your SUV. Shelf-It™ is ideal for storing mobile phones, sunglasses, garage door openers, maps and any other valuables you want to keep out of sight, but always within reach. It is made of heavy-duty extruded aluminum and features a durable, soft, velvet-like finish. Shelf-It™ is easy to install; simply remove your sun visors and install the mounting brackets in the existing sun visor holes. Mount Shelf-It™ to the brackets and attach the sun visors to the Shelf-It™ and you're done; no drilling required.

PART	DESCRIPTION AND APPLICATION	REQD	LIST	SELL
50-5103-BL	SHELF-IT "A" BLACK EXPLORER 91-05 (1)	1	99.94	79.95
50-5103-TN	SHELF-IT "A" TAN EXPLORER 91-05 (1)	1	99.94	79.95

Note: "A" Fits models with single sun visors only.

**Fastener Removal Tool**

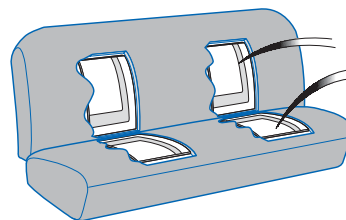


42-0826

Fastener Removal Tool effectively removes the plastic fasteners found on most door panels. Working end is offset for ease of access. Save your panels and yourself from cuts and scrapes with this quality tool. Call or go online and order yours today.

42-0826	FASTENER REMOVAL TOOL	7.44	5.95
---------	-----------------------	------	------

**Seat Heater Kits ... Warm Yourself Up Before Your SUV Warms Up**



48-2588

Seat Heaters are constructed with patented carbon fiber heating elements. Carbon fiber technology allows for quick, consistent and controlled warmth. The heating elements are paper thin and install between any seat cover material and the seat cushion. They are water-resistant and are not affected by damp clothes, spilled beverages or wet pets. Kit includes heating elements for seat back and bottom, three-way switch (Off/Low/High), pre-wired relay harness with fuse and easy-to-follow, fully illustrated instructions.

#48-2588 contains two 11" x 11" heater elements. (One for seat back and one for seat bottom.) Ideal for use in bucket seat applications. #48-2589 contains two 11" x 22" heater elements. (One for seat back and one for seat bottom.) Ideal for use in bench seat applications.

Order two Seat Heater Kits to ensure maximum comfort for the driver's and passenger's seats.

48-2588	HEATER - 11 X 11 ELEMENTS	124.94	99.95
48-2589	HEATER - 11 X 22 ELEMENTS	149.94	119.95

## CodeScout 2500 Code Reader

### For Your Computer Controlled SUV

Is your check engine light on and you don't know why? Have you checked everything under the hood several times and still don't know what is wrong?

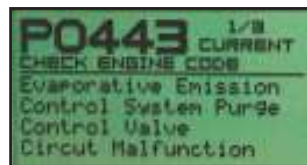
Newer SUVs may look complicated under the hood with a maze of wires, tubes and computer controls. But they are simpler than you think when you have the right tool. The CodeScout Code Reader can tell you what is wrong without even lifting the hood. The CodeScout allows you to plug into your SUV's computer and get the same information as the dealer service technician. Simply plug into the computer connector, punch a few buttons and the CodeScout will tell you what is wrong. If there is a problem detected by the engine computer the CodeScout will retrieve the code from your SUV and tell you what it means in plain English.

Now anytime the check engine light is on you have the ability to diagnose it yourself and decide if you want to fix it or take it to a repair shop. When the problem is fixed, the CodeScout can even reset your check engine light.

This is the fastest and easiest way to diagnose and fix problems on your computer controlled SUV.

#### CodeScout Features and Specifications:

- Multi-line text and graphic display with contrast control.
- Displays current and pending trouble codes in English or Spanish.
- On screen definitions of trouble codes from built-in OBD-II library.
- Displays readiness monitors for emission components evaluation.
- Resets check engine light.
- 4 AA battery powered with data save to review data off vehicle.
- Retains the most currently scanned vehicle's data and configuration.



Includes cables, removable rubber protective boot, printed manual, CD with code descriptions and manual, batteries and soft carrying case.

CodeScout Code Reader can be used for more than just your SUV. Works on all computer controlled domestic OBD-I vehicles 1982-95 and all OBD-II vehicles 1996 and later.



42-1332

PART	DESCRIPTION AND APPLICATION	REQD	LIST	SELL
42-1332	CODESCOUT 2500 CODE READER OBD-I & OBD-II	82-ON (1)	312.44	249.95

## Replacement Cylinder Head

Engineered and tested to exceed original equipment specifications, Replacement Cylinder Head features close tolerance casting and machining for precise fit, providing better performance and reliability; redesigned water jackets for cooler operating temperatures and hardened exhaust inserts.



50-1956

*Cylinder head does not include valvetrain components.*

PART	DESCRIPTION AND APPLICATION	REQD	LIST	SELL
50-1956	CYLINDER HEAD-CAST IRON	EXPLORER 91-93 (2)	374.94	299.95
50-0152	HEAD BOLT KIT	EXPLORER 91-93 (1)	49.94	39.95

## Free Shipping on Orders Over \$1000

For UPS Ground and Truck Freight orders within the 48 Contiguous United States.

Free delivery orders must be placed at one time. We reserve the right to split shipments.



## Remote Starter Switch

A Remote Starter Switch will allow you to start or crank your engine without the assistance of another person. It's ideal for conducting compression tests or bumping your engine to top dead center for valve, distributor or camshaft adjustment work. It's designed with extra long, heavy-duty neoprene leads that have alligator clips with insulated boots. It also features a power tool type trigger switch and grip.



42-1310

PART	DESCRIPTION AND APPLICATION	LIST	SELL
42-1310	REMOTE STARTER SWITCH	24.94	19.95

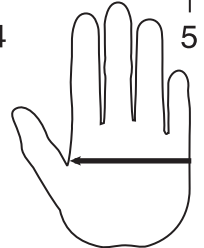
Disposable Black Nitrile Gloves



Tough enough to withstand exposure to grease, solvents and oil, they have three times the chemical and puncture resistance of a comparable thickness vinyl or latex glove. These gloves feature a fully textured finish for better grip and two-ply construction for a comfortable fit. Sold as a box of 100.



**Glove Sizing:**  
Place your hand on a flat ruler with your index finger next to the zero line:



3-1/2" = Medium  
4" = Large  
4-1/2" = X-Large

Keep your hands clean and protected while working on your vehicle and other projects with these Disposable Black Nitrile Gloves. Made from a durable, powder-free 6 mil thick patented material, they offer superior strength and tear-through resistance.

PART	DESCRIPTION	LIST	SELL
42-0542-M	MEDIUM 100 GLOVE PACK	16.19	12.95
42-0542-L	LARGE 100 GLOVE PACK	16.19	12.95
42-0542-1X	X-LARGE 100 GLOVE PACK	16.19	12.95

Sealants, Adhesives and Lubricants



**Loctite Ready Gasket** makes leak-proof gaskets for temperatures from -75°F to 450°F. Blowout resistant, sensor-safe and ideal for sealing differential covers, valve covers, water pumps, thermostat housings and more.

PART	DESCRIPTION	LIST	SELL
42-0817	READY GASKET 4 OZ CAN	18.69	14.95

**Loctite RTV Red** is a high-temperature silicone gasket maker and adhesive. It forms a tough, flexible seal that is resistant to most chemicals without hardening, shrinking or cracking. RTV Red has a temperature range of -75°F to +600°F and is sensor-safe.

PART	DESCRIPTION	LIST	SELL
42-0854	RTV RED 2.7 OZ TUBE	6.19	4.95

**Loctite Viper Lube** is a high-performance synthetic grease that provides superior lubrication and protection on bearings, hinges, latches, linkage, seat tracks, slides, springs and other automotive applications.

PART	DESCRIPTION	LIST	SELL
42-0818	VIPER LUBE 10.1 OZ AEROSOL	7.44	5.95

**Loctite Freeze and Release** instantly freezes rusted and seized fasteners at -45°F. The shock-freeze effect creates microscopic cracks so lubricants can penetrate into the connection, allowing easy separation after 1-2 minutes. Once released, parts remain lubricated and protected from corrosion.

42-0811	FREEZE&RELEASE 13.5 OZ CAN	12.44	9.95
---------	----------------------------	-------	------

**Loctite Spray Adhesive** dries clear with superior bonding strength. Excels at attaching upholstery cloth, carpeting, insulation and has many other uses. Not recommended for use on headliners.

PART	DESCRIPTION	LIST	SELL
42-0798	SPRAY ADHESIVE 10.5 OZ CAN	9.94	7.95

**Loctite Rubberized Undercoating** is a heavy-duty undercoating that seals, protects and insulates frames, floor pans, wheel wells and other body panels. Rubberized for maximum durability.

42-0816	UNDERCOATING 16 OZ AEROSOL	8.69	6.95
---------	----------------------------	------	------

**Loctite Weatherstrip Adhesive** is a strong and flexible waterproof adhesive for bonding all types of rubber weatherstripping. Withstands vibration and extreme temperature variations; dries black.

42-0812	WEATHERSTRIP ADHESIVE 5 OZ	8.69	6.95
---------	----------------------------	------	------

**Loctite Copper Anti-Seize Stick** protects against high-temp seizing and galling of fasteners up to 1,800°F. Perfect for spark plugs, exhaust manifold bolts, thermostat housing bolts and oxygen sensors.

42-0815	ANTI-SEIZE STICK 20 GRAM	7.44	5.95
---------	--------------------------	------	------

**Loctite Threadlocker** prevents loosening of threaded fasteners caused by vibrations. Seals and protects threads from rust and corrosion. Allows disassembly with standard hand tools.

42-0831	THREADLOCKER .2 OZ TUBE	8.69	6.95
---------	-------------------------	------	------

**Loctite Dielectric Grease** extends the life of electrical components by protecting them from moisture, salt and corrosion. Also prevents spark plugs from fusing to boots. Use on fuses, battery terminals, ignition components and other electrical connections.

42-0830	DIELECTRIC GREASE .33 OZ	6.19	4.95
---------	--------------------------	------	------

**Permatex Windshield and Glass Sealant** is a silicone sealant for windshields, windows and other glass. Flows into leaks like water and dries to form a flexible, tough, clear seal that is resistant to extreme temperatures, vibration and most chemicals.

42-0809	GLASS SEALANT 1.5 OZ TUBE	7.44	5.95
---------	---------------------------	------	------

**Vinyl Edge Sealer Pen** is an ultraviolet light-blocking, fast-drying, clear acrylic sealer that protects the edges of vinyl decals, graphics and the ends of adhesive chrome body moldings. It features a wedge applicator tip for a smooth, even application.

PART	DESCRIPTION	LIST	SELL
49-2677	VINYL SEALER PEN .3 OZ	18.69	14.95

**3M™ Adhesive Tape** is a high-performance, double-sided tape for all types of accessories, both interior and exterior. The tape's foam core allows it to expand and contract with temperature changes and to conform to surface irregularities and gaps. Includes three 1" x 12" strips.

PART	DESCRIPTION	LIST	SELL
42-0819	3M DOUBLE-SIDED TAPE	9.94	7.95

**Strip Caulk** is a non-hardening, non-shrinking waterproof black caulking material that has great adhesion properties and is temperature resistant from -400°F to +500°F. It's perfect for sealing around hoses, tubing, wiring or any other hole, joint, seam, void or gap on your car, truck or home to prevent fumes, moisture or noise penetration. Strip Caulk is easy to apply and can be painted immediately. Contains twelve 1/4" x 12" strips.

PART	DESCRIPTION	LIST	SELL
42-0807	STRIP CAULK	4.94	3.95

**Seam Sealer** provides superior adhesion and flexibility without cracking or peeling. Its self-leveling qualities make it an excellent sealer on cowl, floor, doors and wheel house seams. Skin time is 1-2 minutes and can be painted in 30-60 minutes. Applies with a standard caulking gun.

PART	DESCRIPTION	LIST	SELL
42-0808	SEAM SEALER 11 OZ TUBE	12.44	9.95





## Performance Air Filters ... Increased Horsepower and Torque

Improve performance just by changing to a K&N Performance Air Filter. K&N filters are designed to achieve high, virtually unrestricted airflow while providing excellent filtration for long engine life. More air means more horsepower and faster throttle response.

Unlike other filters you use and throw away, K&N filters clean easily and are reusable for the life of your engine. Filters carry a one million mile limited warranty. These filters are replacements for your stock air filter.

**Filter Care Service Kit -** A six-step maintenance system designed to recharge any K&N filter. Restores airflow efficiency so your filter performs virtually like new. Includes 6-1/2 oz. spray oil and 12 oz. filter cleaner.



**48-4270**

PART	DESCRIPTION AND APPLICATION	LIST	SELL
48-4270	K&N FILTER SERVICE KIT CLEANER & OIL	14.94	11.95

**K&N Sealing Grease** provides an airtight fit around sealing surfaces on filters. Resists heat and will not melt or run off. Not to be used for clamp-on filters.

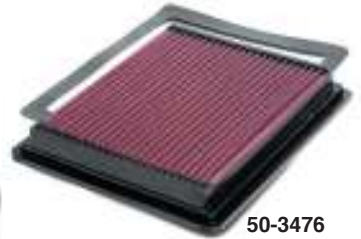


**48-4271**

PART	DESCRIPTION AND APPLICATION	LIST	SELL
48-4271	K&N SEALING GREASE NOT FOR CLAMP-ON FILTER	12.44	9.95



**50-3475**



**50-3476**

PART	DESCRIPTION AND APPLICATION	REQD	LIST	SELL
50-3472	K&N AIR FILTER EXPLORER	91-94 (1)	62.44	49.95
50-3475	K&N AIR FILTER ROUND STYLE 4.0L EXPLORER	95-96 (1)	62.44	49.95
50-3477	K&N AIR FILTER ROUND STYLE 4.0L EXPLORER	97-98 (1)	74.94	59.95
50-3476	K&N AIR FILTER FLAT STYLE 4.0L EXPLORER	97-01 (1)	74.94	59.95
50-3478	K&N AIR FILTER FLAT STYLE 4.0L EXPLORER	02-05 (1)	74.94	59.95
50-3478	K&N AIR FILTER FLAT STYLE 4.6L EXPLORER	02-05 (1)	74.94	59.95
50-3477	K&N AIR FILTER ROUND STYLE 5.0L EXPLORER	96-98 (1)	74.94	59.95
50-3476	K&N AIR FILTER FLAT STYLE 5.0L EXPLORER	97-01 (1)	74.94	59.95



## Filtercharger Kit ... Maximizes Airflow for Instant Throttle Response

The K&N Filtercharger Injection Performance Kit will provide fully maximized airflow potential. More air means more usable power and torque throughout the engine's rpm range.

- Allows your vehicle's engine to inhale a larger volume of air than the OE air filter assembly.
- Dramatically reduces intake restriction as it smoothes and straightens airflow.
- Instant throttle response, better acceleration, instant power and ease in lane changing and passing.
- Designed to replace the original air filter case.
- Won't jeopardize important emission standards.



**Kits are easy to install with no drilling, cutting or fabrication, usually in 30 minutes or less.**

PART	DESCRIPTION AND APPLICATION	REQD	LIST	SELL
50-4535	K&N FILTERCHARGER W/ROUND FILTER OHV 4.0L 95-97(1)	374.94	299.95	
50-4869	K&N FILTERCHARGER W/PANEL FILTER OHV 4.0L 97-00(1)	437.44	349.95	
50-4536	K&N FILTERCHARGER SOHC 4.0L 97-00(1)	374.94	299.95	
50-4870	K&N FILTERCHARGER 4.0L 01(1)	374.94	299.95	
50-4537	K&N FILTERCHARGER 4.0L EXPLORER 02-03(1)	374.94	299.95	
50-4538	K&N FILTERCHARGER 4.6L EXPLORER 02-03(1)	374.94	299.95	
50-4539	K&N FILTERCHARGER 4.6L EXPLORER 04-05(1)	374.94	299.95	



**50-4535**

OHV = Overhead Valve  
SOHC = Single Overhead Cam

**Million Mile Limited Warranty**

## Long Motor Corporation Gift Certificate ... The Perfect Gift!

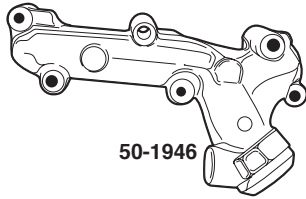
- Gift Certificates are the perfect gift to ensure you are giving exactly what they want!
- Gift Certificates can be purchased in any amount and they don't expire.
- Now with FREE DELIVERY...Second Day and Next Day air delivery are available with additional charges.
- Orders must be pre-paid. Orders received before 3:00 p.m. Central Time will ship same day.
- Gift Certificates can now be redeemed through the mail or by phone.

**Call (800) 562-8782 to order.**

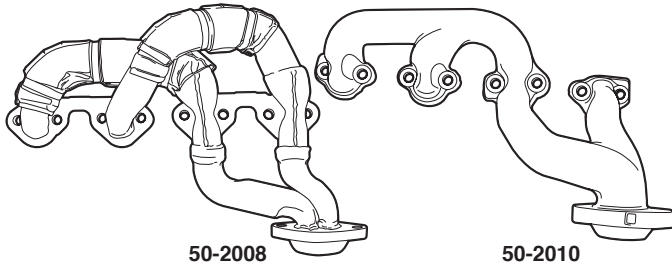
LMC TRUCK		GIFT CERTIFICATE	
		No. _____	Date _____
		This Certificate Entitles _____	
P.O. Box 14991 Lenexa, KS 66285-4991 1-800-281-0088		To Merchandise Valued At _____ Dollars	
		Presented By _____	
		Redeemable in Merchandise Only Upon Receipt Order # _____	
		Authorized Signature _____	

Exhaust Manifolds

Explorer 1991-05



50-1946



50-2008

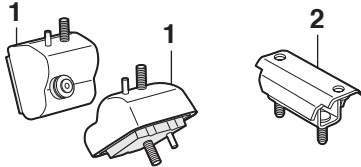
50-2010

50-1946	EXHAUST MANIFOLD-LH	4.0L EXPLORER	91-94 (1)	112.44	89.95
50-1947	EXHAUST MANIFOLD-RH	4.0L EXPLORER	91-94 (1)	99.94	79.95
50-1998	GASKET SET	4.0L EXPLORER	91-94 (1)	7.44	5.95
50-1972	EXHAUST MANIFOLD-LH	"A" 4.0L EXPLORER	95-97 (1)	99.94	79.95
50-1947	EXHAUST MANIFOLD-RH	"A" 4.0L EXPLORER	95-97 (1)	99.94	79.95
50-1974	EXHAUST MANIFOLD-LH	"A" 4.0L EXPLORER	98-01 (1)	99.94	79.95
50-1975	EXHAUST MANIFOLD-RH	"A" 4.0L EXPLORER	98-01 (1)	99.94	79.95
50-1976	EXHAUST MANIFOLD-LH	"B" 4.0L EXPLORER	97-01 (1)	187.44	149.95
50-1977	EXHAUST MANIFOLD-RH	"B" 4.0L EXPLORER	97-01 (1)	187.44	149.95
50-1978	EXHAUST MANIFOLD-LH	"B" 4.0L EXPLORER	02-05 (1)	199.94	159.95
50-1979	EXHAUST MANIFOLD-RH	"B" 4.0L EXPLORER	02-05 (1)	199.94	159.95
50-1998	GASKET SET	4.0L EXPLORER	95-96 (1)	7.44	5.95
50-1993	GASKET SET	"A" 4.0L EXPLORER	97-01 (1)	12.44	9.95
50-1994	GASKET SET	"B" 4.0L EXPLORER	97-05 (1)	12.44	9.95
50-2008	EXHAUST MANIFOLD-LH	"C" 5.0L EXPLORER	96-98 (1)	249.94	199.95
50-2009	EXHAUST MANIFOLD-RH	"C" 5.0L EXPLORER	96-98 (1)	249.94	199.95
50-2010	EXHAUST MANIFOLD-LH	"D" 5.0L EXPLORER	98-01 (1)	249.94	199.95
50-2011	EXHAUST MANIFOLD-RH	"D" 5.0L EXPLORER	98-01 (1)	249.94	199.95
40-4171	GASKET SET	5.0L EXPLORER	96-01 (1)	12.44	9.95

Note: "A" Fits overhead valve engine; VIN code X.  
 "B" Fits single overhead cam engine; VIN code E.  
 "C" Tubular style manifold.  
 "D" Cast style manifold.

Engine and Transmission Mounts

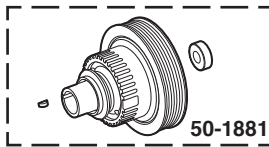
Explorer 1991-94



PART	ILL#	DESCRIPTION AND APPLICATION	REQD	LIST	SELL
50-1722	(1)	ENGINE MOUNT-LH 2WD 4.0L EXPLORER	91-94 (1)	28.69	22.95
50-1723		ENGINE MOUNT-RH 2WD 4.0L EXPLORER	91-94 (1)	28.69	22.95
50-1742	(2)	TRANSMISSION MOUNT 2WD 4.0L EXPLORER	91-94 (1)	24.94	19.95
50-1718	(1)	ENGINE MOUNT-LH 4WD 4.0L EXPLORER	91-94 (1)	28.69	22.95
50-1723		ENGINE MOUNT-RH 4WD 4.0L EXPLORER	91-94 (1)	28.69	22.95
50-1746	(2)	TRANSMISSION MOUNT 4WD 4.0L EXPLORER	91-94 (1)	31.19	24.95

Harmonic Balancer

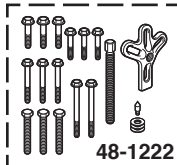
Explorer 1991-05



50-1881

PART	DESCRIPTION AND APPLICATION	REQD	LIST	SELL
50-1881	HARMONIC BALANCER 4.0L EXPLORER	91-01 (1)	99.94	79.95
43-7859	HARMONIC BALANCER 4.0L EXPLORER	02-05 (1)	212.44	169.95

Harmonic Balancer Puller

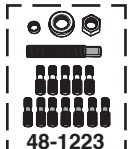


48-1222

Remove the harmonic balancer from your engine without risking damage to the engine. Four-slot, heavy-duty yoke can handle any pulling job. Extra-long center screw is machined for use with the included adaptor tip that centers the puller on the crankshaft for a quick and damage-free removal. Includes five sets of hardened, flange-head bolts in standard and metric thread sizes. Call or go online and order yours today!

48-1222	HARMONIC BALANCER PULLER	(1)	24.94	19.95
---------	--------------------------	-----	-------	-------

Harmonic Balancer Installer



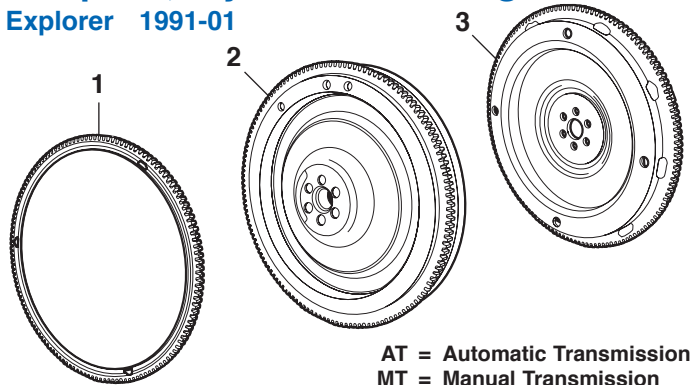
48-1223

Install the harmonic balancer on your engine the right way. The threaded forcing screw uses a bearing to easily slide the harmonic balancer into place. The installer includes five standard and seven metric threaded adaptors. Call or go online and order yours today!

48-1223	HARMONIC BALANCER INSTALLER	(1)	74.94	59.95
---------	-----------------------------	-----	-------	-------

Flexplate, Flywheel and Ring Gear

Explorer 1991-01

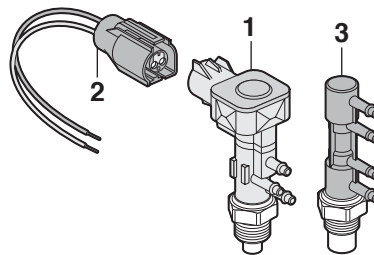


AT = Automatic Transmission  
 MT = Manual Transmission

PART	ILL#	DESCRIPTION AND APPLICATION	REQD	LIST	SELL
50-1852	(1)	RING GEAR MT 4.0L EXPLORER	91-01 (1)	37.44	29.95
50-1859	(2)	FLYWHEEL MT 4.0L EXPLORER	91-97 (1)	87.44	69.95
50-1863	(3)	FLEXPLATE AT 4.0L EXPLORER	91-96 (1)	49.94	39.95
43-7824		FLEXPLATE AT 5.0L EXPLORER	96-01 (1)	37.44	29.95

Ported Vacuum Switches

Explorer 1991-96



Ported Vacuum Switches (PVS) are heat sensitive devices that turn on or off vacuum pressure to vacuum related components such as EGR valves or distributor advance mechanisms. They can be found on the intake manifold, water outlets or the engine block itself. A damaged or malfunctioning PVS can affect engine performance such as horsepower, fuel efficiency and emissions. Switches are identified by color, number of ports and the OE number. The color of the PVS will be a solid color or painted on top. The OE number will be stamped or embossed on the side.

PART	ILL#	DESCRIPTION AND APPLICATION	REQD	LIST	SELL
47-1314	(1)	3 PORT VACUUM SWITCH 4.0L GRV/BLUE E1AE-8A564-BA	91-96 (1)	49.94	39.95
47-3052	(2)	CONNECTOR-PORT VACUUM SWITCH FOR 47-1314 SWITCH	91-96 (1)	24.94	19.95
47-1315	(3)	3 PORT VACUUM SWITCH E1AE-8A564-G1A,G2A	91-92 (1)	49.94	39.95

## Chrome - Brite Finish Grilles



LMC Truck brings you Radiant Chrome-Brite finish grilles. Bring a new look to the front of your SUV with these chrome-plated ABS Thermoplastic Grilles which have Brite Metallic Silver highlights painted inside the grille and headlight bezel cavities.

You can keep the classic OE style but enjoy a brighter, cleaner look of Chrome and Brite finish at an affordable price.

*Tech Tip: Grille mounting brackets can be painted black for improved looks.*



50-9122

PART	DESCRIPTION AND APPLICATION	REQD	LIST	SELL
50-9122	GRILLE-CHROME/BRITE EXPLORER	91-94 (1)	74.94	59.95

## Billet Grille is Custom Style



**Billet Grilles** - Each Billet Grille is designed for a custom fit and easy installation. They are made from aluminum with a black powder coat finish and highly polished face. Installation instructions and hardware are included.

Call or go online and order yours today!



50-5002

PART	DESCRIPTION AND APPLICATION	REQD	LIST	SELL
50-5002	BILLET GRILLE-POLISHED EXPLORER	91-94 (1)	174.94	139.95

## Chrome Grille Cover

Explorer 1995-01



Enhance the appearance of your SUV with a Chrome Grille Cover. Engineered to match the shape and design of your OE Grille for a perfect fit. Grille Covers simply snap into place and fit like a glove over your stock grille. Instantly transforms your OE grille from stock to chrome. This is the fastest, easiest and least expensive way you can add a chrome grille to your ride.



50-9090

- No tools or cutting required for fast and easy installation.
- Engineered to fit over original grille assembly.
- Triple chrome-plated ABS.

PART	DESCRIPTION AND APPLICATION	REQD	LIST	SELL
50-9090	CHROME GRILLE COVER "A" EXPLORER	95-01 (1)	124.94	99.95

Note: "A" Will not fit 1995-98 Limited models.

## Billet Grilles

Explorer 1995-05



#50-5043 Polished Billet Grille Shown with #50-5028 Bumper Grille

**Billet Grilles** - Each Billet Grille is designed for a custom fit and easy installation. They are made from aluminum with a black powder coat finish and highly polished face. Installation instructions and hardware are included.

Call or go online and order yours today!



50-5043

PART	DESCRIPTION AND APPLICATION	REQD	LIST	SELL
50-5043	BILLET GRILLE-POLISHED "A" EXPLORER	95-01 (1)	149.94	119.95
50-5028	BILLET BUMPER GRILLE-POLISHED EXPLORER	99-01 (1)	99.94	79.95

Note: "A" Will not fit 1995-98 Limited models. Requires cutting out plastic center of grille.



#50-5044 Billet Grille Shown with #50-5045 Bumper Grille



50-5044

PART	DESCRIPTION AND APPLICATION	REQD	LIST	SELL
50-5044	BILLET GRILLE-4MM EXPLORER	02-05 (1)	124.94	99.95
50-5045	BILLET BUMPER GRILLE-4MM "B" EXPLORER	02-05 (1)	112.44	89.95

Note: "B" Will not fit XLS models.

## All Chrome Replacement Grille

Explorer 2002-05



This All Chrome Grille is a replacement for your stock grille. Change your black or gray grille to chrome or replace your old scratched and chipped chrome grille with a new one.



50-7194



50-9192

PART	DESCRIPTION AND APPLICATION	REQD	LIST	SELL
50-9192	ALL CHROME GRILLE	EXPLORER 02-05 (1)	124.94	99.95
50-7194	EMBLEM "FORD"	EXPLORER 02-05 (1)	34.94	27.95

## Stainless Steel Tube Grille

Explorer 2002-05



**Tube Grilles** - Stainless Steel Tube Grilles give your SUV a strong, solid look with mirror-finish stainless steel. Installation instructions and hardware are included. Call or go online and order yours today!

Grille Overlay attaches over original grille; no cutting required.

PART	DESCRIPTION AND APPLICATION	REQD	LIST	SELL
50-5048	TUBE GRILLE OVERLAY-STAINLESS	EXPLORER 02-05 (1)	274.94	219.95

## All Chrome 21 Bar Grille Assembly

Explorer 2002-05



Upgrade your stock grille shell without cutting or drilling; no modification required. Go from stock to style in minutes with this direct fit bolt-on Chrome Grille Assembly. Made from chrome-plated injection molded plastic. Call or go online and order yours today!

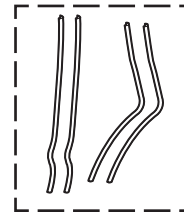


50-9199

PART	DESCRIPTION AND APPLICATION	REQD	LIST	SELL
50-9199	ALL CHROME GRILLE-21 BAR	EXPLORER 02-05 (1)	187.44	149.95

## Door Edge Guard Set

Explorer 1991-01



50-7456

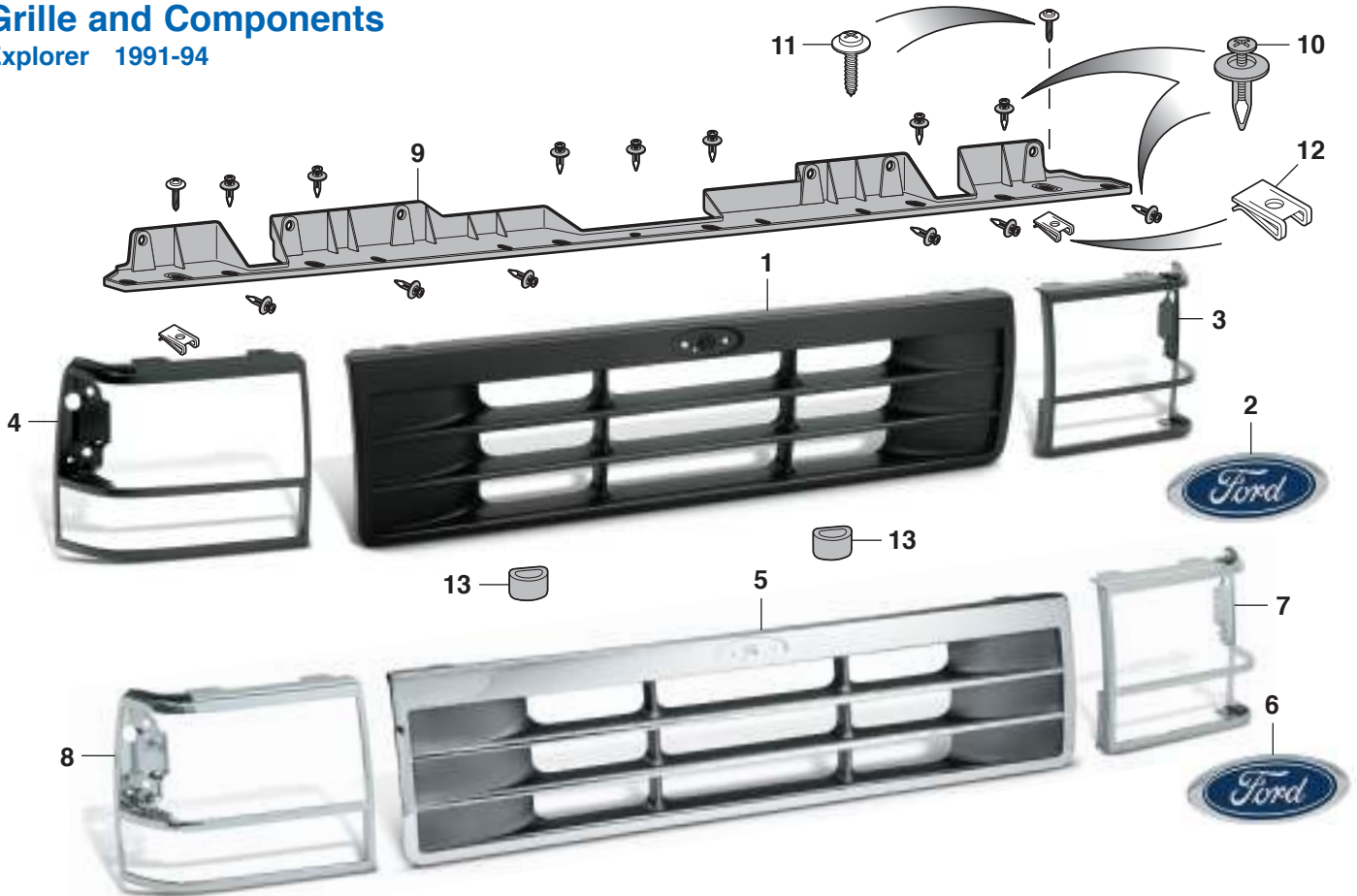
Add style and protection to your doors with this Stainless Steel or black Door Edge Guard Set. Call or go online and order yours today!

SS = Stainless Steel

PART	DESCRIPTION AND APPLICATION	REQD	LIST	SELL	PART	DESCRIPTION AND APPLICATION	REQD	LIST	SELL
50-7454	DOOR EDGE GUARD SET-SS 2 DOOR EXPLORER 91-01 (1)	(1)	31.19	24.95	50-7456	DOOR EDGE GUARD SET-SS 4 DOOR EXPLORER 91-01 (1)	(1)	43.69	34.95
50-7455	DOOR EDGE GUARD SET-BLK 2 DOOR EXPLORER 91-01 (1)	(1)	31.19	24.95	50-7457	DOOR EDGE GUARD SET-BLK 4 DOOR EXPLORER 91-01 (1)	(1)	43.69	34.95

## Grille and Components

Explorer 1991-94



PART	ILL#	DESCRIPTION AND APPLICATION	REQD	LIST	SELL
50-9118	(1)	GRILLE BLACK "A" EXPLORER 91-94 (1)	(1)	62.44	49.95 *
50-7192	(2)	GRILLE EMBLEM EXPLORER 91-94 (1)	(1)	37.44	29.95
50-9162	(3)	BEZEL-LH BLACK "A" EXPLORER 91-94 (1)	(1)	24.94	19.95
50-9163	(4)	BEZEL-RH BLACK "A" EXPLORER 91-94 (1)	(1)	24.94	19.95
50-9120	(5)	GRILLE CHROME/SILVER EXPLORER 91-94 (1)	(1)	112.44	89.95
50-7193	(6)	GRILLE EMBLEM EXPLORER 91-94 (1)	(1)	49.94	39.95
50-9160	(7)	BEZEL-LH CHROME EXPLORER 91-94 (1)	(1)	37.44	29.95
50-9161	(8)	BEZEL-RH CHROME EXPLORER 91-94 (1)	(1)	37.44	29.95

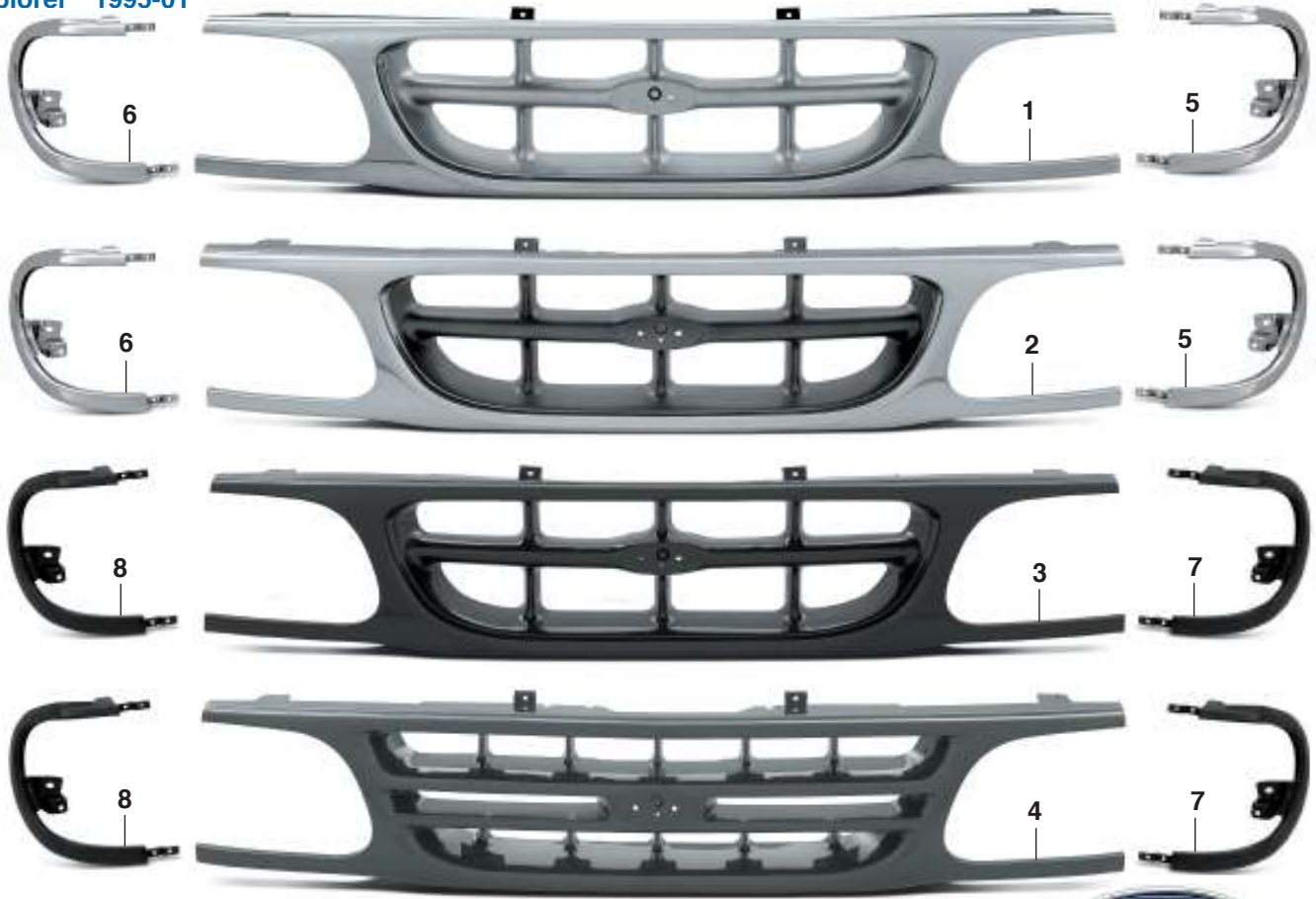
\*After the sell price means Oversize Part Charge. Your order will incur a charge of \$20.00 for each oversized part. Additional delivery time required.

PART	ILL#	DESCRIPTION AND APPLICATION	REQD	LIST	SELL
50-9040	(9)	AIR DEFLECTOR EXPLORER 91-94 (1)	(1)	74.94	59.95
50-0465	(10)	CLIP EXPLORER 91-94(13)	(13)	1.19	.95
50-0307	(11)	SCREW EXPLORER 91-94 (2)	(2)	2.44	1.95
40-0796	(12)	U-NUT EXPLORER 91-94 (2)	(2)	.56	.45
50-1515	(13)	RUBBER BUMPER EXPLORER 91-94 (2)	(2)	1.19	.95

Note: "A" Paint to match the color of your truck.

## Grilles

Explorer 1995-01



PART	ILL#	DESCRIPTION AND APPLICATION	REQD	LIST	SELL
50-9180	(1)	GRILLE-CHROME/SILVER EXPLORER	95-01 (1)	124.94	99.95
50-9181	(2)	GRILLE-CHROME/GRAY EXPLORER	95-01 (1)	112.44	89.95
50-9182	(3)	GRILLE-BLACK "A" EXPLORER	95-01 (1)	74.94	59.95
50-9183	(4)	GRILLE-BLACK LIMITED "A" EXPLORER	95-98 (1)	74.94	59.95

PART	ILL#	DESCRIPTION AND APPLICATION	REQD	LIST	SELL
50-9166	(5)	HEADLIGHT TRIM-LH-CHROME EXPLORER	95-01 (1)	24.94	19.95
50-9167	(6)	HEADLIGHT TRIM-RH-CHROME EXPLORER	95-01 (1)	24.94	19.95
50-9168	(7)	HEADLIGHT TRIM-LH-BLACK "A" EXPLORER	95-01 (1)	24.94	19.95
50-9169	(8)	HEADLIGHT TRIM-RH-BLACK "A" EXPLORER	95-01 (1)	24.94	19.95
50-7191	(9)	GRILLE EMBLEM EXPLORER	95-01 (1)	28.69	22.95
40-0875	(10)	NUT-EMBLEM EXPLORER	95-01 (2)	.63	.50

Note: "A" Can be painted to match the exterior of your vehicle.

## Grilles

Explorer 2002-05



50-9192



50-9193

All 2002-05 Grilles are interchangeable.



50-7194 40-0875

PART	DESCRIPTION AND APPLICATION	REQD	LIST	SELL
50-9192	GRILLE-ALL CHROME EXPLORER	02-05 (1)	124.94	99.95
50-9193	GRILLE-SILVER/CHROME EXPLORER	02 (1)	124.94	99.95
50-9194	GRILLE-DARK GRAY/CHROME EXPLORER	02 (1)	112.44	89.95
50-7194	EMBLEM EXPLORER	02-05 (1)	34.94	27.95
40-0875	NUT EXPLORER	02-05 (2)	.63	.50



50-9194

**Chrome Front Bumper**



**Premium Chrome Front Bumper**

- Bumper is stamped from new tooling using OE-quality steel for strength and durability.
- Bumper is buffed and polished to achieve a smooth defect-free plating surface.
- The Triple Nickel Plating process creates a brilliant, high-quality mirror-like finish.
- 5 Year Limited Warranty on rust-through perforations.



\*After the sell price means Oversize Part Charge. Your order will incur a charge of \$20.00 for each oversized part. Additional delivery time required.

PART	DESCRIPTION AND APPLICATION	REQD	LIST	SELL
50-9632	FRONT CHROME BUMPER PREMIUM EXPLORER	95-98 (1)	287.44	229.95 *

**Chrome Front Bumper**

- Bumper used by Collision Damage Repair Shops.
- Bumper is made using a computer-controlled process assuring consistent thickness of nickel and chrome plating.
- Economically priced replacements for your rusty, dull, scratched and pitted bumper.
- Save money, call or go online and order your replacement bumper today.

50-9610	FRONT CHROME BUMPER	"A" EXPLORER	91-94 (1)	162.44	129.95 *
50-9608	FRONT CHROME BUMPER	"B" EXPLORER	91-94 (1)	162.44	129.95 *
50-9633	FRONT CHROME BUMPER	EXPLORER	95-98 (1)	187.44	149.95 *

Note: "A" Fits models without impact strip.  
"B" Fits models with impact strip.

**Chrome Rear Step Bumper**



Replacement Pads and Mounting Hardware  
See Pages 16 & 18

PART	DESCRIPTION AND APPLICATION	REQD	LIST	SELL
50-9625	REAR CHROME STEP BUMPER EXPLORER	91-94 (1)	312.44	249.95 *
50-9555	REAR CHROME STEP BUMPER "A" EXPLORER	95-97 (1)	249.94	199.95 *
50-9566	REINFORCEMENT-HITCH EXPLORER	95-97 (1)	237.44	189.95

Note: "A" For models with long hitch plate cover. Must reuse original bumper reinforcement or order new #50-9566.

\*After the sell price means Oversize Part Charge. Your order will incur a charge of \$20.00 for each oversized part. Additional delivery time required.

PART	DESCRIPTION AND APPLICATION	REQD	LIST	SELL
50-9550	REAR CHROME STEP BUMPER "B" EXPLORER	98-01 (1)	374.94	299.95 *
50-9567	REINFORCEMENT-HITCH EXPLORER	98-01 (1)	218.69	174.95

Note: "B" For models without backup parking sensor. Must reuse original bumper reinforcement or order new #50-9567.



## OE Style Rear Step Bumper

This OE Style Replacement Rear Bumper matches the original rear bumper in every way from the hitch assembly and step pad design to the lighting assembly.



50-5337



50-5336



50-5293



50-5335



50-5338



50-5339



50-5292

- Meets all your replacement needs.
- Made from die-formed construction.
- Explorer bumpers are tested to 300 lbs. tongue weight and 3,500 lbs. trailer weight.
- Includes OE style brackets and necessary mounting hardware.

Do not exceed manufacturer's recommended towing capacity.

PART	DESCRIPTION AND APPLICATION	REQD	LIST	SELL
50-5335	CHROME STEP BUMPER W/BLACK PAD EXPLORER	91-94 (1)	574.94	459.95 *
50-5337	CHROME STEP BUMPER W/GRAY PAD EXPLORER	91-94 (1)	574.94	459.95 *
50-5336	CHROME STEP BUMPER W/TAN PAD EXPLORER	91-94 (1)	574.94	459.95 *
50-5338	PRIMER STEP BUMPER W/BLACK PAD EXPLORER	91-94 (1)	499.94	399.95 *
50-5339	CHROME STEP BUMPER W/BLACK PAD EXPLORER	95-97 (1)	574.94	459.95 *
50-5341	CHROME STEP BUMPER W/GRAY PAD EXPLORER	95-97 (1)	574.94	459.95 *
50-5340	CHROME STEP BUMPER W/TAN PAD EXPLORER	95-97 (1)	574.94	459.95 *
50-5342	PRIMER STEP BUMPER W/BLACK PAD EXPLORER	95-97 (1)	499.94	399.95 *

### Replacement Pads and Mounting Hardware See Pages 16 & 18

\*After the sell price means Oversize Part Charge. Your order will incur a charge of \$20.00 for each oversized part. Additional delivery time required.

PART	DESCRIPTION AND APPLICATION	REQD	LIST	SELL
50-5292	CHROME STEP BUMPER W/BLACK PAD "A"	98-01 (1)	574.94	459.95 *
50-5294	CHROME STEP BUMPER W/GRAY PAD "A"	98-01 (1)	574.94	459.95 *
50-5293	CHROME STEP BUMPER W/TAN PAD "A"	98-01 (1)	574.94	459.95 *
50-5296	PRIMER STEP BUMPER W/BLACK PAD "A"	98-01 (1)	499.94	399.95 *

Note: "A" For models without backup sensors.

**Reproduction Stainless Steel Door Mirror**

Explorer 1991-94



Can be used to replace original style mirror on models equipped with factory internal door mirror brace.

**Hardware Included**

PART	DESCRIPTION AND APPLICATION	REQD	LIST	SELL
49-6620	DOOR MIRROR-LH STAINLESS STEEL 5" X 8"	91-94 (1)	49.94	39.95
49-6621	DOOR MIRROR-RH STAINLESS STEEL 5" X 8"	91-94 (1)	49.94	39.95
49-6623	DOOR MIRROR-RH CONVEX STAINLESS 5" X 8"	91-94 (1)	49.94	39.95

**Reproduction Black Door Mirror**

Explorer 1991-94



**Hardware Included**

PART	DESCRIPTION AND APPLICATION	REQD	LIST	SELL
49-6640	DOOR MIRROR-LH-BLACK 4" X 6" EXPLORER	91-94 (1)	49.94	39.95
49-6641	DOOR MIRROR-RH-BLK CONVX 4" X 6" EXPLORER	91-94 (1)	49.94	39.95

**Reproduction Power Door Mirror**

Explorer 1991-94



**50-7122**

50-7122	DOOR MIRROR-LH-BLACK-POWER	EXPLORER	91-94 (1)	174.94	139.95
50-7123	DOOR MIRROR-RH-BLACK-POWER	EXPLORER	91-94 (1)	174.94	139.95

**Tripod and Lo-Mount Mirrors**



**49-6581**



**49-6582**

**Hardware Included**

These are universal mirrors, not direct OE replacements; therefore, mounting locations may differ from OE.

The Lo-Mount Mirror has a 5" x 7" mirror head and features a ball base. The mounting bracket is lo-mount style and includes hardware.

49-6581	MIRROR-TRIPOD	STAINLESS	7-1/2" X 10-1/2"	24.94	19.95
49-6591	MIRROR HEAD	STAINLESS	7-1/2" X 10-1/2"	16.19	12.95
49-6582	MIRROR-LO-MOUNT	STAINLESS	5" X 7"	24.94	19.95
49-6590	MIRROR HEAD	STAINLESS	5" X 7"	12.44	9.95

**Reproduction Door Mirror**

Explorer 1995-01



**50-7124**

**50-7130**

PART	DESCRIPTION AND APPLICATION	REQD	LIST	SELL
------	-----------------------------	------	------	------

**Manual Door Mirror**

50-7124	DOOR MIRROR-LH	EXPLORER	95-01 (1)	49.94	39.95
50-7125	DOOR MIRROR-RH	EXPLORER	95-01 (1)	49.94	39.95

**Power Door Mirror without Puddle Lamp**

50-7126	DOOR MIRROR-LH	EXPLORER	95-01 (1)	62.44	49.95
50-7127	DOOR MIRROR-RH	EXPLORER	95-01 (1)	62.44	49.95

50-7130	DOOR MIRROR-LH	HEATED	EXPLORER	95-98 (1)	87.44	69.95
50-7131	DOOR MIRROR-RH	HEATED	EXPLORER	95-98 (1)	87.44	69.95

**Power Door Mirror with Puddle Lamp**

50-7128	DOOR MIRROR-LH	EXPLORER	98-01 (1)	74.94	59.95
50-7129	DOOR MIRROR-RH	EXPLORER	98-01 (1)	74.94	59.95

50-7132	DOOR MIRROR-LH	HEATED	EXPLORER	98-01 (1)	99.94	79.95
50-7133	DOOR MIRROR-RH	HEATED	EXPLORER	98-01 (1)	99.94	79.95

**Reproduction Power Door Mirror**

Explorer 2002-05



**50-7086**

**50-7088**  
Bottom View

**50-7090**  
Bottom View

PART	DESCRIPTION AND APPLICATION	REQD	LIST	SELL
------	-----------------------------	------	------	------

**Without Heated Glass without Puddle Lamp**

50-7086	DOOR MIRROR-LH	EXPLORER	02-05 (1)	99.94	79.95
50-7087	DOOR MIRROR-RH	EXPLORER	02-05 (1)	99.94	79.95

**Without Heated Glass with Puddle Lamp**

50-7088	DOOR MIRROR-LH	EXPLORER	02-05 (1)	112.44	89.95
50-7089	DOOR MIRROR-RH	EXPLORER	02-05 (1)	112.44	89.95

**With Heated Glass with Puddle Lamp**

50-7090	DOOR MIRROR-LH	EXPLORER	02-05 (1)	112.44	89.95
50-7091	DOOR MIRROR-RH	EXPLORER	02-05 (1)	112.44	89.95

**Blind Spot Mirror**



**49-6490**

Blind spot mirrors increase your viewing angle to help eliminate blind spots. The 2" Adjustable Blind Spot Mirror rotates 360° for a customized wide angle view. Mirrors attach to your door mirror with included self-adhesive tape.

PART	DESCRIPTION AND APPLICATION	REQD	LIST	SELL
------	-----------------------------	------	------	------

49-6490	BLIND SPOT MIRROR-2"	A/R	2.44	1.95
49-6493	BLIND SPOT MIRROR-ADJUSTABLE-2"	A/R	3.69	2.95
49-6492	BLIND SPOT MIRROR-3"	A/R	3.69	2.95

## Outside Door Handles

Explorer 1991-05



50-7316



50-7320

Smooth door handles can be painted to match the color of your vehicle.



50-7321



50-7324



50-7326

PART	DESCRIPTION AND APPLICATION	REQD	LIST	SELL
<b>Front Door Handles</b>				
50-7316	FRONT DOOR HANDLE-LH EXPLORER	91-94 (1)	24.94	19.95
50-7317	FRONT DOOR HANDLE-RH EXPLORER	91-94 (1)	24.94	19.95
50-7320	FRONT DOOR HANDLE "A" EXPLORER	95-97 (2)	24.94	19.95
50-7321	FRONT DOOR HANDLE "A" EXPLORER	98-01 (2)	24.94	19.95
50-7324	FRONT DOOR HANDLE-LH-TEXTURED EXPLORER	02-05 (1)	37.44	29.95
50-7325	FRONT DOOR HANDLE-RH-TEXTURED EXPLORER	02-05 (1)	37.44	29.95
50-7326	FRONT DOOR HANDLE-LH-SMOOTH EXPLORER	02-05 (1)	31.19	24.95
50-7327	FRONT DOOR HANDLE-RH-SMOOTH EXPLORER	02-05 (1)	31.19	24.95

Note: "A" Paint to match.



50-7316



50-7320

Smooth door handles can be painted to match the color of your vehicle.



50-7321



50-7328



50-7390

PART	DESCRIPTION AND APPLICATION	REQD	LIST	SELL
<b>Rear Door Handles</b>				
50-7316	REAR DOOR HANDLE-LH EXPLORER	91-94 (1)	24.94	19.95
50-7317	REAR DOOR HANDLE-RH EXPLORER	91-94 (1)	24.94	19.95
50-7320	REAR DOOR HANDLE "A" EXPLORER	95-97 (2)	24.94	19.95
50-7321	REAR DOOR HANDLE "A" EXPLORER	98-01 (2)	24.94	19.95
50-7328	REAR DOOR HANDLE-LH-TEXTURED EXPLORER	02-05 (1)	37.44	29.95
50-7329	REAR DOOR HANDLE-RH-TEXTURED EXPLORER	02-05 (1)	37.44	29.95
50-7390	REAR DOOR HANDLE-LH-SMOOTH EXPLORER	02-05 (1)	37.44	29.95
50-7391	REAR DOOR HANDLE-RH-SMOOTH EXPLORER	02-05 (1)	37.44	29.95

Note: "A" Paint to match.

## Chrome Outside Door Handle Sets

Explorer 1995-01

Two-piece sets will fit front or rear doors.



50-7404

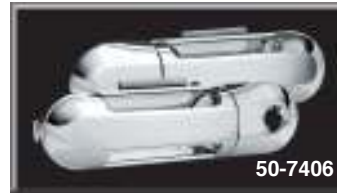


50-7405

PART	DESCRIPTION AND APPLICATION	REQD	LIST	SELL
50-7404	CHROME DOOR HANDLE SET 2PC EXPLORER	95-97 A/R	87.44	69.95
50-7405	CHROME DOOR HANDLE SET 2PC EXPLORER	98-01 A/R	87.44	69.95

## Chrome Outside Door Handle Sets

Explorer 2002-05



50-7406



50-7407

PART	DESCRIPTION AND APPLICATION	REQD	LIST	SELL
50-7406	CHROME DOOR HANDLE SET-FRONT EXPLORER	02-05 (1)	87.44	69.95
50-7407	CHROME DOOR HANDLE SET-REAR EXPLORER	02-05 (1)	87.44	69.95

## Chrome Handle Cover Set ...

Style and Elegance for Your SUV



50-7402



50-7400

Chrome Handle Covers give your SUV the style and elegance of a luxury model without the cost or effort of chroming your original handles. These covers are made from automotive grade ABS plastic finished with a high quality chrome finish.

Designed to withstand harsh conditions, they install securely with preapplied 3M™ tape. Handle sets require no drilling or cutting and install in seconds!

### Without Front Passenger Side Keyhole

PART	DESCRIPTION AND APPLICATION	REQD	LIST	SELL
50-7402	DOOR HANDLE COVER SET-2PC EXPLORER	98-01 A/R	37.44	29.95
50-7400	DOOR HANDLE COVER SET-FRT/RR 4DR EXPLORER	02-05 (1)	74.94	59.95

## Stainless Steel Handle Covers

These stainless steel covers are custom formed to fit over your original handles perfectly. They attach easily with the included OEM approved 3M™ double-sided adhesive tape. No drilling or tools required. These covers are the perfect complement to your other stainless steel enhancements.



50-7403

SS = Stainless Steel

PART	DESCRIPTION AND APPLICATION	REQD	LIST	SELL
50-7403	DOOR HANDLE COVER SET-SS 2PC EXPLORER	98-01 A/R	49.94	39.95

Emblems

Explorer 1991-94



PART	ILL#	DESCRIPTION AND APPLICATION	REQD	LIST	SELL
50-7192	(1)	GRILLE EMBLEM "FORD OVAL" "A"	91-94 (1)	37.44	29.95
50-7193	(2)	GRILLE EMBLEM "FORD OVAL" "B"	91-94 (1)	49.94	39.95

Note: "A" For models with black or painted grille.  
 "B" For models with chrome grille.

PART	ILL#	DESCRIPTION AND APPLICATION	REQD	LIST	SELL
50-7190	(3)	LIFTGATE EMBLEM "FORD OVAL"	91-94 (1)	41.19	32.95
50-7172	(4)	LIFTGATE EMBLEM "EXPLORER XL"	91-94 (1)	74.94	59.95
50-7173	(5)	LIFTGATE EMBLEM "EXPLORER XLT"	91-94 (1)	43.69	34.95
50-7174	(6)	LIFTGATE EMBLEM "EXPLORER SPORT"	91-94 (1)	62.44	49.95

Emblems

Explorer 1995-05

<b>Grille Emblem</b>  50-7191	<b>Fender Emblems</b>  50-7175  50-7176  50-7178	<b>Door Emblems</b>  50-7180  50-7182
<b>Liftgate Emblems</b>  50-7197  50-7177  50-7182  50-7183  50-7186  42-3239  42-3241	 50-7179  50-7180  50-7181	

PART	DESCRIPTION AND APPLICATION	REQD	LIST	SELL	PART	DESCRIPTION AND APPLICATION	REQD	LIST	SELL
<b>Grille Emblems</b>					<b>Liftgate Emblems</b>				
50-7191	EMBLEM "FORD" EXPLORER 95-01 (1)	(1)	28.69	22.95	50-7197	EMBLEM "FORD" EXPLORER 95-97 (1)	(1)	27.44	21.95
50-7194	EMBLEM "FORD" EXPLORER 02-05 (1)	(1)	34.94	27.95	50-7190	EMBLEM "FORD" EXPLORER 98-01 (1)	(1)	41.19	32.95
<b>Fender Emblems</b>					50-7195	EMBLEM "FORD" EXPLORER 02-05 (1)	(1)	37.44	29.95
50-7175	EMBLEM "V8" EXPLORER 96-97 (2)	(2)	24.94	19.95	50-7177	EMBLEM "EXPLORER" EXPLORER 98-01 (1)	(1)	68.69	54.95
50-7176	EMBLEM "V8" EXPLORER 98-01 (2)	(2)	41.19	32.95	50-7178	EMBLEM "EXPLORER" EXPLORER 02-03 (1)	(1)	62.44	49.95
50-7178	EMBLEM "EXPLORER" EXPLORER 02-03 (2)	(2)	62.44	49.95	50-7179	EMBLEM "EXPLORER" EXPLORER 04-05 (1)	(1)	41.19	32.95
50-7179	EMBLEM "EXPLORER" EXPLORER 04-05 (2)	(2)	41.19	32.95	50-7180	EMBLEM "XLS" EXPLORER 99-01 (1)	(1)	56.19	44.95
<b>Door Emblems</b>					50-7181	EMBLEM "XLS" EXPLORER 02-05 (1)	(1)	43.69	34.95
50-7180	EMBLEM "XLS" EXPLORER 99-01 (2)	(2)	56.19	44.95	50-7182	EMBLEM "XLT" EXPLORER 99-01 (1)	(1)	41.19	32.95
50-7182	EMBLEM "XLT" EXPLORER 99-01 (1)	(1)	41.19	32.95	50-7183	EMBLEM "XLT" EXPLORER 02-05 (1)	(1)	31.19	24.95
					50-7186	EMBLEM "V8" EXPLORER 02-05 (1)	(1)	31.19	24.95
					42-3239	EMBLEM "LIMITED" EXPLORER 02-05 (1)	(1)	37.44	29.95
					42-3241	EMBLEM "EDDIE BAUER" EXPLORER 02-05 (1)	(1)	43.69	34.95

Stainless Steel Emblem Trim



Emblem Not Included

Add a dash of flash to your SUV with Stainless Steel Emblem Trim. Mirror-like finish, Type 304 stainless steel patterns are laser cut for a precise fit around your SUV's existing emblems. Each self-adhesive pattern attaches with 3M™ tape for a quick and easy install. Call or go online and order yours today!

PART	DESCRIPTION AND APPLICATION	REQD	LIST	SELL
42-3608	LIFTGATE EMBLEM TRIM "FORD" OVAL EXPLORER	91-01 (1)	24.94	19.95

## Custom Headlight Set

Explorer 1991-94



## Custom Headlight and Parklight Sets

Explorer 1995-01



Headlight and Parklight Protection Film  
See Page 49



50-4690



Custom Light Bulbs  
See Page 46

- Superior design when compared to regular headlight.
- Diamond-cut light has more efficient reflector which does not need a lens to scatter the light.
- A brighter light focused on the road for a greater distance.
- Maximum light output is produced.
- Gives you that clear modern look.
- Use your existing bulb or order replacements listed below.
- Light is DOT and SAE approved.

If you are adding brighter bulbs or upgrading to high power halogen lights, use a Heavy-Duty Headlight Harness, **see page 46**.

PART	DESCRIPTION AND APPLICATION	REQD	LIST	SELL
50-4690	CUSTOM HEADLIGHT SET	EXPLORER 91-94 (1)	362.44	289.95
50-8210	HALOGEN BULB-WHITE	EXPLORER 91-94 (2)	8.69	6.95



#50-4694  
May Be Used with Existing  
Parklights or Upgrade to #50-4689

#50-4689  
May Be Used with Existing  
Headlights or Upgrade to  
#50-4694

Give your SUV a new look in minutes with this easy-to-install Custom Headlight Set. It is designed to OE specifications and is an easy upgrade that will dramatically improve the look and style of your SUV. White halogen headlight bulbs included.



### Custom Light Bulbs - See Page 46

PART	DESCRIPTION AND APPLICATION	REQD	LIST	SELL
50-4694	CUSTOM HEADLIGHT SET	CHROME 95-01 (1)	249.94	199.95
47-0246	HEADLIGHT BULB	WHITE 95-01 (2)	12.44	9.95
50-4689	CUSTOM PARKLIGHT SET	CHROME 95-01 (1)	124.94	99.95
47-0244	BULB-SIDEMARKER	AMBER 95-01 (2)	2.44	1.95
47-0212	BULB-PARKLIGHT	AMBER 95-01 (4)	2.44	1.95



50-4714

\*After the sell price means Oversize Part Charge. Your order will incur a charge of \$20.00 for each oversized part. Additional delivery time required.

PART	DESCRIPTION AND APPLICATION	REQD	LIST	SELL
50-4714	CUSTOM HEADLIGHT/PARKLIGHT SET	BLACK 95-01 (1)	374.94	299.95 *
47-0246	HEADLIGHT BULB	WHITE 95-01 (2)	12.44	9.95
47-0212	BULB-PARKLIGHT	AMBER 95-01 (4)	2.44	1.95
47-0244	BULB-SIDEMARKER	AMBER 95-01 (2)	2.44	1.95

### Heavy-Duty Headlight Harness



47-3661

Not for use on models with daytime running lights.

This Headlight Harness draws power directly from your battery, whereas your original wiring draws its power from your headlight switch. This harness takes the load of switching the high current needs of upgraded headlights from your old factory switch. Not only does this prevent excessive wear on the switch, it will lessen the chance of your wires melting or catching fire.

This Heavy-Duty Harness is complete with separate relays for low and high beams and features OE-style headlight sockets for easy installation with no splicing or cutting required. Call or go online and order yours today!

PART	DESCRIPTION AND APPLICATION	REQD	LIST	SELL
47-3661	HEAVY-DUTY HEADLIGHT HARNESS EXPLORER 91-94 (1)	(1)	37.44	29.95
47-3662	HEAVY-DUTY HEADLIGHT HARNESS EXPLORER 95-01 (1)	(1)	37.44	29.95
47-3664	HEAVY-DUTY HEADLIGHT HARNESS EXPLORER 02-05 (1)	(1)	37.44	29.95
47-3652	REPLACEMENT RELAY-LOW/HIGH	(2)	6.19	4.95

### Custom Light Bulbs ... Choose Your Way to Light Up the Night

#### Halogen Blue-Coated Headlight Bulbs

**Halogen Bulb Tech Tip:** Always handle a halogen bulb by the plastic base to prevent contaminants on the glass from shortening the life of the bulb.



For added style, replace the white halogen bulb with a halogen blue-coated bulb. The blue-coated bulb creates an intense white light which is popular in today's new cars and trucks. Get the cool look of HID (high intensity discharge) lighting without the high price; call or go online and order yours today!

PART	DESCRIPTION AND APPLICATION	REQD	LIST	SELL
47-0253	HALOGEN BULB-BLUE HEADLIGHT 91-94 (2)	(2)	16.19	12.95
47-0257	HALOGEN BULB-BLUE HEADLIGHT 95-01 (2)	(2)	16.19	12.95
47-0279	HALOGEN BULB-BLUE-LOW BEAM HEADLIGHT 02-05 (2)	(2)	16.19	12.95
47-0228	HALOGEN BULB-BLUE-HIGH BEAM HEADLIGHT 02-05 (2)	(2)	16.19	12.95

#### LED Bulbs



47-0365

LED Bulbs illuminate 140 times faster and can last up to 20,000 hours, much longer than conventional incandescent bulbs. They have no filament, which means they are less sensitive to vibrations caused by uneven road surfaces. They emit less heat and use only 15% of the energy required by incandescent bulbs, reducing the load placed on your truck's electrical system. LED Bulbs appear clear when unlit and emit a pure color when lit.

PART	DESCRIPTION AND APPLICATION	REQD	LIST	SELL
47-0365	LED BULB-AMBER PARKLIGHT 91-94(4)	(4)	37.44	29.95
47-0364	LED BULB-RED TAIL LIGHT 91-94(2)	(2)	37.44	29.95
47-0363	LED BULB-CLEAR BACKUP 91-94(2)	(2)	37.44	29.95

#### Superwhite Bulb Set Produces 30% More Light



Superwhite headlight bulbs put out up to 30% more light while retaining the street legal wattage which means more light on the road! Superwhite headlight bulbs use a proprietary mixture of premium gases that includes Xenon, whereas standard halogen bulbs use less efficient argon gas. The use of premium gases cools the light filament improving the efficiency and light output of the bulb.

Superwhite headlight bulbs operate in the Kelvin color temperature range of 4000-4200K producing a brighter, white light. Traditional halogen bulbs operate at 2600-3000K which emits a more yellowish appearance. Superwhite headlight bulbs are sold in sets of two. Call or go online and order yours today!

PART	DESCRIPTION AND APPLICATION	REQD	LIST	SELL
47-0291	SUPERWHITE BULB SET HEADLIGHT 91-94 (1)	(1)	37.44	29.95
47-0278	SUPERWHITE BULB SET HEADLIGHT 95-01 (1)	(1)	37.44	29.95
47-0299	SUPERWHITE BULB SET-LOW BEAM HEADLIGHT 02-05 (1)	(1)	37.44	29.95
47-0298	SUPERWHITE BULB SET-HIGH BEAM HEADLIGHT 02-05 (1)	(1)	37.44	29.95

#### Custom Bulb Sets ... For Parklights



Let the smooth brilliance of your clear lights shine through with Custom Bulbs. Custom high-performance light bulbs feature the latest breakthrough in interference coating technology. The result is a cool, iridescent bluish appearance when unlit and street legal amber light when illuminated. Bulbs are sold in sets of two.

PART	DESCRIPTION AND APPLICATION	REQD	LIST	SELL
47-0209	CUSTOM BULB SET-AMBER PARKLIGHT 91-01 (2)	(2)	21.19	16.95
47-0209	CUSTOM BULB SET-AMBER PARKLIGHT 02-05 (1)	(1)	21.19	16.95

### Electronic Flasher ... For LED Lights



47-0356

An Electronic Flasher is recommended when upgrading to LED bulbs or light assemblies. Due to the lower current draw of LED lighting, the factory flasher may cause inconsistent flash rates, no flash or indicate that a bulb is out.

PART	DESCRIPTION AND APPLICATION	REQD	LIST	SELL
47-0356	ELECTRONIC FLASHER 91-94 (1)	(1)	18.69	14.95

### LED Bolt Set for Your License Plate



47-4362

Secure and light up your license plate with this LED Bolt Set. Chrome bolts feature an integrated white LED that illuminates at a 90° angle. Ideal for use on non-step bumpers, roll pans or any other areas where extra light is needed. For 12-volt systems only.

PART	DESCRIPTION AND APPLICATION	REQD	LIST	SELL
47-4362	LED LICENSE PLATE BOLT SET	A/R	18.69	14.95

## Custom Tail Light Sets

### Explorer 1991-94



50-4701

50-4702

50-4703

PART	DESCRIPTION AND APPLICATION	REQD	LIST	SELL
50-4701	CUSTOM TAIL LIGHT SET-CLEAR	EXPLORER 91-94 (1)	312.44	249.95
50-4702	CUSTOM TAIL LIGHT SET-BLACK	EXPLORER 91-94 (1)	312.44	249.95
50-4703	CUSTOM TAIL LIGHT SET-CARBON	EXPLORER 91-94 (1)	349.94	279.95
50-8200	BULB-TAIL/STOP/SIGNAL-CLEAR	EXPLORER 91-94 (2)	1.19	.95
50-8201	BULB-BACKUP-CLEAR	EXPLORER 91-94 (2)	1.19	.95

Custom Tail Light Sets incorporate an ultra clear lens with a chrome, black or carbon fiber housing and uniquely styled red reflector lenses that use the original clear bulbs, sold separately. These lens assemblies comply with all federal regulations.

All required test functions are indicated on each lens as required by law. Custom Tail Light Sets are an easy replacement for your stock factory lenses.



50-4701



50-4702

### Explorer 1995-97



50-4776

50-4777

PART	DESCRIPTION AND APPLICATION	REQD	LIST	SELL
50-4776	CUSTOM TAIL LIGHT SET-CHROME	EXPLORER 95-97 (1)	162.44	129.95
50-4777	CUSTOM TAIL LIGHT SET-BLACK	EXPLORER 95-97 (1)	162.44	129.95
50-8201	BULB-BACKUP/TURN-CLEAR	EXPLORER 95-97 (4)	1.19	.95
50-8200	BULB-TAIL LIGHT-CLEAR	EXPLORER 95-97 (2)	1.19	.95

### Explorer 2002-05



50-4902

50-4903

50-4904

PART	DESCRIPTION AND APPLICATION	REQD	LIST	SELL
50-4902	CUSTOM TAIL LIGHT SET-CHROME	EXPLORER 02-05 (1)	187.44	149.95
50-4903	CUSTOM TAIL LIGHT SET-BLACK	EXPLORER 02-05 (1)	199.94	159.95
50-4904	CUSTOM TAIL LIGHT SET-CARBON	EXPLORER 02-05 (1)	212.44	169.95
50-8200	BULB-STOP/TURN-CLEAR	EXPLORER 02-05 (2)	1.19	.95
50-8201	BULB-BACKUP-CLEAR	EXPLORER 02-05 (2)	1.19	.95

## LED Third Brake Light ... The Future of Automotive Lighting

New technology previously available only on high-end luxury cars is now available for your truck! In addition to looking stylish, this third brake light quickly alerts other drivers of your intentions. LEDs illuminate 140 times faster than conventional incandescent bulbs. This translates to a gain of 20+ feet of reaction distance!

### Additional LED benefits:

- Are longer lasting; can last up to 20,000 hours.
- Have no filament, which means they are less sensitive to vibrations caused by potholes and other uneven surfaces.
- Use only 15% of the energy required by incandescent bulbs, reducing the load placed on your truck's charging system.
- Emit less heat than incandescent bulbs.



LED Third Brake Light is a direct replacement for stock unit and is made to factory specifications so it requires no modifications.

PART	DESCRIPTION AND APPLICATION	REQD	LIST	SELL
50-4909	LED 3RD BRAKE LIGHT CLEAR	EXPLORER 98-01 (1)	124.94	99.95



50-4909

**Bug Shields**

Bug Shields are made from durable impact-resistant materials and include all mounting hardware and installation instructions.



50-4025



50-4950



50-4037



50-4038



50-4039



50-4041

**Low Profile Bug Shield** features lower profile contoured styling for a sleek wrap design.

**Premium Bug Shield** features a contoured wrap-around aerodynamic shape for complete nose and fender protection.

PART	DESCRIPTION AND APPLICATION	REQD	LIST	SELL
50-4025	BUG SHIELD-LOW PROFILE "A" SMOKE EXPLORER 91-94 (1)	1	74.94	59.95
50-4037	BUG SHIELD-LOW PROFILE "A" SMOKE EXPLORER 95-01 (1)	1	74.94	59.95
50-4040	BUG SHIELD-LOW PROFILE SMOKE EXPLORER 02-05 (1)	1	74.94	59.95
50-4039	BUG SHIELD-LOW PROFILE CHROME EXPLORER 02-05 (1)	1	162.44	129.95

PART	DESCRIPTION AND APPLICATION	REQD	LIST	SELL
50-4950	BUG SHIELD-PREMIUM "A" SMOKE EXPLORER 91-94 (1)	1	87.44	69.95
50-4038	BUG SHIELD-PREMIUM "A" SMOKE EXPLORER 95-01 (1)	1	87.44	69.95
50-4041	BUG SHIELD-PREMIUM SMOKE EXPLORER 02-05 (1)	1	87.44	69.95

Note: "A" Drilling required for installation.

**Spare Tire Cover ... The Finishing Touch that Adds Protection for Your Spare**



Small: Width 6" to 8-3/4"  
Diameter 26-1/2" to 29"  
Medium: Width 8-3/4" to 10"  
Diameter 29-1/2" to 31"

Add that finishing touch that protects your spare tire against the damaging effects of the sun and weather. The Spare Tire Cover is made from heavy-duty vinyl-coated polyester with a lock-stitched seam construction and a drainage seam located at the bottom, making it durable under all weather conditions. It also features a strong built-in shock cord with no-rust clips for easy attachment. Spare Tire Cover is only available in black.

Measure your tire diameter and width before ordering.

PART	DESCRIPTION AND APPLICATION	REQD	LIST	SELL
48-2600	SPARE TIRE COVER-SMALL BLACK	(1)	46.19	36.95
48-2601	SPARE TIRE COVER-MEDIUM BLACK	(1)	46.19	36.95



## Smoke Headlight Covers

Headlight Cover Set gives your SUV a dramatic change in styling while protecting headlights from road debris. Installation is quick and easy. They are easy to remove and replace for simple cleaning. Available in smoke only.

*May not be legal in some states; please check with your state and local authorities before ordering.*



PART	DESCRIPTION AND APPLICATION	REQD	LIST	SELL
50-4741	HEADLIGHT COVER SET-SMOKE EXPLORER 91-94 (1)	(1)	87.44	69.95
50-4756	HEADLIGHT COVER SET-SMOKE EXPLORER 95-01 (1)	(1)	87.44	69.95
50-4759	HEADLIGHT COVER SET-SMOKE EXPLORER 02-05 (1)	(1)	99.94	79.95

**Limited Lifetime Warranty**

## Headlight and Fog Light Protection Film

Protect your lights from the hazards of the open road with Headlight and Fog Light Protection Film. Made from scratch-resistant, 30-mil thick press-polished PVC material that features a UV inhibitor to prevent shrinking and discoloration combined with the strongest optically clear adhesive available for maximum durability and distortion-free light transmission. These light protection films were tested under the harshest of conditions. They have proven to withstand a barrage of 1" diameter stones at speeds up to 120 mph with no damage to the lens they protect. Kit contains pre-cut film, installation squeegee and instructions.

PART	DESCRIPTION AND APPLICATION	REQD	LIST	SELL
50-8920	HEADLIGHT/PARKLIGHT FILM EXPLORER 91-94 (1)	(1)	81.19	64.95
50-8921	HEADLIGHT/PARK/FOG LIGHT FILM EXPLORER 95-01 (1)	(1)	81.19	64.95
50-8922	HEADLIGHT/PARK/FOG LIGHT FILM EXPLORER 02-05 (1)	(1)	81.19	64.95



## Paint Protection Film

Made from rugged, clear, 8-mil thick polyurethane paint protection film that features a clear-coat finish for maximum shine and durability. Once applied, this material is virtually invisible yet helps prevent chipping, scratching and scuffing to the vulnerable areas of your vehicle.

### Door Edge Protection Film



Contains 3/8" wide x 12' roll and instructions.

**42-1284**

PART	DESCRIPTION AND APPLICATION	REQD	LIST	SELL
42-1284	DOOR EDGE PROTECTION FILM	A/R	16.19	12.95

### Threshold Protection Film



**49-7709**

Kit contains 2-3/4" wide x 5' roll, installation squeegee and instructions.

49-7709	THRESHOLD PROTECTION FILM	(1)	24.94	19.95
---------	---------------------------	-----	-------	-------

## Hood Scoops and Louver Panels ... Add a Performance Look to Your SUV



**49-3981**

PART	DESCRIPTION AND APPLICATION	LIST	SELL
49-3980	HOOD SCOOP SET - SMALL PERFORMANCE STYLE 19"L X 10-1/2"W X 1-1/2"H	81.19	64.95
49-3981	HOOD SCOOP SET - MEDIUM PERFORMANCE STYLE 27"L X 12-5/8"W X 1-1/2"H	87.44	69.95
49-3983	HOOD SCOOP SET REVERSE STYLE 29"L X 16-1/2"W X 1"H	112.44	89.95



**49-3983**



**49-3992**

Unique stylized hood scoops and louver panels transforms the look of your stock vehicle into a "high performance SUV." Constructed from durable, heat resistant, high impact ABS material, they are easily painted to match the color of your SUV. They feature NO drill installation, and mount with 3M™ adhesive foam tape, included.

PART	DESCRIPTION AND APPLICATION	LIST	SELL
49-3990	LOUVER PANEL SET 6 LOUVERS 9" LONG X 5" WIDE	24.94	19.95
49-3991	LOUVER PANEL SET 9 LOUVERS 13" LONG X 5" WIDE	24.94	19.95
49-3992	LOUVER PANEL SET 12 LOUVERS 17" LONG X 5" WIDE	28.69	22.95

Custom Flexible Chrome Trim ... Design it – Cut it – Install it



Fuel Door Skin Kit



Rocker Panel Trim Kits

42-1200	CHROME ROCKER TRIM KIT	5 PC 5" X 54"	A/R	149.94	119.95
42-1201	CHROME ROCKER TRIM KIT	5 PC 6" X 54"	A/R	149.94	119.95
42-1202	CHROME ROCKER TRIM KIT	5 PC 7" X 54"	A/R	174.94	139.95
42-1203	CHROME ROCKER TRIM KIT	5 PC 8" X 54"	A/R	174.94	139.95
42-1204	CHROME PILLAR POST TRIM KIT	5 PC 5" X 24"	A/R	87.44	69.95
42-1205	CHROME FUEL DOOR SKIN KIT	1 PC 8" X 8"	A/R	33.69	26.95

Add a unique custom chrome look to your vehicle with this Flexible Universal Chrome Trim ... the ultimate SUV Trim. Now you can design accents and trim on your vehicle in the traditional patterns or create a unique custom look; it's your choice. Use a combination of any of the kits to achieve the look you want.

- The Chrome ABS Trim is easily cut with a pair of sharp scissors and features 3M™ peel-off backing for super strong adhesion.
- Scratch Resistant - UV Coated - Bright Chrome Finish.
- Pattern material is included for design and fitment of the flexible chrome laminate. Use the sandpaper in the kit to clean up any edges or corners. This fun project will make your SUV stand out from the rest.
- Available in four widths.

Design it – Cut it – Install it! Just peel off the protective cover then stand back and admire your custom accents and trim. Always double-check all measurements of materials needed for your design for your vehicle against available sizes of kits.

Stainless Steel Rocker Panel Trim Covers Up Rust and Scratches



50-5131

Stainless Steel Rocker Panel Trim features a polished mirror finish that dresses up your SUV and covers up rust and scratches.

Easy installation with included 3M™ tape, and no drilling required.

PART	DESCRIPTION AND APPLICATION	REQD	LIST	SELL
50-5129	ROCKER PANEL TRIM "A" 2 DOOR EXPLORER	91-94 (1)	124.94	99.95
50-5131	ROCKER PANEL TRIM "B" 4 DOOR EXPLORER	91-94 (1)	249.94	199.95
50-5133	ROCKER PANEL TRIM "A" 4 DOOR EXPLORER	91-94 (1)	124.94	99.95

Note: "A" Available in chrome only.  
 "B" For models with factory molding.  
 "C" For models without factory molding.

Aluminum Running Boards Give You a Step Up



50-5034

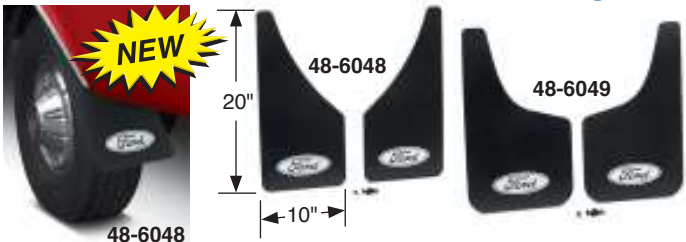
\*After the sell price means Oversize Part Charge. Your order will incur a charge of \$20.00 for each oversized part. Additional delivery time required.

Extruded Aluminum Running Boards feature classic styling on a functional board. Rugged extruded aluminum that is finished with a brite-dip anodized coating makes these running boards durable. They feature a rough tape that runs the entire length of the boards to give you secure stepping all year round.

Full size stone guards protect the Extruded Running Boards from road debris. Mounting brackets are made from heavy-duty steel for added strength.

50-5033	RUNNING BOARDS-EXTRUDED	2DR	EXPLORER	91-94 (1)	312.44	249.95 *
50-5034	RUNNING BOARDS-EXTRUDED	4DR	EXPLORER	91-94 (1)	337.44	269.95 *

Mud Guard Sets with "FORD" Logo



48-6048

Protect your vehicle from rock chips, mud, tar and other road debris with these Ford logoed Mud Guard Sets. These universal mud guards feature a white Ford oval on a flexible black plastic mud guard. Mounting hardware is included. Mud Guard Sets measure approximately 10" x 20" and 12" x 20".

48-6048	MUD GUARD SET OF 2	BLACK/WHITE 10" X 20"	A/R	43.69	34.95
48-6049	MUD GUARD SET OF 2	BLACK/WHITE 12" X 20"	A/R	43.69	34.95

Custom Molded Mud Guards Protect Your SUV from Rock Chips



49-5679

These Mud Guards are custom molded to fit SUVs. Not only do these mud guards help protect the side of your vehicle from rock chips, they also help keep off mud and tar buildup. Great looking and functional, these mud guards are molded in a standard black matte finish that can be painted.

Sold in Sets of 2

49-5679	MUD GUARDS-REAR	"A"	EXPLORER	02-05 (1)	49.94	39.95
---------	-----------------	-----	----------	-----------	-------	-------

Note: "A" For models without running boards.

## Flexy-Flares™ ... To Cover Those Wide Tires



Flexy-Flares™ provide protection from mud, dirt, gravel and salt. They are an attractive styling addition to any SUV. Flexy-Flares™ are a necessity in many states where wide tires must be covered by a fender.

Constructed from the finest quality EDPM synthetic rubber, they won't crack or peel in cold weather or droop in high temperatures. These heavy-duty flares use a wire insert on the outer edge for extra strength and added rigidity. The exclusive built-in curvature allows the flare to fit the fenderwell without wrinkles or buckling. Flexy-Flares™ extend your fenders 3" and come with complete hardware packs for easy installation.

PART	DESCRIPTION AND APPLICATION	REQD	LIST	SELL
50-5191	FLEXY-FLARES FENDER EXTENSION EXPLORER	91-94 (1)	112.44	89.95

## Round Side Step Bars ... The Perfect Blend of Style and Function



Round Side Step Bars Available in Stainless Steel or Black Powder Coat

Round Step Bars feature built in steps designed for both beauty and practicality. The step pads are UV tested to ensure long life in hot or cold climates. Step Bars feature 3" round tubes and are completely bolt on; no drilling required.

\*After the sell price means Oversize Part Charge. Your order will incur a charge of \$20.00 for each oversized part. Additional delivery time required.

PART	DESCRIPTION AND APPLICATION	REQD	LIST	SELL
<b>Stainless Steel Step Bars</b>				
50-5948	STEP BARS-STAINLESS STEEL 4 DOOR EXPLORER	91-01 (1)	337.44	269.95 *
50-5949	STEP BARS-STAINLESS STEEL 4 DOOR EXPLORER	02-05 (1)	324.94	259.95 *
<b>Black Powder Coat Step Bars</b>				
50-5958	STEP BARS-BLACK 4 DOOR EXPLORER	91-01 (1)	274.94	219.95 *
50-5959	STEP BARS-BLACK 4 DOOR EXPLORER	02-05 (1)	249.94	199.95 *

## Stainless Steel Fender Trim Molding



Custom fit polished Stainless Steel Fender Trim Molding features a mirror finish that dresses up your SUV while protecting your wheel wells. Guaranteed to fit and installs easily without bending or cutting.

Rubber trim and hardware included; drilling is required to the bottom of the wheel wells for installation.

50-5111	FENDER TRIM MOLDING "A"	2 DOOR EXPLORER	91-94 (1)	99.94	79.95
50-5112	FENDER TRIM MOLDING "A"B"	4 DOOR EXPLORER	91-94 (1)	124.94	99.95
50-5113	FENDER TRIM MOLDING "B"C"	4 DOOR EXPLORER	91-94 (1)	99.94	79.95
50-5115	FENDER TRIM MOLDING "D"E"	4 DOOR EXPLORER	95-01 (1)	99.94	79.95
50-5116	FENDER TRIM MOLDING "E"	EXPLORER	02-05 (1)	124.94	99.95
50-5117	FENDER TRIM MOLDING "F"	EXPLORER	02-05 (1)	112.44	89.95

Note: "A" Trim is tapered from 1-1/2" to 2" wide.  
 "B" Does not fit Limited models.  
 "C" Trim measures 1" wide.  
 "D" Fits models without body side molding.  
 "E" Fits models without factory fender flares.  
 "F" Fits models with factory fender flares.

## Hoop Steps

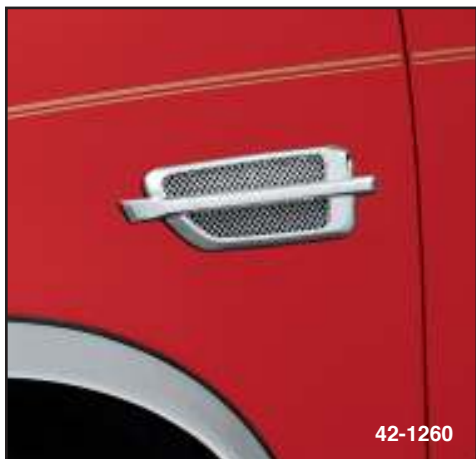


Looking for a stylish alternative to running boards or step bars? Hoop Steps are made of corrosion-resistant, durable cast aluminum alloy and feature a diamond tread pattern step that provides a safe non-slip surface and a rugged off-road look. Hoop Steps feature an exclusive multi-mount system designed for a precision fit and easy installation. Available in polished or black powder coat finish. Sold as a set of two.

PART	DESCRIPTION AND APPLICATION	REQD	LIST	SELL
49-4650	HOOP STEPS-POLISHED "A" EXPLORER	91-01 A/R	99.94	79.95
49-4696	HOOP STEPS-BLACK "A" EXPLORER	91-01 A/R	99.94	79.95

Note: "A" Does not fit Eddie Bauer Editions.

Chrome Simulated Fender Vent Sets



Upgrade the look and style of your vehicle with Chrome Simulated Fender Vent Sets. Chrome-plated ABS plastic vents include stick-on 3M™ tape for a fast and easy installation with no drilling required. Call or go online and order yours today!

PART	DESCRIPTION AND APPLICATION	REQD	LIST	SELL
42-1260	FENDER VENT SET CHROME MESH SINGLE BAR	(1)	49.94	39.95
42-1261	FENDER VENT SET CHROME MESH DOUBLE BAR	(1)	49.94	39.95
42-1262	FENDER VENT SET CHROME VENT SINGLE BAR	(1)	49.94	39.95
42-1263	FENDER VENT SET CHROME VENT DOUBLE BAR	(1)	49.94	39.95
42-1264	FENDER VENT SET BLACK VENT SINGLE BAR	(1)	49.94	39.95
42-1265	FENDER VENT SET BLACK VENT DOUBLE BAR	(1)	49.94	39.95

Chrome Cab Handle Set and Chrome Tow Hook



**48-2035**  
Chrome Cab Handles are 1" in diameter and 12" long. Mounting hardware is included.

**48-2036**  
Chrome Tow Hook has a 10,000 lb. capacity



PART	DESCRIPTION AND APPLICATION	REQD	LIST	SELL
48-2035	CHROME CAB HANDLE SET OF 2 1" X 12"	(1)	37.44	29.95
48-2036	CHROME TOW HOOK 10,000 LB CAPACITY		12.44	9.95

Polished Stainless Steel Door Pillar Trim



Add a touch of class to your SUV. Made from grade 304 stainless steel with a mirror-like finish. Quick and easy installation with pre-applied 3M™ tape. Call or go online and order yours today!

PART	DESCRIPTION AND APPLICATION	REQD	LIST	SELL
42-1218	DOOR PILLAR TRIM SET-6PC 4 DOOR EXPLORER 95-01	(1)	56.19	44.95
42-1219	DOOR PILLAR TRIM SET-6PC "A" EXPLORER 02-05	(1)	99.94	79.95
42-1221	DOOR PILLAR TRIM SET-6PC "B" EXPLORER 02-05	(1)	112.44	89.95

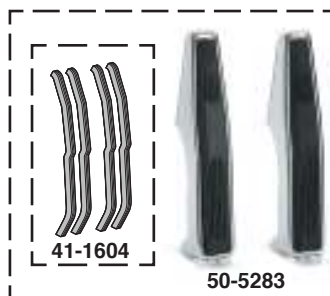
Note: "A" For models with keyless entry pad located on driver side window pillar.  
"B" For models without keyless entry pad located on driver side window pillar.

Chrome Hood Pin Set Keeps Hood Secure and Looks Cool !



42-0880	HAIR PIN STYLE HOOD PIN SET	(1)	8.69	6.95
42-0881	CHROME HAIR PIN ONLY SET OF 2	(1)	4.94	3.95

Front Bumper Guards ... Absorb Impact !



These massive Front Bumper Guards are chrome plated and have 3/4" thick rubber faces for absorbing impact.

They are made from heavy gauge steel with an automotive spec dual nickel chrome surface.

Custom clamp-on installation gives the bumper guards a contoured look that will fit your SUV.

50-5283	BUMPER GUARD SET-CHROME "A"	EXPLORER 91-94	(1)	124.94	99.95
41-1604	SEAL SET	EXPLORER 91-94	(1)	12.44	9.95

Note: "A" For bumpers with rubber impact strip.

Chrome Lighted License Frame



Lighted

The perfect solution for roll pans or custom bumpers that don't have lights for your license plate or if your plate is not in the stock location.

48-2049	CHROME LIGHTED LICENSE FRAME			24.94	19.95
---------	------------------------------	--	--	-------	-------

## Smoke Tail Light Cover Set ... For a Real Styling Enhancement

Tail Light Cover Set will dramatically enhance the look of your SUV. They mount easily using included 3M™ Automotive Dual Lock to provide a smooth appearance. Brake lights show through when on, but disappear when off. Available in smoke only.

*Tail Light Covers may not be legal in some states; please check with your state and local authorities before ordering.*



PART	DESCRIPTION AND APPLICATION	REQD	LIST	SELL
50-4746	TAIL LIGHT COVER SET-SMOKE EXPLORER	91-94 (1)	49.94	39.95
50-4757	TAIL LIGHT COVER SET-SMOKE EXPLORER	95-97 (1)	87.44	69.95
50-4758	TAIL LIGHT COVER SET-SMOKE EXPLORER	98-01 (1)	99.94	79.95
50-4764	TAIL LIGHT COVER SET-SMOKE EXPLORER	02-05 (1)	99.94	79.95

## ABS Slotted Tail Light Cover Set

These Slotted Tail Light Covers are made from paintable ABS plastic and are guaranteed to fit. They install easily with included OE grade 3M™ tape, no metal screws or attachments to scratch your SUV.

Large horizontal symmetrical slots are vacuum formed with rolled edges and a seamless finish.



PART	DESCRIPTION AND APPLICATION	REQD	LIST	SELL
50-4732	TAIL LIGHT COVER SET-SLOTTED EXPLORER	91-94 (1)	49.94	39.95

## Chrome Tail Light Covers



Enhance the appearance of your SUV with Chrome Tail Light Covers. Engineered to match the shape and design of your OE tail lights for a perfect fit. Tail Light Covers install easily using pre-applied 3M™ automotive tape.

- Provides additional protection for your tail lights.
- Triple chrome-plated ABS.
- Quick and easy installation.

PART	DESCRIPTION AND APPLICATION	REQD	LIST	SELL
50-4787	CHROME TAIL LIGHT COVER SET EXPLORER	95-97 (1)	49.94	39.95
50-4786	CHROME TAIL LIGHT COVER SET EXPLORER	02-05 (1)	74.94	59.95

## In Channel Slimline Window Visor Set



Slimline Window Visors locate easily and firmly into your door channel. Provides fresh airflow and improved wind drag in all weather plus helps prevent window fogging. Available in smoke colored tough acrylic. Designed specifically for your vehicle. Installation is easy, attaches with 3M™ OE approved tape included, no drilling is required.

PART	DESCRIPTION AND APPLICATION	REQD	LIST	SELL
50-5209	SLIMLINE VISOR SET 2PC EXPLORER	91-01 (1)	62.44	49.95
50-5210	SLIMLINE VISOR SET 4PC EXPLORER	91-01 (1)	87.44	69.95

## Side Window Deflector Set



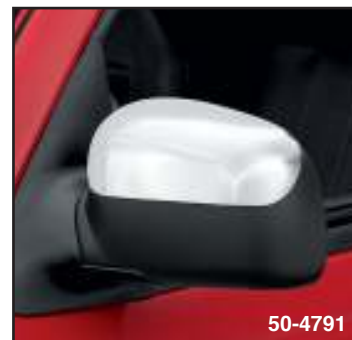
The aerodynamically designed high impact Acrylic Window Deflector will not fade or cloud. It allows 25% light transmission to keep the inside of your SUV cooler. It is made of a 50/50 blend of Plex DR Acrylic for long lasting construction. Installation is easy, attaches with 3M™ OE approved tape included with deflector, no drilling is required.

50-5205	SIDE WINDOW DEFLECTOR SET 2PC EXPLORER	91-01 (1)	37.44	29.95
50-5207	SIDE WINDOW DEFLECTOR SET 4PC EXPLORER	91-01 (1)	68.69	54.95
50-5211	SIDE WINDOW DEFLECTOR SET 4PC EXPLORER	02-05 (1)	74.94	59.95

## Chrome Door Mirror Cover Set

Chrome Mirror Covers give your SUV the style and elegance of a luxury model. These covers are made from automotive grade ABS plastic finished with a high quality chrome finish.

Designed to withstand harsh conditions, they install securely with preapplied 3M™ tape. Mirror covers require no drilling or cutting and install in seconds!



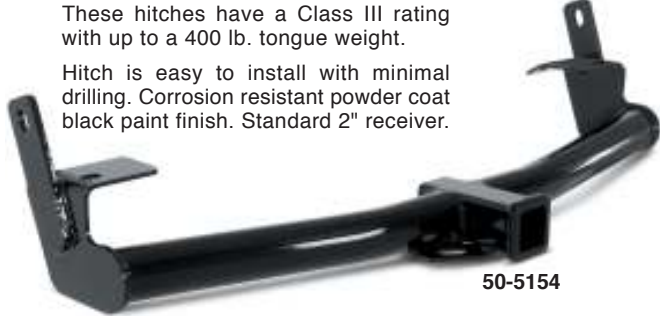
PART	DESCRIPTION AND APPLICATION	REQD	LIST	SELL
50-4791	DOOR MIRROR COVER SET-CHROME "A" EXPLORER	95-05 (1)	99.94	79.95

Note: "A" Fits textured power mirrors on 1995-05 models and textured manual mirrors on 1999-05 models.

Receiver Hitch and Accessories for All Your Towing Needs

These hitches have a Class III rating with up to a 400 lb. tongue weight.

Hitch is easy to install with minimal drilling. Corrosion resistant powder coat black paint finish. Standard 2" receiver.



50-5154

\*After the sell price means Oversize Part Charge. Your order will incur a charge of \$20.00 for each oversized part. Additional delivery time required.

PART	DESCRIPTION AND APPLICATION	REQD	LIST	SELL
50-5154	HITCH-NO DRILL 4000 LB	91-01 (1)	237.44	189.95
50-5189	HITCH "A" 5000 LB	02-05 (1)	249.94	199.95

Note: "A" Replaces factory installed Class II hitch.



**Hitch Ball Mount** - Choose the best fitting ball mount with the right amount of rise or drop to even out the load. Raise or lower the height of your trailer ball by the amount listed for level towing.

49-4125	BALL MOUNT 3/4" RISE 2" DROP	7500 LB	(1)	24.94	19.95
49-4126	BALL MOUNT 2" RISE 4" DROP	7500 LB	(1)	31.19	24.95
49-4138	BALL MOUNT 4" RISE 6" DROP	7500 LB	(1)	37.44	29.95
49-4139	BALL MOUNT 6" RISE 8" DROP	5000 LB	(1)	41.19	32.95



5/8" Locking Hitch Pin protects any hitch mounted item from theft. Dust cap seals out dirt and water for trouble-free use. Includes two keys. 5/8" Hitch Pin and Clip are made from zinc-plated steel.

49-4182	LOCKING HITCH PIN	5/8"	(1)	24.94	19.95
49-4181	HITCH PIN AND CLIP	5/8"	(1)	4.94	3.95



**Chrome Hitch Ball** features a 1" diameter shank and includes lock washer and nut. Trailer Balls are listed by diameter. Choose the diameter you need to match your trailer.

PART	DESCRIPTION AND APPLICATION	REQD	LIST	SELL
49-4177	HITCH BALL 1-7/8" 3500 LB	(1)	9.94	7.95
49-4178	HITCH BALL 2" 6000 LB	(1)	9.94	7.95
49-4179	HITCH BALL 2-5/16" 7500 LB	(1)	16.19	12.95

Folding Hitch Step ... One-Step Access for Your SUV



48-1758

The Folding Hitch Step allows easier access to the roof of your SUV. Made from durable die cast aluminum for long life and features a slip-resistant step surface that folds down when you need it or folds up when you don't. Attaches to any 2" receiver hitch. Call or go online and order yours today! Rated up to 300 lbs.

48-1758	FOLDING HITCH STEP	ALL 2" RECEIVERS	(1)	37.44	29.95
---------	--------------------	------------------	-----	-------	-------



50-5184 49-4155 49-4156

50-5184	WIRING HARNESS	T-CONNECT	EXPLORER	91-94 (1)	24.94	19.95
49-4197	WIRING HARNESS	EXPLORER	95-01 (1)	68.69	54.95	
50-5185	WIRING HARNESS	"B"	EXPLORER	02-03 (1)	37.44	29.95
50-5186	WIRING HARNESS	"C"	EXPLORER	02-05 (1)	24.94	19.95
49-4155	HITCH SOCKET-7 WAY TRUCK END	"C"	EXPLORER	02-05 (1)	18.69	14.95
49-4156	HITCH PLUG-7 WAY TRAILER END	"C"	EXPLORER	02-05 (1)	8.69	6.95

Complete your towing package with a wiring harness.

Note: "B" For models without factory tow package.  
"C" For models with factory tow package.

Switch-Ball™ Set and Accessories



49-4176



49-4183



49-4184

**Switch-Ball™ Set** - Change between three different trailer hitch ball sizes quickly and easily with the Switch-Ball™ Set. There is no attachment pin to remove or tools required to switch ball sizes. Weight ratings for each hitch ball size are as follows: 1-7/8" = 3,500 lbs., 2" = 6,000 lbs. and 2-5/16" = 8,000 lbs. Switch-Ball™ is constructed from premium grade steel with nickel-chrome plating for long life.

The exclusive 'J' Groove design ensures that when the ball is installed on the shank and engaged by a coupler, the hitching system is safe and secure. The weight bearing capacity rests on the shank to take the stress away from the ball, which will free the coupler from friction and binding, thus resulting in smoother and safer towing.

**Switch-Ball™ Storage Case** - Organize and protect the interchangeable hitch balls from damage or loss when not in use with the storage case.

**Switch-Ball™ Shank Cover** provides protection from the elements when not in use.

49-4176	SWITCH-BALL SET	(1)	56.19	44.95
49-4183	SWITCH-BALL STORAGE CASE	(1)	7.44	5.95
49-4184	SWITCH-BALL SHANK COVER	(1)	6.19	4.95

LED Hitch Light



48-1743

The LED Hitch Light improves rear visibility when backing up or when connecting to a trailer. The light installs on a 2" hitch receiver, features an integrated weatherproof on/off switch and can easily be removed with the quick disconnect connector when not needed. Made from rugged ABS plastic, the LED Hitch Light features dual 12 LED light arrays with 168 lumens of light output and a current draw of only .224 amps. Measures 8"W x 3-1/4"H x 3"D. Wiring harness and instructions included. Will not fit 2002-05 SUV models.

PART	DESCRIPTION AND APPLICATION	LIST	SELL
48-1743	LED HITCH LIGHT 2" RECEIVER	91-01	87.44 69.95

## BOLT™ Key Coded Locks ... Unlock All Your Locks with Your Ignition Key!

The BOLT™ Lock lets you set all your truck, trailer and equipment locks to work with one key — your ignition key! Simply insert the truck's ignition key into the BOLT™ Lock, turn it once and the lock mechanically learns the key code.

The BOLT™ Lock is made with a six-plate tumbler sidebar that prevents picking and bumping. An automotive grade, weather-resistant shutter is used along with a larger cylinder for more security. Whether you are a truck pro or a weekend warrior, you can't beat the convenience of a BOLT™ Lock.



PART	DESCRIPTION AND APPLICATION	REQD	LIST	SELL	PART	DESCRIPTION AND APPLICATION	REQD	LIST	SELL
49-4164	LOCKING HITCH PIN 5/8"	96-05 (1)	49.94	39.95	49-4165	PADLOCK	96-05 (1)	34.94	27.95

## LMC Truck Cover ... Who Knew Protecting Your Vehicle's Finish Could Be So Inexpensive !



LMC universal fit truck covers provide protection from acid rain, dust, tree sap, industrial pollutants, harmful UV rays, animal traffic and bird droppings. Cover is not affected by temperature extremes. Fabric will not stretch or shrink and naturally resists rot and mildew. Elastic is sewn into the front and rear hems to ensure a snug fit. Truck covers will actually pay for themselves by reducing the number of times you'll need to wash and wax your vehicle.

In summer a cover keeps the interior cooler and helps protect from the sun's damaging rays, which can cause fading and deterioration. In winter it can keep the snow and ice off your glass and finish.

Start protecting your truck's finish from the elements, call or go online and order your truck cover today.

*Antenna must be removed or an antenna grommet attached to your cover before use. See below for more information on antenna grommet.*

### LMC 1000 **GOOD** \$59<sup>95</sup> each

#### For Moderate Weather Conditions

- Durable synthetic fabric has the look and feel of more expensive covers.
- Water resistant, yet breathable.
- Double-stitched seams for strength.

#### Ford SUV

#50-8954	2 Door	Explorer	1991-05
#50-8955	4 Door	Explorer	1991-05

#### Antenna Grommet

Eliminate the need to remove the antenna each time you install your cover. Once attached to any size cover, this soft rubber antenna grommet will easily fit over any antenna mast up to 1/2" in diameter. Made from soft rubber, the antenna grommet won't scratch or damage the finish on your vehicle. Includes easy-to-follow instructions.



### LMC 3000 **BETTER** \$99<sup>95</sup> each

#### Superior Protection at a Great Value

- Soft cushioning layer protects your paint.
- Superior breathable 3-layer synthetic fabric is highly water resistant, even during downpours.
- No-leak construction achieved through ultrasonic welding.
- UV-stable materials ensure a long life.
- Ideal for long-term vehicle storage.

#### Ford SUV

#50-8964	2 Door	Explorer	1991-05
#50-8965	4 Door	Explorer	1991-05

#### Truck Cover Lock Kit

Keep your truck cover from being ripped-off by thieves or high winds with this security cable and lock. Sides of LMC Truck Covers are equipped with plastic grommets to accommodate the security cable.



### LMC 4000 **BEST** \$169<sup>95</sup> each

#### Best Protection for Your Truck

- 4-layer synthetic fabric has fleece-lined bottom layer to protect fine automotive finishes.
- Durable outer layer, breathable 2nd layer, protective 3rd layer, soft fleece 4th layer.
- High water resistance - virtually waterproof yet breathable.
- Ultrasonic welding seals seams tight.
- Patented UV Stabilizer is used to ensure a long life.
- Ideal for long-term vehicle storage.
- Tie-down strap and buckle attached with strap pocket built into cover for easy storage.

#### Ford SUV

#50-8974	2 Door	Explorer	1991-05
#50-8975	4 Door	Explorer	1991-05

Chrome Wheel Covers and Center Caps



50-4480



50-4482



50-4483



50-4484



Before



After



50-4495

Enhance the appearance of your SUV with Chrome Wheel Covers. Engineered to match the shape and design of your OE wheels for a perfect fit. Wheel Covers simply snap into place and fit like a glove over your stock wheels. Instantly transforms your OE wheels from stock to chrome. This is the fastest, easiest and least expensive way you can add chrome wheels to your ride. Covers fit only the sizes and styles shown, check yours before ordering.

- Constructed from high-impact ABS.
- Triple chrome plated.
- Fast and easy installation.

PART	DESCRIPTION AND APPLICATION	REQD	LIST	SELL
50-4480	CHROME WHEEL COVER SET-4PC 15" EXPLORER	95-01 (1)	74.94	59.95
50-4482	CHROME WHEEL COVER SET-4PC 15" EXPLORER	01 (1)	74.94	59.95

50-4483	CHROME WHEEL COVER SET-4PC	16" EXPLORER	02-04 (1)	87.44	69.95
50-4484	CHROME WHEEL COVER SET-4PC	16" EXPLORER	02-05 (1)	124.94	99.95
50-4495	CHROME CENTER CAP SET-4PC	EXPLORER	95-01 (1)	74.94	59.95

Stainless Steel Trim Ring Sets



1-1/4" deep polished stainless steel Trim Rings will make your SUV's wheels stand out. Easy to install, simply snap them into place.

PART	DESCRIPTION AND APPLICATION	REQD	LIST	SELL
49-4200	TRIM RING SET 4PC 1-1/4" RIM 14" STAINLESS STEEL	(1)	74.94	59.95
49-4202	TRIM RING SET 4PC 1-1/4" RIM 15" STAINLESS STEEL	(1)	87.44	69.95

OE Style Replacement Hubcap

Explorer 1991-94



50-4586



50-4596

PART	DESCRIPTION AND APPLICATION	REQD	LIST	SELL
50-4586	HUBCAP-CHROME W/BLACK CENTER 2WD EXPLORER	91-94 (4)	87.44	69.95
50-4586	HUBCAP-CHROME W/BLACK CENTER 4WD EXPLORER	91-94 (2)	87.44	69.95
50-4596	HUBCAP-CHROME-FRONT	2WD EXPL LTD 93-94 (4)	149.94	119.95
50-4596	HUBCAP-CHROME W/OVAL-REAR	4WD EXPL LTD 93-94 (2)	149.94	119.95



Chrome Wheel Locks ... Safety and Security



40-1045

Gorilla wheel locks are the most advanced and unique locks on the market today. These wheel locks protect your wheels and tires like no other locks can because they are virtually impossible to remove without the matching security pattern key. Case hardened steel and triple chrome plating make these wheel locks an extra tough security system that's hard to beat. Patented key wrench adaptor and registration are included.

PART	DESCRIPTION AND APPLICATION	REQD	LIST	SELL
40-1045	WHEEL LOCK SET 1/2" CHROME	(1)	24.94	19.95
40-1048	WHEEL LOCK SET 14MMX1.50 CHROME	(1)	31.19	24.95
40-1049	WHEEL LOCK SET 14MMX2.00 CHROME	(1)	31.19	24.95

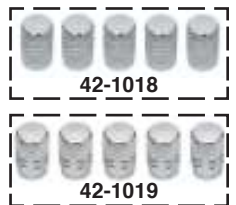
Tire Valve Stem Cap Sets



42-1023



42-1024



42-1018

42-1019

Add that finishing touch to your wheels with these Logo Valve Cap Sets. Made from chrome ABS plastic with a solid brass core that will never seize. The fade resistant logo is protected by hard urethane. Cap sets include four valve stem caps. Gift sets include four valve stem caps with key fob.

PART	DESCRIPTION AND APPLICATION	REQD	LIST	SELL
42-1022	FORD LOGO CAP SET	(1)	21.19	16.95
42-1023	FORD LOGO GIFT SET W/FOB	(1)	33.69	26.95
42-1024	AMERICAN FLAG LOGO CAP SET	(1)	21.19	16.95
42-1025	AMERICAN FLAG LOGO GIFT SET W/FOB	(1)	31.19	24.95

#42-1018 and #42-1019 include five caps; one for each tire plus an extra cap for your spare tire or to replace a lost or damaged one.

42-1018	ALUMINUM VALVE STEM CAP SET-5PC TEXTURED	(1)	8.69	6.95
42-1019	ALUMINUM VALVE STEM CAP SET-5PC HEX SHAPE	(1)	8.69	6.95



## Original Style Alloy Wheels

Original Style Alloy Wheels are the perfect replacement for hard to find and difficult to repair OE wheels. These wheels are designed and manufactured to the highest appearance and dimension standards. This is as close as you can get to your original wheels without paying the high price from the dealer. Install with your existing center caps or order new caps.

- Perfect replacement for damaged wheels.
- Great upgrade choice from steel wheels.
- Look just like original equipment wheels.



50-4556



50-4557



50-4592



50-4598

PART	DESCRIPTION AND APPLICATION	REQD	LIST	SELL
50-4556	WHEEL-ORIGINAL STYLE 15" X 7" EXPLORER	91-94 (4)	249.94	199.95
50-4557	WHEEL-ORIGINAL STYLE 16" X 7" EXPLORER	95-01 (4)	249.94	199.95
50-4592	CENTER CAP EXPLORER	95-01 (4)	74.94	59.95
50-4598	CENTER CAP EXPLORER	98-03 (4)	49.94	39.95
50-4558	WHEEL-ORIGINAL STYLE 16" X 7" EXPLORER	01-03 (4)	249.94	199.95
50-4579	WHEEL-ORIGINAL STYLE 16" X 7" EXPLORER	02-05 (4)	249.94	199.95
50-4600	CENTER CAP EXPLORER	02-05 (4)	62.44	49.95
50-0559	LUG NUT MODELS WITH CENTER CAPS	91-05(20)	2.44	1.95



50-4558



50-4579



50-4600

## Custom Wheels



Chrome Blade Wheel



Aluminum Modular Wheel



Polished Aluminum Modular Wheel



Aluminum 5 Spoke Wheel

Center Caps are not included and must be purchased separately, except where noted. Lug Nuts are not included and must be purchased separately.

**Chrome Blade Wheels** feature a tough rugged welded steel construction with a 5 blade directional design for the performance look. It has a triple chrome-plated finish for long-lasting wear.

48-3550	CHROME BLADE WHEEL	15" X 7"	5 LUG X 4.5" (4)	137.44	109.95
48-3551	CHROME BLADE WHEEL	15" X 8"	5 LUG X 4.5" (4)	149.94	119.95

**Aluminum Modular Wheels** feature one-piece cast aluminum construction with a 12 hole modular design and clear coat finish.

50-4572	ALUMINUM MODULAR WHEEL	15" X 7"	"A"5 LUG X 4.5" (4)	149.94	119.95
50-4573	ALUMINUM MODULAR WHEEL	15" X 8"	"A"5 LUG X 4.5" (4)	149.94	119.95

**Polished Aluminum Modular Wheels** feature one-piece cast aluminum construction with an 8 hole modular design fully polished to a high luster finish.

50-4574	POLISHED MODULAR WHEEL	15" X 7"	"A"5 LUG X 4.5" (4)	149.94	119.95
50-4575	POLISHED MODULAR WHEEL	15" X 8"	"A"5 LUG X 4.5" (4)	162.44	129.95
48-3566	POLISHED MODULAR WHEEL	17" X 8"	"A"5 LUG X135MM (4)	199.94	159.95
48-3567	POLISHED MODULAR WHEEL	17" X 8"	8 LUG X170MM (4)	199.94	159.95

Note: "A" Center cap included.

**Aluminum 5 Spoke Wheels** feature one-piece cast aluminum construction with a clear coat finish.

PART	DESCRIPTION AND APPLICATION	REQD	LIST	SELL
50-4570	ALUMINUM 5 SPOKE WHEEL 15" X 7" "A"5 LUG X 4.5" (4)	(4)	149.94	119.95
50-4571	ALUMINUM 5 SPOKE WHEEL 15" X 8" "A"5 LUG X 4.5" (4)	(4)	149.94	119.95

### Chrome Center Cap and Lug Nuts



50-4555



40-0785

PART	DESCRIPTION AND APPLICATION	REQD	LIST	SELL
50-4555	CENTER CAP-CHROME-CLOSED 5 LUG X 4.5" A/R		6.19	4.95
48-3627	CHROME CENTER CAP-OPEN 4WD 8 LUG X170MM (2)		12.44	9.95
48-3628	CHROME CENTER CAP-CLOSED 2WD 4WD 8 LUG X170MM A/R		12.44	9.95
40-0785	CHROME LUG NUT 1/2"	(20)	2.44	1.95
40-0928	CHROME LUG NUT 12MM X 1.75 A/R		2.44	1.95
40-0929	CHROME LUG NUT 14MM X 2.00 A/R		2.44	1.95
40-0933	CHROME LUG NUT 14MM X 1.50 A/R		2.44	1.95



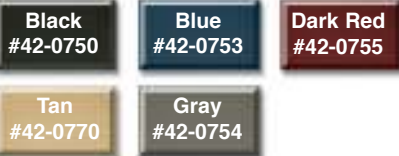
## Look New Again ... The Easy Way!

### Now You Can Be Sure All Your Interior Colors Match

ColorBond is a revolutionary compound that permanently changes the color of your interior. Simply sprays on and dries to the touch in 45 seconds, forming a complete bond in 10 minutes. The original grain pattern is never altered or hidden; no matter how many times ColorBond is applied, the grain pattern is still clearly visible. ColorBond will not crack, flake, peel or rub off from solid or flexible materials because the color becomes part of the surface.



Just  
**\$15<sup>95</sup>** each



#### ColorBond can be used on:

- Vinyl
- PVC
- Lexan
- Leather
- Polyurethane
- Acrylic
- ABS Plastic
- Polycarbonate
- Recycled Plastics

ColorBond is a semi-gloss finish that is OEM approved, UV stable and colorfast. Each 12 ounce can covers 7 square feet. Any material ColorBond is applied to should be cleaned with ColorBond Prep/Cleaner to remove any build-up of dirt, grease or chemicals.

**#42-0795**  
**\$15<sup>95</sup>**  
12 oz. Can  
**ColorBond Satin Clear Coat** provides a protective finish that won't wash off. Protects against fading, cracking and heat deterioration.

**#42-0794**  
**\$15<sup>95</sup>**  
12 oz. Can  
**ColorBond Adhesion Promoter** is required for the use of ColorBond on materials such as Polypropylene, Thermoplastic Elastomer, Polyolefin, Fiberglass and metal.

### Black Underhood Paint



Before



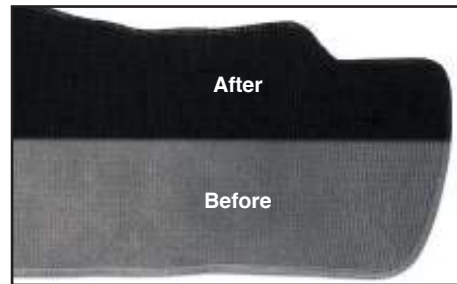
After



**#42-0777**  
**Black**  
**\$15<sup>95</sup>**

**ColorBond Black Underhood Paint** is designed to restore the finish of brackets, core supports, firewalls, heater boxes and inner fenders. Specially formulated acrylic lacquer provides the correct semi-gloss black finish for all of your underhood components. Underhood Paint withstands temperatures up to 250°F, but is not designed to be applied to your engine, manifolds or headers. Each 12 ounce can covers 6 square feet. Any material ColorBond is applied to should be cleaned with ColorBond Prep/Cleaner to remove any build-up of dirt, grease or chemicals. Call or go online and order yours today!

### Carpet Color Refinisher



**#42-0761**  
**Black**  
**\$15<sup>95</sup>**

**ColorBond Carpet Color Refinisher** is a new way to restore soiled or worn carpet. The proprietary formula molecularly bonds to carpeting for a finished result superior to conventional carpet cleaning. Can be used to touch up spots or to complete an entire carpet color transformation. Each 12 ounce can covers approximately 7 to 10 square feet. Dries in minutes and leaves a soft, feathery finish. Any material ColorBond is applied to should be cleaned with ColorBond Prep/Cleaner to remove any build-up of dirt, grease or chemicals.



### Prep/Cleaner

**#42-0799**  
**\$10<sup>95</sup>**  
12 oz. Can  
**ColorBond Prep/Cleaner** is a fast drying, non-solvent, multi-surface cleaner. It cleans and prepares the surface for use of ColorBond.

### Spitshine Tire Black ... Bring Back the Shine



Before

After



**#42-0760**  
**\$15<sup>95</sup>**

**ColorBond Spitshine Tire Black** is a specially formulated paint, not a clear silicone dressing, designed to restore a military shine to faded and scuffed tires. Spitshine is not greasy or tacky like other tire dressings that attract unsightly dirt and dust.

Each 12 ounce can is easy to apply; simply clean tires of any existing dressings, silicones and dirt with ColorBond Prep/Cleaner. Then mask the wheel or rim and apply in light coats. Tires keep their shine for a minimum of two months. Simply reapply Spitshine Tire Black if you scuff your tire or just want to brighten the look.

*Not for use on tires with white lettering or sidewalls.*

## OE Rear View Mirror - Manual

Explorer 1991-01

40-3650



49-6330

PART	DESCRIPTION AND APPLICATION	REQD	LIST	SELL
50-7100	REAR VIEW MIRROR 9" EXPLORER 91-94 (1)	(1)	49.94	39.95
50-7101	REAR VIEW MIRROR 9" EXPLORER 95-01 (1)	(1)	62.44	49.95
49-6330	REAR VIEW MIRROR 12" EXPLORER 91-94 (1)	(1)	112.44	89.95
40-3650	MIRROR MOUNT EXPLORER 91-94 (1)	(1)	4.94	3.95
40-3651	MIRROR MOUNT EXPLORER 95-01 (1)	(1)	7.44	5.95
42-0810	GLUE-MIRROR MOUNT (1)	(1)	4.94	3.95

## Replacement Rear View Mirror



49-6577



48-2037

Replacement Rear View Mirrors Include Mirror Mount

PART	DESCRIPTION AND APPLICATION	REQD	LIST	SELL
49-6575	BLACK REAR VIEW MIRROR DAY/NIGHT 8" (1)	(1)	13.69	10.95
49-6576	BLACK REAR VIEW MIRROR DAY/NIGHT 10" (1)	(1)	14.94	11.95
49-6577	BLACK REAR VIEW MIRROR DAY/NIGHT 12" (1)	(1)	16.19	12.95
48-2037	CHROME RR VIEW MIRROR DAY/NIGHT (1)	(1)	56.19	44.95
42-0810	GLUE-MIRROR MOUNT (1)	(1)	4.94	3.95

## Custom Replacement Rear View Mirrors



49-6562

49-6563

49-6564

49-6565

49-6566

49-6567

49-6568

49-6569

PART	DESCRIPTION AND APPLICATION	LIST	SELL
49-6562	CHROME REAR VIEW MIRROR RIBBED BACK 8"DAY/NIGHT	37.44	29.95
49-6563	CHROME REAR VIEW MIRROR BLACK FLAMES 8"	37.44	29.95
49-6564	CHROME REAR VIEW MIRROR SILVER FLAMES 8"	37.44	29.95
49-6565	CHROME REAR VIEW MIRROR BLACK FLAMES 10"DAY/NIGHT	37.44	29.95
49-6566	CHROME REAR VIEW MIRROR CHROME FLAMES 10"DAY/NIGHT	37.44	29.95
49-6567	CHROME REAR VIEW MIRROR SILVER FLAMES 10"DAY/NIGHT	37.44	29.95

Replacement Rear View Mirrors Include Mirror Mount

PART	DESCRIPTION AND APPLICATION	REQD	LIST	SELL
49-6568	BILLET REAR VIEW MIRROR POLISHED 9" (1)	(1)	62.44	49.95
49-6569	BILLET REAR VIEW MIRROR POLISHED FLAMES 10" (1)	(1)	62.44	49.95
42-0810	GLUE-MIRROR MOUNT (1)	(1)	4.94	3.95

## 12-Volt Accessory Power Outlet Kit



47-3642

Use this Accessory Power Outlet Kit to power any 12-volt accessory. Mounts easily under the dash with the included mounting bracket or installs into any 1-1/8" hole. Kit includes power outlet, cap and mounting hardware.

PART	DESCRIPTION AND APPLICATION	LIST	SELL
47-3642	ACCESSORY POWER OUTLET-12V	12.44	9.95

## Keyless Remote Access Adds Safety and Convenience

Unlock all your side doors with the touch of a button or the turn of your regular door key. It also works from the inside if locking or unlocking the driver's side door.



47-1100

This is a great safety and convenience add-on for your vehicle. This kit is easy to install with no switches. Universal application ... so call or go online and order today!

PART	DESCRIPTION AND APPLICATION	REQD	LIST	SELL
47-1100	KEYLESS REMOTE KIT 2 DOOR MODELS (1)	(1)	87.44	69.95
47-1101	KEYLESS REMOTE KIT 4 DOOR MODELS (1)	(1)	112.44	89.95

## Electric Door Lock Kit ... Easy to Install

Now you can unlock your side doors from the driver's side door just by the turn of your regular door key.



47-1110

Electric Door Locks also work from the inside if locking or unlocking the driver's side door. There are no messy switches to deal with. This kit is easy to install.

PART	DESCRIPTION AND APPLICATION	REQD	LIST	SELL
47-1110	ELECTRIC DOOR LOCK KIT 2 DOOR MODELS (1)	(1)	62.44	49.95

## Power Window Kit

Convert your manually operated windows to electric with this Power Window Kit. This kit connects an electric motor to your existing window regulators. Multiple switch construction allows the driver to operate all windows. Comes with easy-to-follow instructions, adaptors, hardware and color-coded wiring harness for an error-free installation.



47-1105

PART	DESCRIPTION AND APPLICATION	REQD	LIST	SELL
47-1105	POWER WINDOW KIT 2 DOOR MODELS (1)	(1)	212.44	169.95
47-1106	POWER WINDOW KIT 4 DOOR MODELS (1)	(1)	374.94	299.95

## Foam Steering Wheels ... For a Comfortable Grip



50-4770



50-4772



The 3-dimensional, hi-tech, dual plane, silver or black 4 spoke design offers you a "world class look", with added strength and safety. The rim is covered with a specially formulated black foam to give a comfortable grip. Wheel measures 13-1/2" in diameter with a 3" dish.

A Steering Wheel Installation Kit must be used to install Steering Wheels.

Available in Silver or Black Finish

50-4770	STEERING WHEEL-4 SPOKE	SILVER EXPLORER	91-94 (1)	99.94	79.95
50-4772	STEERING WHEEL-4 SPOKE	BLACK EXPLORER	91-94 (1)	99.94	79.95
50-4782	INSTALLATION KIT-BLACK	EXPLORER	91-94 (1)	37.44	29.95

## Wood and Leather Steering Wheels ... The Ultimate Look for Your Truck



48-1168



48-1167



48-1166



42-0732



42-0731



42-0729

Billet Horn Buttons Include Mounting Hardware.

Update the look of your interior with a stylish new steering wheel. These 14" diameter, 3 spoke steering wheels are a half-wrap design featuring a billet back with a wood or leather front. The facing ring is available in hand-rubbed wood or hand-stitched genuine black leather for classic looks and a comfortable feel. The one-piece billet backing ring has contoured finger notches for a strong, solid grip.

### Steering Wheels

48-1168	WOOD STEERING WHEEL-POLISHED	14"	124.94	99.95
48-1167	LEATHER STEERING WHEEL-POLISHED	14"	99.94	79.95
48-1166	LEATHER STEERING WHEEL-BLACK	14"	99.94	79.95

### Billet Horn Buttons

42-0732	BILLET HORN BUTTON-POLISHED	PLAIN	31.19	24.95
42-0731	BILLET HORN BUTTON-POLISHED	FORD	49.94	39.95
42-0729	BILLET HORN BUTTON-BLACK	PLAIN	31.19	24.95
42-0728	BILLET HORN BUTTON-BLACK	FORD	49.94	39.95

The Wood Steering Wheel has been stained to a rich mahogany color and urethane-coated for better heat resistance and long life. Leather Steering Wheels are available in matte black powder coat or high-polished finish.



Each steering wheel requires a horn button and an installation kit; sold separately below. Horn buttons are available plain or logoed and in black or polished finish. Installation kits are available in matte black steel (3-3/8" dish).

PART	DESCRIPTION AND APPLICATION	REQD	LIST	SELL
50-4782	INSTALLATION KIT-BLACK	EXPLORER	91-94 (1)	37.44 29.95

## 8" Powered Subwoofer



1 Year Warranty

Features include a fully adjustable crossover network between 50-100Hz, independent gain (volume) and 0 or 180-degree phase

This 8-inch powered subwoofer is an excellent addition to your vehicle's audio system and is compact enough to install conveniently without sacrificing valuable space. Housed in a rigid die-cast aluminum chassis for better heat dissipation and powered by a built-in 100-watt amplifier, this subwoofer is able to reproduce frequencies down to 35Hz.

control. The subwoofer can be connected to your radio with low level input RCA connectors or wired directly to your radio through the high level input using the supplied wiring harness.

- Aluminum enclosure for optimum heat dissipation.
- Output power: 100 watts RMS/200 watts max.
- Frequency response: 35-100Hz.
- Total harmonic distortion: 0.08%
- High/low level inputs.
- Dimensions: 9" x 2.75" x 13.75". Weight: 9 lbs.
- Mounting brackets and wiring harness included.
- Includes wired remote bass control.

48-8527	POWERED SUBWOOFER-8"	100 WATT	274.94	219.95
---------	----------------------	----------	--------	--------

## Amplified Hide-Away Antenna



49-0944

The Amplified Hide-Away Antenna allows you to get great AM/FM reception without having to use a standard fender-mount or window antenna. It uses active magnetic field circuitry

for enhanced radio reception and can be installed almost anywhere in your vehicle, thanks to the 105" cable. Connects to a standard antenna plug and the radio's power antenna wire (if equipped) or a switched 12V positive power source. Never worry about a stolen or damaged exterior antenna again.

PART	DESCRIPTION AND APPLICATION	REQD	LIST	SELL
49-0944	HIDE-AWAY ANTENNA-AMPLIFIED	(1)	31.19	24.95

## Molded Plastic Dash Cover ... The Solution for a Faded and Split Dash

Explorer 1991-94

A replacement cover for the faded, split top of your existing dash. Made from a molded heat-resistant black plastic that expands and contracts with the temperature changes for durability. Painted in colors as shown with an ultraviolet inhibitor to prevent damage by the sun.



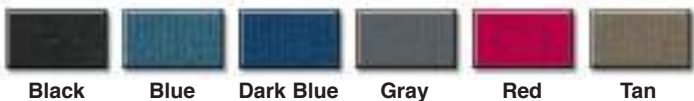
PART	DESCRIPTION AND APPLICATION	REQD	LIST	SELL
50-8777-BL DASH COVER	BLACK EXPLORER 91-94 (1)	149.94	119.95	
50-8777-LL DASH COVER	BLUE EXPLORER 91-94 (1)	174.94	139.95	
50-8777-DR DASH COVER	DARK RED EXPLORER 91-94 (1)	174.94	139.95	
50-8777-TN DASH COVER	TAN EXPLORER 91-94 (1)	174.94	139.95	
50-8777-GR DASH COVER	GRAY EXPLORER 91-94 (1)	174.94	139.95	

Designed to install quickly, it slips right over the existing dash covering the full length of your dash without the use of special tools. Adhesive is included.

## Dash Protector Helps Prevent Fading and Cracking



Dash Protector helps eliminate the need for dash replacement and provides preventative care for the undamaged dash. Made from soft, velvety, cut-pile polyester that has special UV inhibitors to block the sun and resist shrinking and fading. They are custom cut to fit your dash and feature pre-cut allowances for defrost vents, which makes installation easy using self-adhesive Velcro tabs.



PART	DESCRIPTION AND APPLICATION	REQD	LIST	SELL
50-8771-BL DASH PROTECTOR-VELOUR	BLACK EXPLORER 91-92 (1)	56.19	44.95	
50-8771-DL DASH PROTECTOR-VELOUR	DARK BLUE EXPLORER 91-92 (1)	56.19	44.95	
50-8771-GR DASH PROTECTOR-VELOUR	GRAY EXPLORER 91-92 (1)	56.19	44.95	
50-8771-RD DASH PROTECTOR-VELOUR	RED EXPLORER 91-92 (1)	56.19	44.95	
50-8771-TN DASH PROTECTOR-VELOUR	TAN EXPLORER 91-92 (1)	56.19	44.95	
50-8772-BL DASH PROTECTOR-VELOUR	BLACK EXPLORER 93-94 (1)	56.19	44.95	
50-8772-LL DASH PROTECTOR-VELOUR	BLUE EXPLORER 93-94 (1)	56.19	44.95	
50-8772-GR DASH PROTECTOR-VELOUR	GRAY EXPLORER 93-94 (1)	56.19	44.95	
50-8772-RD DASH PROTECTOR-VELOUR	RED EXPLORER 93-94 (1)	56.19	44.95	
50-8772-TN DASH PROTECTOR-VELOUR	TAN EXPLORER 93-94 (1)	56.19	44.95	

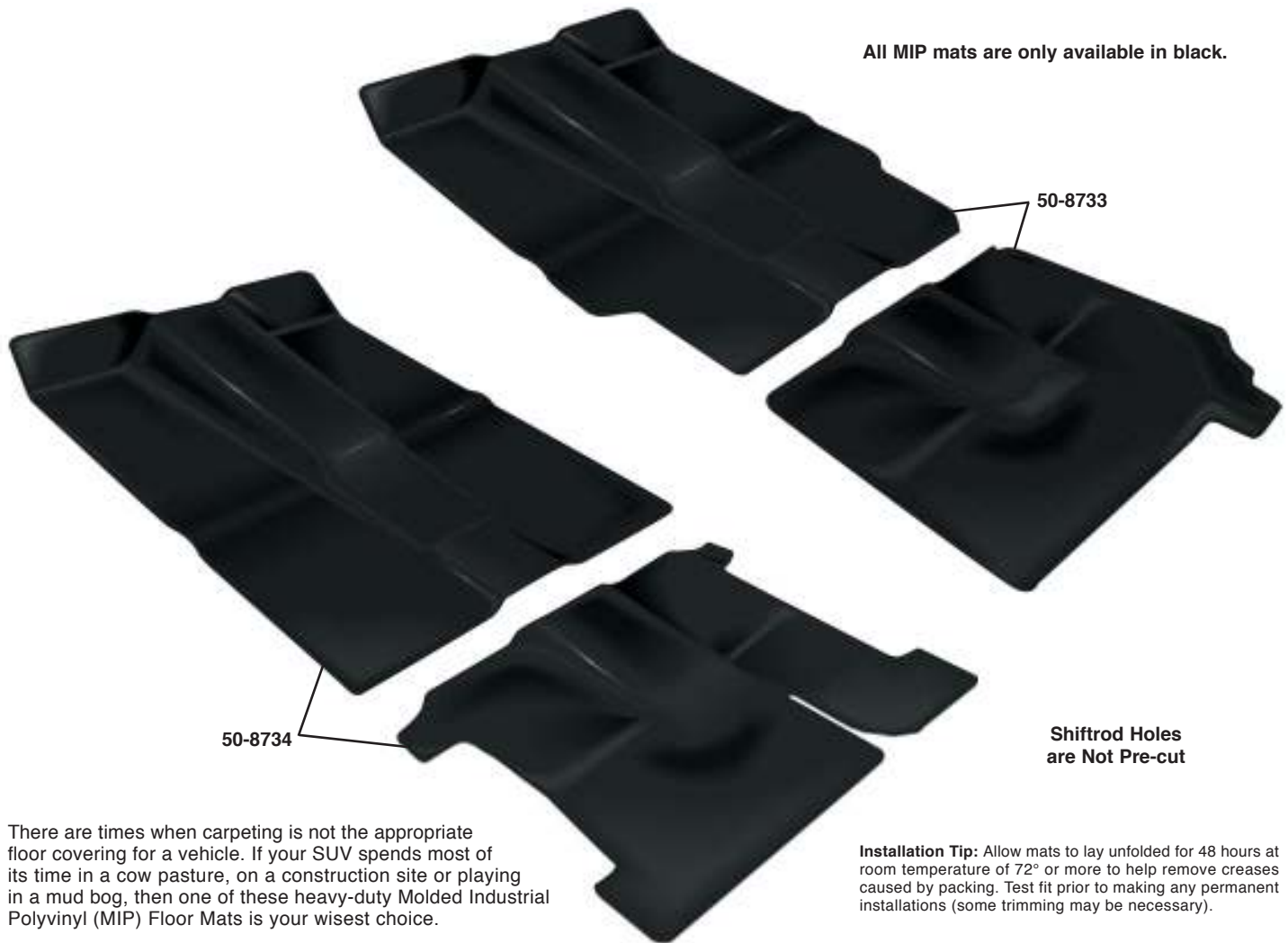


PART	DESCRIPTION AND APPLICATION	REQD	LIST	SELL
50-8773-BL DASH PROTECTOR-VELOUR "A"	BLACK EXPLORER 95-01 (1)	56.19	44.95	
50-8773-LL DASH PROTECTOR-VELOUR "A"	BLUE EXPLORER 95-01 (1)	56.19	44.95	
50-8773-GR DASH PROTECTOR-VELOUR "A"	GRAY EXPLORER 95-01 (1)	56.19	44.95	
50-8773-LG DASH PROTECTOR-VELOUR "A"	LTGRY EXPLORER 95-01 (1)	56.19	44.95	
50-8773-TN DASH PROTECTOR-VELOUR "A"	TAN EXPLORER 95-01 (1)	56.19	44.95	
50-8774-BL DASH PROTECTOR-VELOUR "B"	BLACK EXPLORER 95-01 (1)	56.19	44.95	
50-8774-LL DASH PROTECTOR-VELOUR "B"	BLUE EXPLORER 95-01 (1)	56.19	44.95	
50-8774-GR DASH PROTECTOR-VELOUR "B"	GRAY EXPLORER 95-01 (1)	56.19	44.95	
50-8774-LG DASH PROTECTOR-VELOUR "B"	LTGRY EXPLORER 95-01 (1)	56.19	44.95	
50-8774-TN DASH PROTECTOR-VELOUR "B"	TAN EXPLORER 95-01 (1)	56.19	44.95	
50-8810-BL DASH PROTECTOR-VELOUR "A"	BLACK EXPLORER 02-05 (1)	56.19	44.95	
50-8810-GR DASH PROTECTOR-VELOUR "A"	GRAY EXPLORER 02-05 (1)	56.19	44.95	
50-8810-TN DASH PROTECTOR-VELOUR "A"	TAN EXPLORER 02-05 (1)	56.19	44.95	
50-8811-BL DASH PROTECTOR-VELOUR "B"	BLACK EXPLORER 02-05 (1)	56.19	44.95	
50-8811-GR DASH PROTECTOR-VELOUR "B"	GRAY EXPLORER 02-05 (1)	56.19	44.95	
50-8811-TN DASH PROTECTOR-VELOUR "B"	TAN EXPLORER 02-05 (1)	56.19	44.95	

Note: "A" Without sensor located on top of dash.  
"B" With sensor located on top of dash.

1/8" Thick Molded Industrial Polyvinyl (MIP) Floor Mats

All MIP mats are only available in black.



There are times when carpeting is not the appropriate floor covering for a vehicle. If your SUV spends most of its time in a cow pasture, on a construction site or playing in a mud bog, then one of these heavy-duty Molded Industrial Polyvinyl (MIP) Floor Mats is your wisest choice.

1/8" thick industrial Polyvinyl is resistant to moisture and temperature; therefore, it will not dry rot or crack and lasts years longer than rubber.

These mats are easy to clean and extremely durable. They protect your SUV's interior from water, snow, mud and most chemicals including gasoline, oil and battery acid. MIP mats are vacuum molded from the original floor pan to cover the entire cab floor making installation easy.

**Installation Tip:** Allow mats to lay unfolded for 48 hours at room temperature of 72° or more to help remove creases caused by packing. Test fit prior to making any permanent installations (some trimming may be necessary).

The MIP floor mat includes 36 ounce jute padding under the front passenger area to provide a higher level of insulation against heat, cold and road noise.

PART	DESCRIPTION AND APPLICATION	REQD	LIST	SELL
50-8733	MIP FLOOR MAT SET-BLACK	2 DOOR	91-94 (1) 337.44	269.95
50-8734	MIP FLOOR MAT SET-BLACK	4 DOOR	91-94 (1) 337.44	269.95

Sound Control Mat ... Hear and Feel the Difference



Sound Control Mat is scientifically designed to dramatically reduce noise, vibration and heat created from the engine, road and structure of your vehicle. Can be applied to any interior surface area; cover as little as 25% of an area for a noticeable reduction. Easy to cut and bend the 2mm thick sheet to conform to contoured surfaces, just peel and stick. Each sheet measures 21" x 29".

Roller ensures proper adhesion and provides a professional, smooth appearance. Features a 2" wide rubber roller with a plastic handle.

PART	DESCRIPTION AND APPLICATION	LIST	SELL
48-2594	SOUND CONTROL MAT 1 SHEET	4.22 SQUARE FEET	23.69 18.95
48-2584	SOUND CONTROL MAT 10 SHEETS	42.2 SQUARE FEET	212.44 169.95
48-2592	ROLLER-SOUND CONTROL MAT	2" WIDE	11.19 8.95

## Molded Carpet ... Fits and Looks Like Original

Cut pile carpet is molded from the original floor pan for a perfect fit that covers the entire floor. It's made from 100% nylon with an OE type heel pad. The heavy 36 ounce jute padding under the front passenger area helps insulate against heat and reduces road noise.

Color coordinated original style heel pad is attached and an easy-to-install dimmer switch grommet is also included. The color coordinated vinyl binding helps prevent fraying and adds the finishing touch.



50-8714-LL

Shiftrod and Steering Column  
Holes are Not Pre-cut

### 1991-94



### 1995-05



PART	DESCRIPTION AND APPLICATION	REQD	LIST	SELL
<b>Explorer 2 Door Complete Carpet Set</b>				
50-8713-BL	MOLDED CARPET SET BLACK 2 DOOR	91-94 (1)	362.44	289.95
50-8713-LL	MOLDED CARPET SET BLUE 2 DOOR	91-94 (1)	362.44	289.95
50-8713-RD	MOLDED CARPET SET RED 2 DOOR	91-94 (1)	362.44	289.95
50-8713-TN	MOLDED CARPET SET TAN 2 DOOR	91-94 (1)	362.44	289.95
50-8713-GR	MOLDED CARPET SET GRAY 2 DOOR	91-94 (1)	362.44	289.95
50-8713-BL	MOLDED CARPET SET BLACK 2 DOOR	95-00 (1)	362.44	289.95
50-8713-DG	MOLDED CARPET SET DARK GRAY 2 DOOR	95-00 (1)	362.44	289.95
50-8713-TN	MOLDED CARPET SET TAN 2 DOOR	95-96 (1)	362.44	289.95
50-8713-DT	MOLDED CARPET SET DARK TAN 2 DOOR	95-00 (1)	362.44	289.95
<b>Explorer 4 Door Complete Carpet Set</b>				
50-8714-BL	MOLDED CARPET SET BLACK 4 DOOR	91-94 (1)	362.44	289.95
50-8714-LL	MOLDED CARPET SET BLUE 4 DOOR	91-94 (1)	362.44	289.95
50-8714-RD	MOLDED CARPET SET RED 4 DOOR	91-94 (1)	362.44	289.95
50-8714-TN	MOLDED CARPET SET TAN 4 DOOR	91-94 (1)	362.44	289.95
50-8714-GR	MOLDED CARPET SET GRAY 4 DOOR	91-94 (1)	362.44	289.95
50-8714-BL	MOLDED CARPET SET BLACK 4 DOOR	95-01 (1)	362.44	289.95
50-8714-DG	MOLDED CARPET SET DARK GRAY 4 DOOR	95-01 (1)	362.44	289.95
50-8714-TN	MOLDED CARPET SET TAN 4 DOOR	95-96 (1)	362.44	289.95
50-8714-DT	MOLDED CARPET SET DARK TAN 4 DOOR	95-01 (1)	362.44	289.95
50-8719-BL	MOLDED CARPET SET BLACK 4 DOOR	02-05 (1)	262.44	209.95
50-8719-DG	MOLDED CARPET SET DARK GRAY 4 DOOR	02-05 (1)	262.44	209.95
50-8719-DT	MOLDED CARPET SET DARK TAN 4 DOOR	02-05 (1)	262.44	209.95

## Multi-Purpose Heat and Sound Insulation

Uses Space Age technology to insulate against heat, cold and noise. This 4-foot x 6-foot sheet is made of 3/8" sound deadening fiber padding. Highly reflective aluminum is bonded on one side to achieve 97% reflection of radiant heat. Works great under the hood, under your carpet or rubber mat, above headliners, behind door panels, on the firewall and behind the seat. This Multi-Purpose Insulation has numerous household uses. Save on your gas and electric bills by insulating your water heater, pipes, garage doors and attic. Use this Multi-Purpose Insulation with Sound Control Mat, sold on page 62, for maximum sound deadening. Call or go online and order both today!



PART	DESCRIPTION AND APPLICATION	LIST	SELL
48-2590	MULTI-PURPOSE INSULATION 4FT X 6FT ROLL	37.44	29.95
42-0798	SPRAY ADHESIVE 10.5 OUNCE CAN	9.94	7.95
42-0850	ALUMINUM TAPE 2" X 30FT ROLL	4.94	3.95
42-0812	WEATHERSTRIP ADHESIVE-BLK 5 OUNCE TUBE	8.69	6.95

Use #42-0798 Spray Adhesive and #42-0850 Aluminum Tape or #42-0812 Weatherstrip Adhesive to easily install Insulation Material.

## Floor Liners ... Keep Your Carpet Looking Like New



Front Floor Liners

Protect your carpet from water, snow, mud and most chemicals including gasoline, oil and battery acid. Molded for an exact fit from a patented rubberized thermoplastic material, guaranteed not to crack or break. The raised outer rim can trap up to two gallons of liquid.

The driver's side mat is equipped with an extra-thick heel pad to offer heel protection and help guard against wear in this high-use area.

These liners are designed to conform to the shape of your vehicle's floor and the anti-slip back keeps the mat in place.

Cleanup is easy, too. Just wipe up small areas with a cloth or remove the mat and hose it off.



Cargo Floor Liners

PART	DESCRIPTION AND APPLICATION	LIST	SELL	PART	DESCRIPTION AND APPLICATION	LIST	SELL
				<b>2002-05 Explorer</b>			
	<b>1991-94 Explorer</b>			50-4824-BL	FRONT FLOOR LINER SET-BLACK	EXPLORER	02-05 99.94 79.95
50-4825-GR	CARGO FLOOR LINER-GRAY 2DR EXPLORER	91-94 124.94	99.95	50-4824-GR	FRONT FLOOR LINER SET-GRAY	EXPLORER	02-05 99.94 79.95
50-4825-TN	CARGO FLOOR LINER-TAN 2DR EXPLORER	91-94 124.94	99.95	50-4824-TN	FRONT FLOOR LINER SET-TAN	EXPLORER	02-05 99.94 79.95
50-4826-BL	CARGO FLOOR LINER-BLACK 4DR EXPLORER	91-94 124.94	99.95	50-4812-BL	2ND ROW FLOOR LINER-BLACK	"A" EXPLORER	02-05 99.94 79.95
	<b>1995-01 Explorer</b>			50-4812-GR	2ND ROW FLOOR LINER-GRAY	"A" EXPLORER	02-05 99.94 79.95
50-4820-BL	FRONT FLOOR LINER SET-BLACK EXPLORER	95-01 99.94	79.95	50-4812-TN	2ND ROW FLOOR LINER-TAN	"A" EXPLORER	02-05 99.94 79.95
50-4820-GR	FRONT FLOOR LINER SET-GRAY EXPLORER	95-01 99.94	79.95	50-4813-BL	2ND ROW FLOOR LINER-BLACK	"B" EXPLORER	03-05 99.94 79.95
50-4820-TN	FRONT FLOOR LINER SET-TAN EXPLORER	95-01 99.94	79.95	50-4813-GR	2ND ROW FLOOR LINER-GRAY	"B" EXPLORER	03-05 99.94 79.95
50-4825-GR	CARGO FLOOR LINER-GRAY 2DR EXPLORER	95-01 124.94	99.95	50-4813-TN	2ND ROW FLOOR LINER-TAN	"B" EXPLORER	03-05 99.94 79.95
50-4825-TN	CARGO FLOOR LINER-TAN 2DR EXPLORER	95-01 124.94	99.95	50-4815-BL	3RD ROW FLOOR LINER-BLACK	"A" EXPLORER	03-05 99.94 79.95
50-4826-BL	CARGO FLOOR LINER-BLACK 4DR EXPLORER	95-99 124.94	99.95	50-4815-GR	3RD ROW FLOOR LINER-GRAY	"A" EXPLORER	03-05 99.94 79.95
				50-4815-TN	3RD ROW FLOOR LINER-TAN	"A" EXPLORER	03-05 99.94 79.95
				50-4816-GR	3RD ROW FLOOR LINER-GRAY	"B" EXPLORER	03-05 99.94 79.95
				50-4817-BL	CARGO FLOOR LINER-BLACK	"C" EXPLORER	02-05 124.94 99.95
				50-4817-GR	CARGO FLOOR LINER-GRAY	"C" EXPLORER	02-05 124.94 99.95
				50-4817-TN	CARGO FLOOR LINER-TAN	"C" EXPLORER	02-05 124.94 99.95
				50-4818-BL	CARGO FLOOR LINER-BLACK	"D" EXPLORER	02-05 99.94 79.95
				50-4818-TN	CARGO FLOOR LINER-TAN	"D" EXPLORER	02-05 99.94 79.95

Note: "A" For models with 2nd row bench seat.  
 "B" For models with 2nd row bucket seats.  
 "C" For models without 3rd row seat.  
 "D" For models with 3rd row seat.



## Lap Seat Belts

**40-0304**      **48-2349-BL**

Seat Belts are 74" long and designed with a quick release push-button buckle. Constructed of OE quality herringbone webbing to ensure the safety of you and your passengers. Federal regulations require seat belts in all vehicles manufactured after July 1971. You must reuse your existing attaching hardware or purchase new seat belt bolts.

PART	DESCRIPTION AND APPLICATION	REQD	LIST	SELL
48-2349-BL	LAP SEAT BELT-BLACK EXPLORER	91-94 A/R	31.19	24.95
48-2349-LL	LAP SEAT BELT-BLUE EXPLORER	91-94 A/R	31.19	24.95
48-2349-GR	LAP SEAT BELT-GRAY EXPLORER	91-94 A/R	31.19	24.95
48-2349-RD	LAP SEAT BELT-RED EXPLORER	91-94 A/R	31.19	24.95
48-2349-TN	LAP SEAT BELT-TAN EXPLORER	91-94 A/R	31.19	24.95
40-0304	SEAT BELT BOLT 1-3/8" LONG EXPLORER	91-94 A/R	9.94	7.95
40-0305	SEAT BELT BOLT 1-3/4" LONG EXPLORER	91-94 A/R	12.44	9.95

## Heavy-Duty Retractable Lap Seat Belts

**48-2340-BL**

Blue  
Gray  
Red  
Tan

Seat Belts are 60" long and have an OE design made of herringbone webbing with a push-button buckle. Complete with self-adjusting retractor assembly. Installation instructions and hardware are included. Federal regulations require seat belts in all vehicles manufactured after July 1971.

PART	DESCRIPTION AND APPLICATION	REQD	LIST	SELL
48-2340-BL	RETRACTABLE LAP SEAT BELT-BLACK EXPLORER	91-94 (2)	74.94	59.95
48-2340-LL	RETRACTABLE LAP SEAT BELT-BLUE EXPLORER	91-94 (2)	74.94	59.95
48-2340-GR	RETRACTABLE LAP SEAT BELT-GRAY EXPLORER	91-94 (2)	74.94	59.95
48-2340-RD	RETRACTABLE LAP SEAT BELT-RED EXPLORER	91-94 (2)	74.94	59.95
48-2340-TN	RETRACTABLE LAP SEAT BELT-TAN EXPLORER	91-94 (2)	74.94	59.95

## Logo Floor Mats Protect Your Carpet

These mats protect your carpets from the everyday wear and tear as well as mud, sand, snow and the sun which cause your carpet to fade. They are trimmed with color coordinated vinyl binding and feature an embroidered Ford oval logo and a grip lock non-skid backing to help them stay in place.

Floor mats are made from  
OE 100% Nylon cut pile.

PART	DESCRIPTION AND APPLICATION	REQD	LIST	SELL
50-8741-BL	FLOOR MAT SET-BLACK W/OVAL 2PC EXPLORER	91-99 (1)	124.94	99.95



## Heavy-Duty Rubber Floor Mat Sets ... Protection at an Affordable Price

These All-Season Mats are extra large for maximum coverage and protection. Four-piece set includes two extra large front mats and two rear mats. Perfect for all trucks and SUVs.

- Extra high border and channeled design trap water, mud and debris.
- Nibbed backing keeps mats securely in place.
- Mats can be trimmed to accommodate floor and pedal configurations.
- Available in black, gray and beige.

Front mats are 28" long and 20-1/2" wide; rear mats are 13-1/2" long and 17" wide.

PART	DESCRIPTION AND APPLICATION	REQD	LIST	SELL
49-5875	HD RUBBER FLOOR MAT SET-BLACK 4 PIECE SET	(1)	49.94	39.95
49-5876	HD RUBBER FLOOR MAT SET-GRAY 4 PIECE SET	(1)	49.94	39.95
49-5877	HD RUBBER FLOOR MAT SET-BEIGE 4 PIECE SET	(1)	49.94	39.95



Shop Online ... Fast, Simple & Safe  
[www.LMCTRUCK.com](http://www.LMCTRUCK.com)

24 Hours A Day      7 Days A Week

Online Catalogs Available!

## Chrome Dash Knob

Explorer 1991-94



PART	DESCRIPTION AND APPLICATION	REQD	LIST	SELL
40-2542	CHROME DASH KNOB "A" EXPLORER	91-94 A/R	12.44	9.95

Note: "A" Will replace original 1991-94 square black knobs.

## Embroidered Logo Hats

42-0644-LL \$16<sup>00</sup>42-0645-LL \$17<sup>00</sup>42-0646-BL \$16<sup>00</sup>42-0646-OW \$16<sup>00</sup>42-0646-PK \$16<sup>00</sup>42-0649-BG \$10<sup>00</sup>42-0648-TN \$10<sup>00</sup>

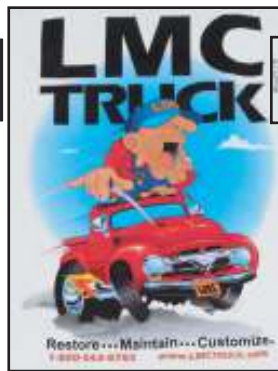
Adjustable Strap

These low-profile cotton twill embroidered logo hats are comfortable and stylish. Ford logos are officially licensed by Ford Motor Company. One size fits all with the adjustable rear strap.

## T-shirts ... Show Your Ford Pride



Front



Front



## Sizes Available:

• Large • X-Large • XX-Large • XXX-Large

High-quality, 100% cotton, preshrunk T-shirts are available in four sizes. They make a great gift for any Chevrolet enthusiast.

T-shirts are silkscreened in vivid color and feature a pocket size design on the front of the T-shirts. Call or go online and order today!

PART	DESCRIPTION	SIZE	LIST	SELL
42-0982-L	LMC TOON T-SHIRT	LARGE	18.69	14.95
42-0982-1X	LMC TOON T-SHIRT	X-LARGE	18.69	14.95
42-0982-2X	LMC TOON T-SHIRT	XX-LARGE	21.19	16.95
42-0982-3X	LMC TOON T-SHIRT	XXX-LARGE	21.19	16.95
42-0983-L	USA FLAG T-SHIRT	LARGE	18.69	14.95
42-0983-1X	USA FLAG T-SHIRT	X-LARGE	18.69	14.95
42-0983-2X	USA FLAG T-SHIRT	XX-LARGE	21.19	16.95
42-0983-3X	USA FLAG T-SHIRT	XXX-LARGE	21.19	16.95

## Vintage Metal Ford Coolers

Coolers feature embossed logos, insulated all-metal construction, removable mini tray and side-mount bottle opener. (Beverages not included.)

Measures 18"L x 9"W x 14"H.



42-0950 Blue

\$99<sup>95</sup> each

42-0951 Black

## LMC Truck Synthetic Chamois

#42-1002

\$7<sup>95</sup> each

**LMC TRUCK**  
EXCLUSIVE



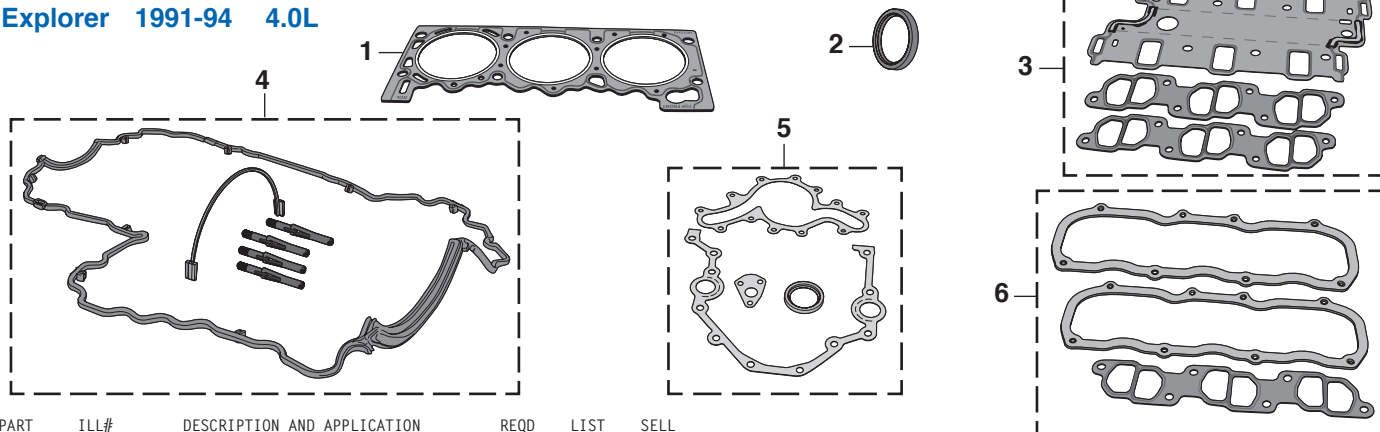
The LMC Truck Synthetic Chamois is made from a unique Polyvinyl Alcohol (PVA) material. The extremely soft, sponge-like material gives it remarkable drying ability. Not only will your vehicle dry quickly, but the Chamois will also leave it lint-, spot- and streak-free over and over again! The Chamois is ready to use right out of its convenient plastic storage tube. When finished, simply rinse with clean warm water, wring it out (do not machine-dry) and return it to its storage tube even while still damp. Order more than one LMC Truck Synthetic Chamois today!

## Typical Uses:

- Great for drying trucks, SUVs, cars, motorcycles and boats.
- Works effectively on chrome, tile countertops and more.
- Use it anywhere you would use a chamois, towel or sponge.
- Resistant to dirt, grease, oil and most chemicals.
- Durable, long-lasting synthetic material measures 26" x 17".

## Engine Gaskets

Explorer 1991-94 4.0L

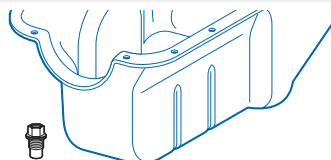


PART	ILL#	DESCRIPTION AND APPLICATION	REQD	LIST	SELL
50-1068	(1)	HEAD GASKET-LH	EXPLORER 91-94 (1)	49.94	39.95
50-1069		HEAD GASKET-RH	EXPLORER 91-94 (1)	49.94	39.95
50-1082	(2)	MAIN SEAL-REAR	EXPLORER 91-94 (1)	18.69	14.95
50-1986	(3)	MANIFOLD GASKET-INTAKE	EXPLORER 91-94 (1)	49.94	39.95
50-1998		MANIFOLD GASKET-EXHAUST	EXPLORER 91-94 (1)	7.44	5.95

PART	ILL#	DESCRIPTION AND APPLICATION	REQD	LIST	SELL
50-0762	(4)	OIL PAN GASKET	EXPLORER 91-94 (1)	31.19	24.95
50-1099	(5)	TIMING COVER SET	EXPLORER 91-94 (1)	14.94	11.95
50-1056	(6)	VALVE COVER GASKET SET	EXPLORER 91-94 (1)	48.69	38.95

## Oil Pan Drain Plug

Explorer 1991-05

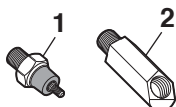


40-4077

PART	DESCRIPTION AND APPLICATION	REQD	LIST	SELL
40-4077	OIL PAN DRAIN PLUG-MAGNETIC 14MM	EXPLORER 91-05 (1)	6.19	4.95

## Oil Pressure Switch

Explorer 1991-01



PART	ILL#	DESCRIPTION AND APPLICATION	REQD	LIST	SELL
47-0840	(1)	OIL PRESSURE SWITCH 4.0L	EXPLORER 91-98 (1)	7.44	5.95
47-0985	(2)	FITTING-OIL PRESSURE SWITCH 4.0L	EXPLORER 91-01 (1)	23.69	18.95

## Oil Filler Cap

Explorer 1991-01



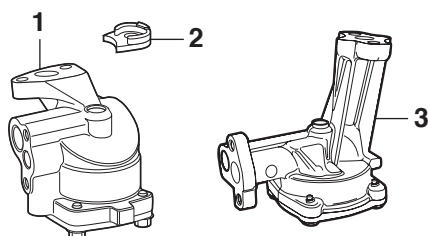
43-4352

W/OHV = With Overhead Valve

PART	DESCRIPTION AND APPLICATION	REQD	LIST	SELL
43-4352	OIL FILLER CAP W/OHV 4.0L	EXPLORER 91-01 (1)	4.94	3.95
43-4352	OIL FILLER CAP 5.0L	EXPLORER 96-01 (1)	4.94	3.95

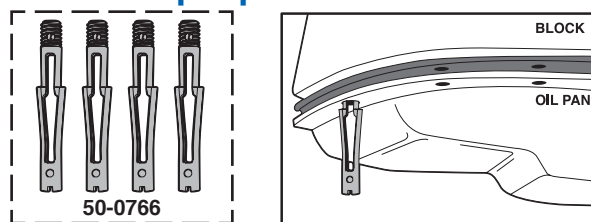
## Oil Pump

Explorer 1991-01



PART	ILL#	DESCRIPTION AND APPLICATION	REQD	LIST	SELL
50-1892	(1)	OIL PUMP 4.0L	EXPLORER 91-01 (1)	162.44	129.95
50-8569	(2)	CLAMP-DRIVE GEAR 4.0L	EXPLORER 91-01 (1)	24.94	19.95
40-7546	(3)	OIL PUMP 5.0L	EXPLORER 96-01 (1)	43.69	34.95

## Oil Pan Snap-Ups



Make your next oil pan installation a snap with Oil Pan Snap-Ups. Chances are, you've struggled to try to hold the pan in position and line up the mounting holes, all while trying to get the bolt threads started to hold the pan up. Oil Pan Snap-Ups save time and prevent frustration by holding the pan and the gasket in place to allow for quick and easy bolt installation. Call or go online and order yours today!

PART	DESCRIPTION AND APPLICATION	REQD	LIST	SELL
50-0766	ENGINE OIL PAN SNAP-UPS	EXPLORER 91-01 (1)	8.69	6.95
40-4088	TRANS OIL PAN SNAP-UPS W/ OVERDRIVE	EXPLORER 91-01 (1)	8.69	6.95

## EZ Oil Drain Valve

EZ Oil Drain Valve allows you to quickly change your oil with little to no mess. The innovative design is more compact than other oil drain valves and there is no lever to catch on obstacles. It doesn't require any adapters and is easily installed with a socket or wrench.



The aluminum crush washer (included) ensures a tight, leak-free seal. The highly visible orange top makes it easy to locate under the engine and has a knurled surface for slip-free operation.

EZ Oil Drain Valve is simple to operate; just push in the cap and twist to the right to open for draining. Once all of the oil is drained, push in again and twist to the left to close. The spring-tensioned, double o-ring seal guarantees a long, leak-free life. Makes oil changes quick, clean and easy to do, saving you valuable time.

PART	DESCRIPTION AND APPLICATION	REQD	LIST	SELL
40-4091	EZ OIL DRAIN VALVE 4.0L	EXPLORER 91-05 (1)	24.94	19.95
40-4091	EZ OIL DRAIN VALVE-14MM 5.0L	EXPLORER 96-00 (1)	24.94	19.95
40-4092	EZ OIL DRAIN VALVE-12MM 5.0L	EXPLORER 97-98 (1)	24.94	19.95
40-4091	EZ OIL DRAIN VALVE 4.6L	EXPLORER 02-05 (1)	24.94	19.95

**Stainless Steel Coolant Overflow Kit**



Enhance the underhood appearance of your vehicle with a Stainless Steel Coolant Overflow Kit. Works in place of any existing coolant overflow system or is a great addition for vehicles that were not originally equipped with a coolant overflow tank.

The tank holds over 1 quart of coolant and measures 3 inches wide by 16 inches tall.

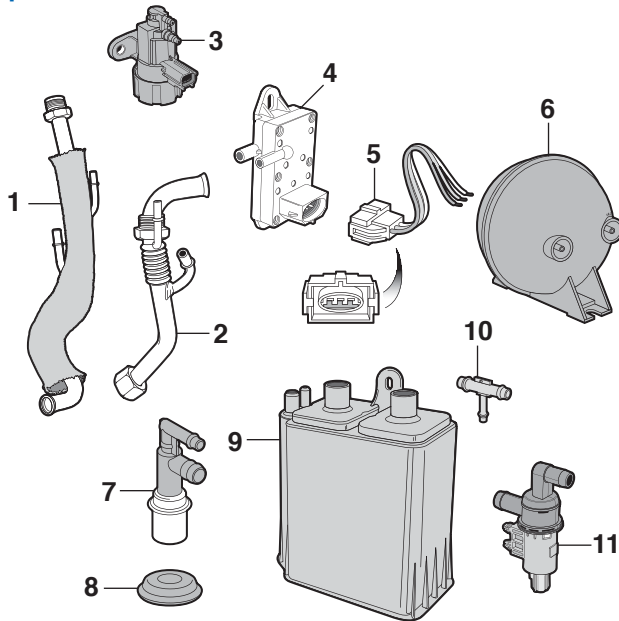
The kit includes:

- Stainless steel coolant overflow tank
- Stainless steel twist-on style cap
- Mounting brackets and hardware

PART	DESCRIPTION AND APPLICATION	REQD	LIST	SELL
47-4090	STAINLESS COOLANT OVERFLOW KIT	(1)	68.69	54.95
43-3105	OVERFLOW HOSE-4FT	(1)	7.44	5.95
40-3400	HOSE CLAMP	(1)	1.19	.95

**Emission Control Parts**

Explorer 1991-05



PART	ILL#	DESCRIPTION AND APPLICATION	REQD	LIST	SELL
50-1795	(1)	EGR TUBE-TO VALVE EXPLORER	91-94 (1)	87.44	69.95
50-1798	(2)	EGR TUBE-TO VALVE 5.0L EXPLORER	97-05 (1)	74.94	59.95
42-5241	(3)	EGR VACUUM CONTROL SOLENOID EXPLORER	96-05 (1)	41.19	32.95
50-1761	(4)	PRESSURE SENSOR EXPLORER	93-95 (1)	93.69	74.95
50-1768	(5)	SOCKET-SENSOR EXPLORER	93-95 (1)	7.44	5.95
42-5237	(6)	VACUUM RESERVOIR "A" EXPLORER	91-97 (1)	24.94	19.95
40-5439	(7)	PCV VALVE EXPLORER	91-94 (1)	2.44	1.95
50-2015	(8)	PCV VALVE 4.0L VIN E EXPLORER	97-01 (1)	3.69	2.95
50-2027	(8)	GROMMET-PCV EXPLORER	91-94 (1)	17.44	13.95
50-1671	(9)	VAPOR CANISTER EXPLORER	91-94 (1)	112.44	89.95
42-5214	(10)	HOSE TEE-CANISTER EXPLORER	91-94 (1)	2.44	1.95
50-1680	(11)	VENT VALVE-VAPOR CANISTER EXPLORER	02-05 (1)	99.94	79.95

Note: "A" Also used as speed control reservoir.

**Universal Coolant Overflow Kit**



This Universal Coolant Overflow Kit includes everything you need to replace your old or broken coolant overflow system. It is also a great addition for vehicles that were not originally equipped with a coolant overflow tank.

The tank holds over 2 quarts of coolant and measures 6 inches wide by 4-1/2 inches deep by 7-1/2 inches tall. Fluid levels can easily be read without removing the cap.

The kit includes:

- Coolant overflow tank with steel wire mounting bracket
- Twist-on style cap
- 4 Feet of hose
- Attaching hardware
- Easy-to-follow instructions

PART	DESCRIPTION AND APPLICATION	REQD	LIST	SELL
47-4089	UNIVERSAL COOLANT OVERFLOW KIT	(1)	18.69	14.95

**Split Braid Flex Loom**



Unique black flexible braided construction features a 25% edge overlap that will allow for the sharpest of bends without distorting or splitting open. Lateral split design of the flex loom allows for easy installation of multiple wires. Self-wrapping feature ensures the flex loom will return to its original size and shape without the need to use fasteners or tape. Protect your vehicle's wiring, cables, hoses and tubing from unnecessary wear while adding a clean look. Available in three sizes: 1/4", 1/2" or 3/4" diameter.

PART	DESCRIPTION AND APPLICATION	REQD	LIST	SELL
47-1122	SPLIT BRAID FLEX LOOM 20' LENGTH 1/4" DIAMETER	A/R	43.69	34.95
47-1123	SPLIT BRAID FLEX LOOM 10' LENGTH 1/2" DIAMETER	A/R	31.19	24.95
47-1124	SPLIT BRAID FLEX LOOM 6' LENGTH 3/4" DIAMETER	A/R	24.94	19.95

**Do-It-Yourself Truck - Car Alarm System Kit**



- Alarm Systems designed for simple installation. Black wire to chassis ground and red wire to 12V constant power source.
- Comes with alarm siren and 2 code learning transmitters.
- Built-in 2-stage shock sensor triggers alarm when door is opened, breaking glass or voltage drop in electrical system.
- Built-in current sensor can detect door open and ignition on.

- Remote current sensor delay time setting (8 seconds up to 4 minutes).
- Alarm System has remote 8-level shock sensitivity setting.
- Remote arm/disarm with chirp.
- Alarm transmitter button for panic mode or for finding your vehicle in a crowded parking lot.

PART	DESCRIPTION AND APPLICATION	LIST	SELL
42-1319	DO-IT-YOURSELF ALARM	49.94	39.95

## Electric Cooling Fan Keeps Your Engine Cool

**Electric Cooling Fan** - Now you can keep your engine cool no matter what the traffic situation with this Electric Cooling Fan. Efficient 8-blade fan and high performance motor for maximum air delivery; fan blade and shroud are constructed of glass-filled nylon for strength and durability. This fan works off the vehicle's electrical system so it reduces engine load. Fan operates only when needed, with #49-3891 Adjustable Thermostat, sold separately. Includes mounting hardware and easy-to-follow instructions.

**Fan Mounting Bracket Kit** - Recommended for optimum mounting strength and performance on all 14" electric cooling fans.

**Adjustable Thermostat** - Set fan temperature to suit your conditions. Adjustable from 150°-240°F.

**Quick Re-Installation Kit** - Gives you everything you need to reinstall the cooling fan should you ever have to remove it.

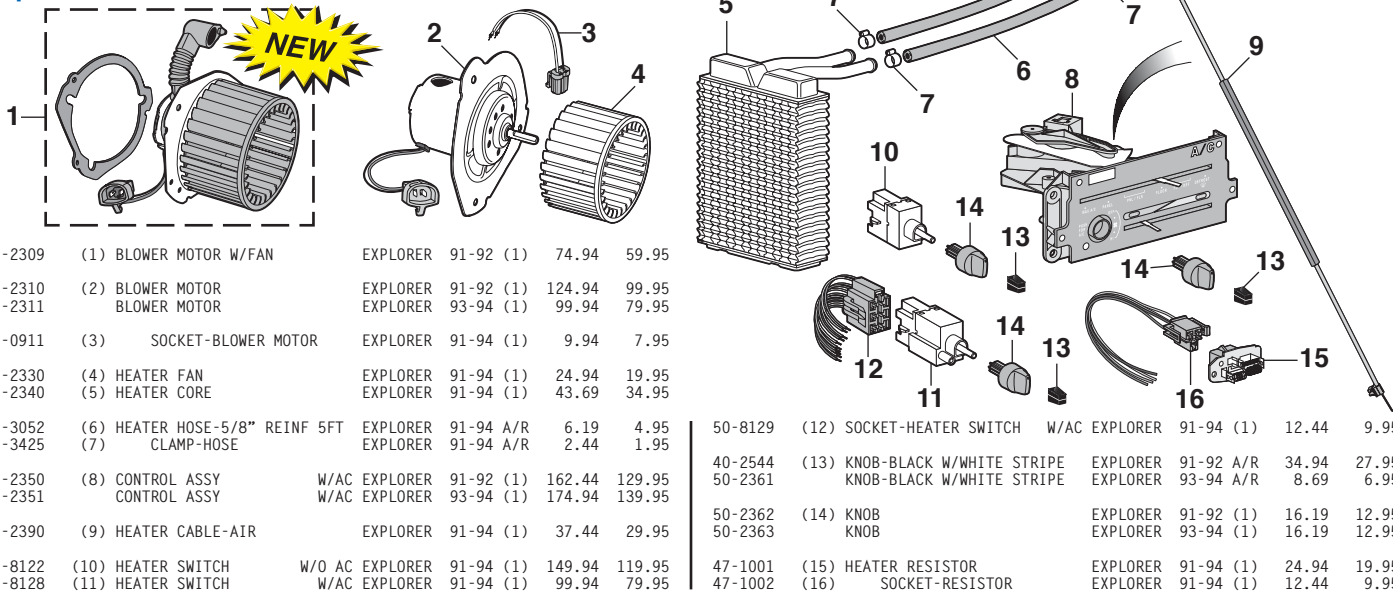


PART	DESCRIPTION AND APPLICATION	REQD	LIST	SELL
50-4766	COOLING FAN KIT 14" 8 BLADE EXPLORER	91-94 (1)	112.44	89.95
49-3893	FAN MOUNTING BRACKET KIT 14" (1)	(1)	62.44	49.95
49-3891	ADJUSTABLE THERMOSTAT EXPLORER	91-94 (1)	31.19	24.95
49-3892	QUICK RE-INSTALLATION KIT EXPLORER	91-94 (1)	7.44	5.95

## Heater Components

Explorer 1991-94

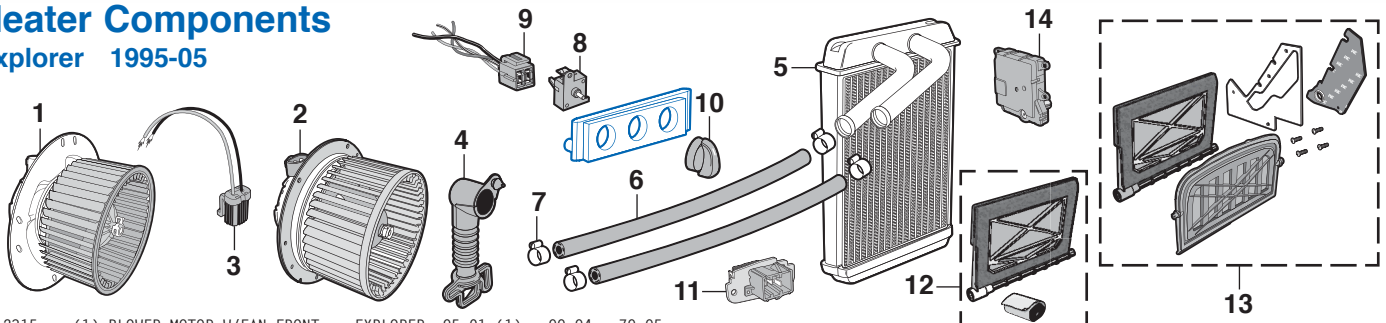
W/AC = Fits Models with Air Conditioning  
W/O AC = Fits Models without Air Conditioning



50-2309	(1) BLOWER MOTOR W/FAN	EXPLORER	91-92 (1)	74.94	59.95			
50-2310	(2) BLOWER MOTOR	EXPLORER	91-92 (1)	124.94	99.95			
50-2311	BLOWER MOTOR	EXPLORER	93-94 (1)	99.94	79.95			
47-0911	(3) SOCKET-BLOWER MOTOR	EXPLORER	91-94 (1)	9.94	7.95			
50-2330	(4) HEATER FAN	EXPLORER	91-94 (1)	24.94	19.95			
50-2340	(5) HEATER CORE	EXPLORER	91-94 (1)	43.69	34.95			
43-3052	(6) HEATER HOSE-5/8" REINF 5FT	EXPLORER	91-94 A/R	6.19	4.95			
40-3425	(7) CLAMP-HOSE	EXPLORER	91-94 A/R	2.44	1.95			
50-2350	(8) CONTROL ASSY W/AC	EXPLORER	91-92 (1)	162.44	129.95			
50-2351	CONTROL ASSY W/AC	EXPLORER	93-94 (1)	174.94	139.95			
50-2390	(9) HEATER CABLE-AIR	EXPLORER	91-94 (1)	37.44	29.95			
50-8122	(10) HEATER SWITCH W/O AC	EXPLORER	91-94 (1)	149.94	119.95			
50-8128	(11) HEATER SWITCH W/AC	EXPLORER	91-94 (1)	99.94	79.95			
50-8129	(12) SOCKET-HEATER SWITCH W/AC	EXPLORER	91-94 (1)	12.44	9.95			
40-2544	(13) KNOB-BLACK W/WHITE STRIPE	EXPLORER	91-92 A/R	34.94	27.95			
50-2361	KNOB-BLACK W/WHITE STRIPE	EXPLORER	93-94 A/R	8.69	6.95			
50-2362	(14) KNOB	EXPLORER	91-92 (1)	16.19	12.95			
50-2363	KNOB	EXPLORER	93-94 (1)	16.19	12.95			
47-1001	(15) HEATER RESISTOR	EXPLORER	91-94 (1)	24.94	19.95			
47-1002	(16) SOCKET-RESISTOR	EXPLORER	91-94 (1)	12.44	9.95			

## Heater Components

Explorer 1995-05



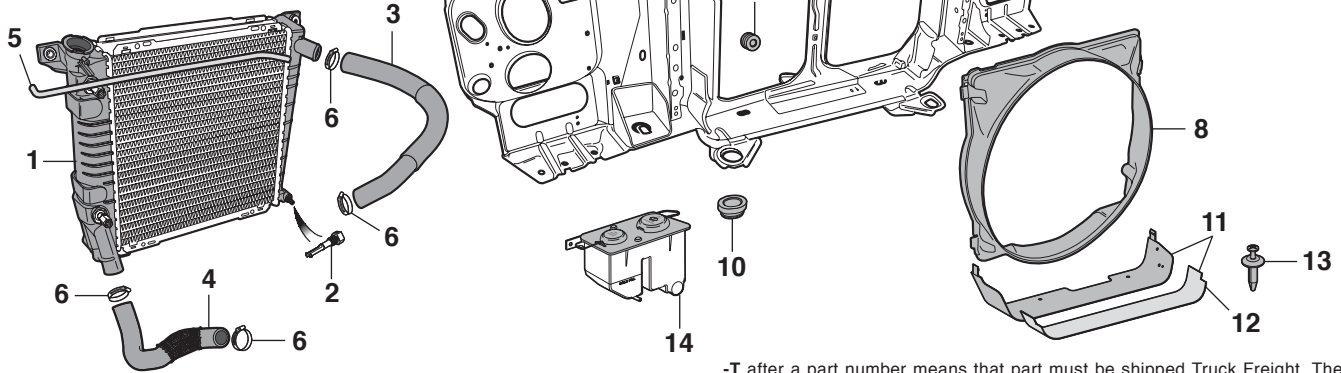
50-2315	(1) BLOWER MOTOR W/FAN-FRONT	EXPLORER	95-01 (1)	99.94	79.95			
50-2320	BLOWER MOTOR W/FAN-FRONT	EXPLORER	02-05 (1)	87.44	69.95			
50-2321	(2) BLOWER MOTOR W/FAN-REAR	EXPLORER	02-05 (1)	87.44	69.95			
47-0911	(3) SOCKET-BLOWER MOTOR	EXPLORER	95-05 A/R	9.94	7.95			
43-2466	(4) DRAIN TUBE-BLOWER HOUSING	EXPLORER	95-05 (1)	17.44	13.95			
50-2341	(5) HEATER CORE	EXPLORER	95-01 (1)	74.94	59.95			
43-3052	(6) HEATER HOSE-5/8" REINF 5FT	EXPLORER	95-05 A/R	6.19	4.95			
40-3425	(7) CLAMP-HOSE	EXPLORER	95-05 A/R	2.44	1.95			
47-0779	(8) HEATER SWITCH W/AC	EXPLORER	95-01 (1)	14.94	11.95			
47-3608	(9) SOCKET-HEATER SWITCH W/AC	EXPLORER	95-01 (1)	9.94	7.95			
50-2364	(10) KNOB W/BLUE LENS	EXPLORER	95-01 A/R	13.69	10.95			
47-1003	(11) HEATER RESISTOR	EXPLORER	95-01 (1)	24.94	19.95			
50-2870	(12) AIR DOOR-RECIRCULATE	EXPLORER	95-01 (1)	21.19	16.95			
50-2871	(13) AIR DOOR KIT-HOT/COLD "A"	EXPLORER	95-01 (1)	31.19	24.95			
50-2863	(14) ACTUATOR-HOT/COLD BLEND "A"	EXPLORER	95-01 (1)	62.44	49.95			
50-2864	ACTUATOR-HOT/COLD BLEND "B"	EXPLORER	95-97 (1)	74.94	59.95			
50-2865	ACTUATOR-HOT/COLD BLEND "C"	EXPLORER	98-01 (1)	49.94	39.95			
50-2860	ACTUATOR-HOT/COLD BLEND "A"	EXPLORER	02-05 (1)	74.94	59.95			
50-2861	ACTUATOR-HOT/COLD BLEND "B"	EXPLORER	02-05 (2)	49.94	39.95			
50-2862	ACTUATOR-HOT/COLD BLEND "C"	EXPLORER	02-05 (1)	74.94	59.95			
43-2482	ACTUATOR-DISTRIBUTION "C"	EXPLORER	02-05 (1)	62.44	49.95			

Note: "A" Front actuator for models with manual air conditioning.  
"B" Front actuator for models with dual zone automatic air conditioning.  
"C" Rear actuator for models with auxiliary air conditioning.

Radiator and Components

Explorer 1991-94

W/AC = With Air Conditioning  
 W/O AC = Without Air Conditioning  
 MT = Manual Transmission  
 AT = Automatic Transmission



\*After the sell price means Oversize Part Charge. Your order will incur a charge of \$20.00 for each oversized part. Additional delivery time required.

PART	ILL#	DESCRIPTION AND APPLICATION	REQD	LIST	SELL
50-2218	(1)	RADIATOR 4.0L EXPLORER 91-94 (1)	212.44	169.95	*
43-0082	(2)	RADIATOR DRAIN TAP EXPLORER 91-94 (1)	6.19	4.95	
50-2128	(3)	TOP HOSE MT W/O AC 4.0L EXPLORER 91-94 (1)	16.19	12.95	
50-2129		TOP HOSE MT W/AC 4.0L EXPLORER 91-94 (1)	12.44	9.95	
50-2128		TOP HOSE AT 4.0L EXPLORER 91-94 (1)	16.19	12.95	
50-2145	(4)	BOTTOM HOSE MT 4.0L EXPLORER 91-94 (1)	16.19	12.95	
50-2146		BOTTOM HOSE AT "A" 4.0L EXPLORER 91-94 (1)	12.44	9.95	
43-3105	(5)	OVERFLOW HOSE "A" 5/16" X 4FT RUBBER EXPLORER 91-94 (1)	7.44	5.95	

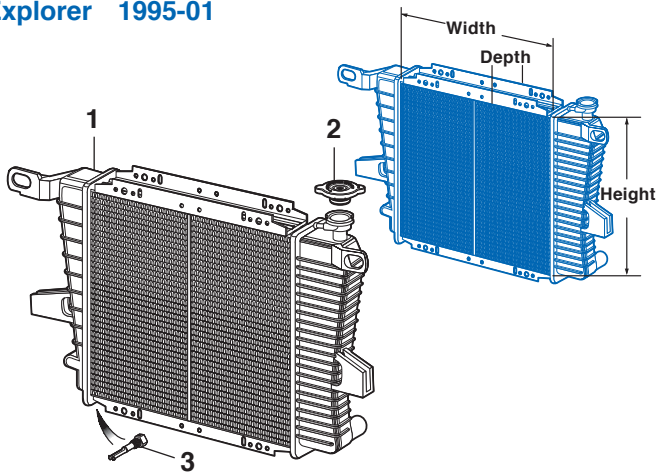
Note: "A" Must be sized and cut to fit.

-T after a part number means that part must be shipped Truck Freight. The prepaid order will include a \$125.00 charge for delivery in the 48 contiguous United States. Orders outside of the 48 states will be quoted. Additional delivery time required.

43-0085	(6)	CLAMP-RADIATOR HOSE EXPLORER 91-94 (4)	1.19	.95	
50-9902-T	(7)	RADIATOR SUPPORT EXPLORER 91-94 (1)	124.94	99.95	
50-2235	(8)	FAN SHROUD-W/AC AUTO 4.0L EXPLORER 91-94 (1)	49.94	39.95	
50-2110	(9)	INSULATOR-UPPER EXPLORER 91-94 (2)	37.44	29.95	
50-2112	(10)	INSULATOR-LOWER EXPLORER 91-94 (2)	4.94	3.95	
50-2248	(11)	AIR DEFLECTOR-BOTTOM EXPLORER 91-93 (1)	62.44	49.95	
50-7640	(12)	SPLASH GUARD-DEFLECTOR EXPLORER 91-93 (1)	12.44	9.95	
40-1394	(13)	RETAINER EXPLORER 91-94 A/R	1.19	.95	
50-8072	(14)	WASHER/COOLANT RESERVOIR EXPLORER 91-94 (1)	74.94	59.95	

Radiator and Components

Explorer 1995-01



OHV = Overhead Valve  
 MT = Manual Transmission

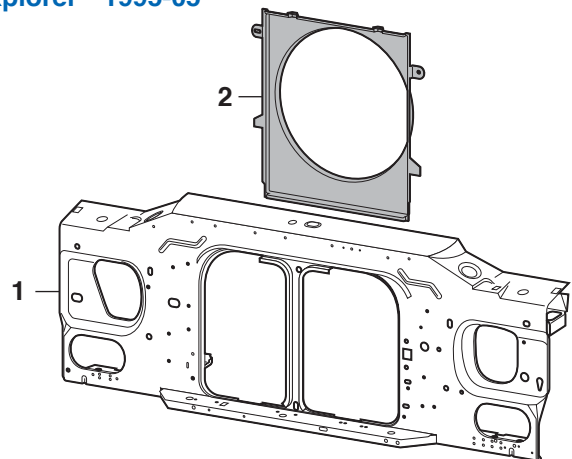
\*After the sell price means Oversize Part Charge. Your order will incur a charge of \$20.00 for each oversized part. Additional delivery time required.

Part #	Radiator Core Size
50-2225	21" H x 20-1/2" W x 2-" D

PART	ILL#	DESCRIPTION AND APPLICATION	REQD	LIST	SELL
50-2225	(1)	RADIATOR-3 ROW 4.0L EXPLORER 95-96 (1)	374.94	299.95	*
50-2225		RADIATOR-3 ROW OHV 4.0L EXPLORER 97 (1)	374.94	299.95	*
50-2225		RADIATOR-3 ROW MT 4.0L EXPLORER 98-00 (1)	374.94	299.95	*
43-0025	(2)	RADIATOR CAP 16LB 4.0L EXPLORER 95-01 (1)	4.94	3.95	
43-0025		RADIATOR CAP 16LB 5.0L EXPLORER 96-97 (1)	4.94	3.95	
43-0020		RADIATOR CAP 13LB 5.0L EXPLORER 98 (1)	4.94	3.95	
43-0025		RADIATOR CAP 16LB 5.0L EXPLORER 99-01 (1)	4.94	3.95	
43-0082	(3)	RADIATOR DRAIN TAP EXPLORER 95-01 (1)	6.19	4.95	

Radiator Support Panel and Fan Shroud

Explorer 1995-05



SOHC = Single Overhead Cam

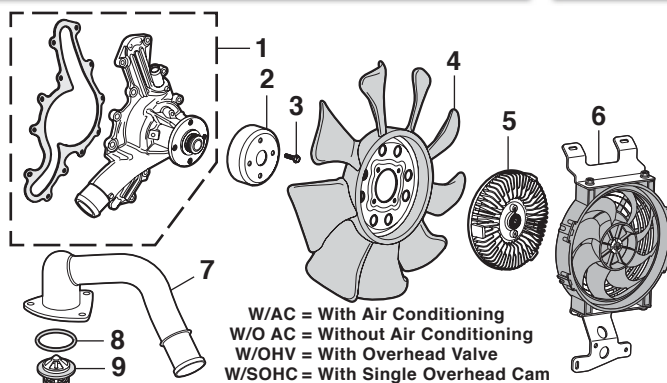
-T after a part number means that part must be shipped Truck Freight. The prepaid order will include a \$125.00 charge for delivery in the 48 contiguous United States. Orders outside of the 48 states will be quoted. Additional delivery time required.

PART	ILL#	DESCRIPTION AND APPLICATION	REQD	LIST	SELL
50-9906-T	(1)	RADIATOR SUPPORT EXPLORER 95-01 (1)	187.44	149.95	
50-9907-T		RADIATOR SUPPORT EXPLORER 02-05 (1)	187.44	149.95	
50-2228	(2)	FAN SHROUD SOHC 4.0L EXPLORER 97-01 (1)	24.94	19.95	
50-2229		FAN SHROUD 5.0L EXPLORER 96-01 (1)	24.94	19.95	

## Water Pump, Fan and Thermostat

### Explorer 1991-05

PART	ILL#	DESCRIPTION AND APPLICATION	REQD	LIST	SELL
50-1804	(1)	WATER PUMP W/OHV 4.0L EXPLORER	91-00 (1)	74.94	59.95
50-1808		WATER PUMP W/SOHC 4.0L EXPLORER	97-05 (1)	93.69	74.95
50-2290	(2)	PULLEY-WATER PUMP 4.0L EXPLORER	91-92 (1)	31.19	24.95
50-2291		PULLEY-WATER PUMP 4.0L EXPLORER	93-05 (1)	37.44	29.95
50-0240	(3)	BOLT-PULLEY EXPLORER	91-05 (4)	2.44	1.95
50-2257	(4)	FAN 9 BLADE W/O AC 4.0L EXPLORER	91-94 (1)	74.94	59.95
50-2258		FAN 10 BLADE W/AC 4.0L EXPLORER	91-94 (1)	49.94	39.95
50-2259		FAN 12 BLADE 4.0L EXPLORER	95-96 (1)	62.44	49.95
50-2260		FAN 10 BLADE 4.0L EXPLORER	97 (1)	62.44	49.95
50-2261		FAN 9 BLADE 5.0L EXPLORER	96-98 (1)	62.44	49.95
50-2288	(5)	FAN CLUTCH 4.0L EXPLORER	91-97 (1)	99.94	79.95
50-2268	(6)	FAN & MOTOR 4.0L 4.6L EXPLORER	02-05 (1)	162.44	129.95
50-1818	(7)	WATER OUTLET W/OHV 4.0L EXPLORER	91-00 (1)	87.44	69.95
50-1832	(8)	SEAL W/OHV 4.0L EXPLORER	91-00 (1)	1.19	.95
40-4283		SEAL 5.0L EXPLORER	96-01 (1)	1.19	.95



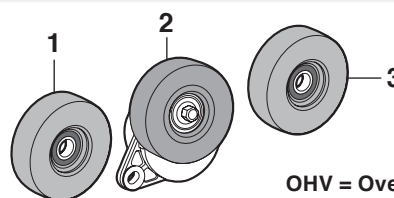
W/AC = With Air Conditioning  
 W/O AC = Without Air Conditioning  
 W/OHV = With Overhead Valve  
 W/SOHC = With Single Overhead Cam

50-1628	(9)	THERMOSTAT 180 STANDARD W/ OHV 4.0L	91-00 (1)	7.44	5.95
50-1629		THERMOSTAT 195 WINTER W/ OHV 4.0L	91-00 (1)	7.44	5.95
43-0031		THERMOSTAT 180 STANDARD 5.0L	96-01 (1)	4.94	3.95
43-0032		THERMOSTAT 195 WINTER 5.0L	96-01 (1)	4.94	3.95

## Idler Pulleys and Tensioners

### Explorer 1991-05

50-2298	(1)	IDLER PULLEY 4.0L EXPLORER	91-93 (1)	37.44	29.95
43-2281		IDLER PULLEY 4.0L EXPLORER	94-05 (1)	24.94	19.95
43-2281		IDLER PULLEY-SMOOTH 4.6L EXPLORER	02-05 (1)	24.94	19.95
43-2281		IDLER PULLEY-SMOOTH 5.0L EXPLORER	96-01 (1)	24.94	19.95
50-2299		IDLER PULLEY-GROOVED 5.0L EXPLORER	96-01 (1)	27.44	21.95
50-2306	(2)	AUTO BELT TENSIONER 4.0L EXPLORER	91-92 (1)	87.44	69.95
50-2298	(3)	TENSIONER PULLEY 4.0L EXPLORER	91-92 (1)	37.44	29.95
50-2307		BELT TENSIONER W/OHV 4.0L EXPLORER	93-00 (1)	56.19	44.95
50-2299		TENSIONER PULLEY 4.0L EXPLORER	93-05 (1)	27.44	21.95

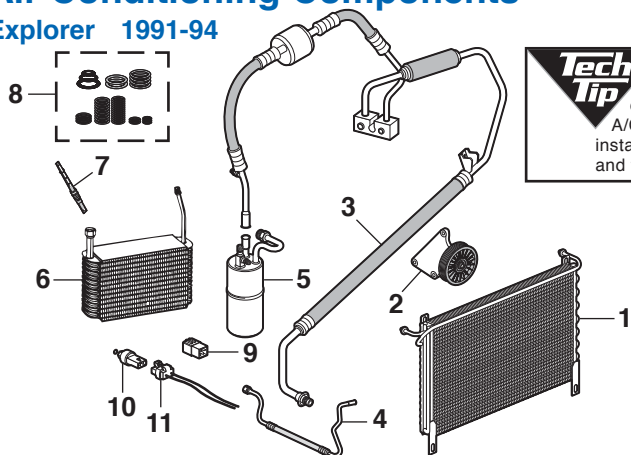


OHV = Overhead Valve

PART	DESCRIPTION AND APPLICATION	REQD	LIST	SELL
43-2278	TENSIONER PULLEY 4.6L EXPLORER	02-05 (1)	24.94	19.95
50-2298	TENSIONER PULLEY 5.0L EXPLORER	96-01 (1)	37.44	29.95

## Air Conditioning Components

### Explorer 1991-94

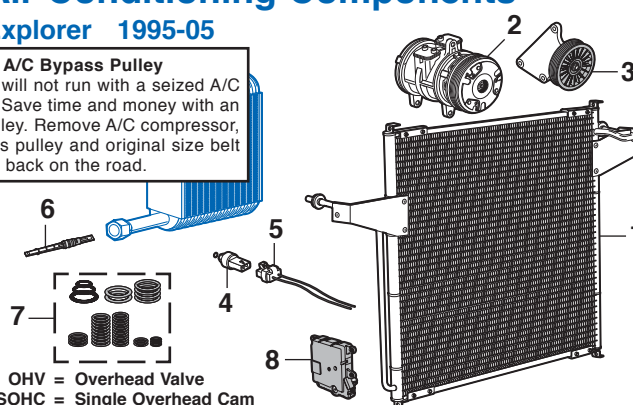


50-2720	(1)	CONDENSER EXPLORER	91-94 (1)	137.44	109.95
43-2321	(2)	A/C BYPASS PULLEY 4.0L EXPLORER	91-94 (1)	41.19	32.95
50-2818	(3)	A/C HOSE ASSY EXPLORER	91-3/91(1)	124.94	99.95
50-2819		A/C HOSE ASSY EXPLORER	4/91-93(1)	124.94	99.95
50-2821		A/C HOSE ASSY EXPLORER	94 (1)	174.94	139.95
50-2820	(4)	A/C HOSE LIQUID LINE EXPLORER	91-94 (1)	31.19	24.95
50-2830	(5)	ACCUMULATOR & TUBE ASSY "A" EXPLORER	91-93 (1)	49.94	39.95
50-2830		ACCUMULATOR & TUBE ASSY "B" EXPLORER	91-3/91(1)	49.94	39.95
50-2831		ACCUMULATOR & TUBE ASSY "B" EXPLORER	4/91-93(1)	62.44	49.95
50-2832		ACCUMULATOR & TUBE ASSY "B" EXPLORER	94 (1)	49.94	39.95
50-2731	(6)	EVAPORATOR CORE EXPLORER	91-94 (1)	124.94	99.95
43-0271	(7)	ORIFICE TUBE EXPLORER	91-94 (1)	2.44	1.95
50-2826	(8)	A/C O-RING SET EXPLORER	91-94 (1)	16.19	12.95
50-2840	(9)	A/C RELAY EXPLORER	91-93 (1)	43.69	34.95
50-2850	(10)	CLUTCH CYCLE SWITCH "B" EXPLORER	91-93 (1)	24.94	19.95
47-0765		CLUTCH CYCLE SWITCH "B" EXPLORER	94 (1)	31.19	24.95
47-0769	(11)	SOCKET-CYCLE SWITCH EXPLORER	91-94 (1)	7.44	5.95

Note: "A" Models with dealer add-on air conditioning.  
 "B" Models with factory air conditioning.

## Air Conditioning Components

### Explorer 1995-05



**A/C Bypass Pulley**  
 Your truck will not run with a seized A/C compressor. Save time and money with an A/C bypass pulley. Remove A/C compressor, install A/C bypass pulley and original size belt and then you are back on the road.

OHV = Overhead Valve  
 SOHC = Single Overhead Cam

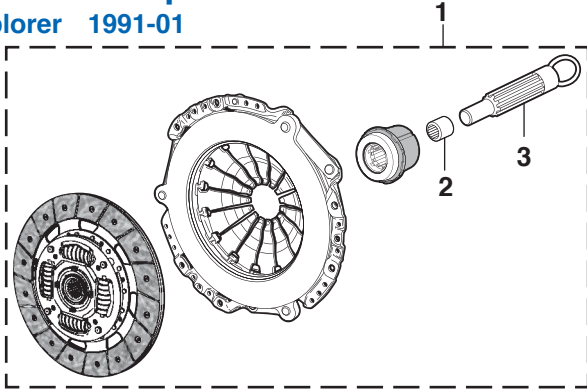
**Core Refund Information - A/C Compressor:** A rebuildable core will have no broken or stripped mountings, no damaged port threads, cracked, frozen or rusted housings. If it does not meet the above standards, it is not rebuildable and will not be refunded. DO NOT send a non-rebuildable core.

PART	ILL#	DESCRIPTION AND APPLICATION	REQD	LIST	SELL
50-2721	(1)	CONDENSER OHV 4.0L EXPLORER	95-97 (1)	187.44	149.95
50-2725		CONDENSER SOHC 4.0L EXPLORER	97-01 (1)	162.44	129.95
50-2727		CONDENSER EXPLORER	02-05 (1)	187.44	149.95
50-2759-Z	(2)	COMPRESSOR-REMAN \$15 CORE 4.0L	95-03 (1)	287.44	229.95
50-2753-Z		COMPRESSOR-REMAN \$15 CORE 5.0L	96-01 (1)	362.44	289.95
43-2321	(3)	A/C BYPASS PULLEY 4.0L EXPLORER	95-01 (1)	41.19	32.95
50-2776		A/C BYPASS PULLEY 5.0L EXPLORER	96-01 (1)	41.19	32.95
47-0765	(4)	CLUTCH CYCLE SWITCH EXPLORER	95-97 (1)	31.19	24.95
47-0769	(5)	SOCKET-CYCLE SWITCH EXPLORER	95-97 (1)	7.44	5.95
43-0270	(6)	ORIFICE TUBE-BLUE TIP EXPLORER	95-01 (1)	3.69	2.95
43-0271		ORIFICE TUBE-RED TIP EXPLORER	95-05 (1)	2.44	1.95
50-2826	(7)	A/C O-RING SET EXPLORER	95-05 (1)	16.19	12.95
50-2860	(8)	ACTUATOR-HOT/COLD BLEND "A" EXPLORER	02-05 (1)	74.94	59.95
50-2861		ACTUATOR-HOT/COLD BLEND "B" EXPLORER	02-05 (2)	49.94	39.95
50-2862		ACTUATOR-HOT/COLD BLEND "C" EXPLORER	02-05 (1)	74.94	59.95

Note: "A" Front actuator for models with manual air conditioning.  
 "B" Front actuator for models with dual zone automatic air conditioning.  
 "C" Rear actuator for models with auxiliary air conditioning.

Clutch Components

Explorer 1991-01



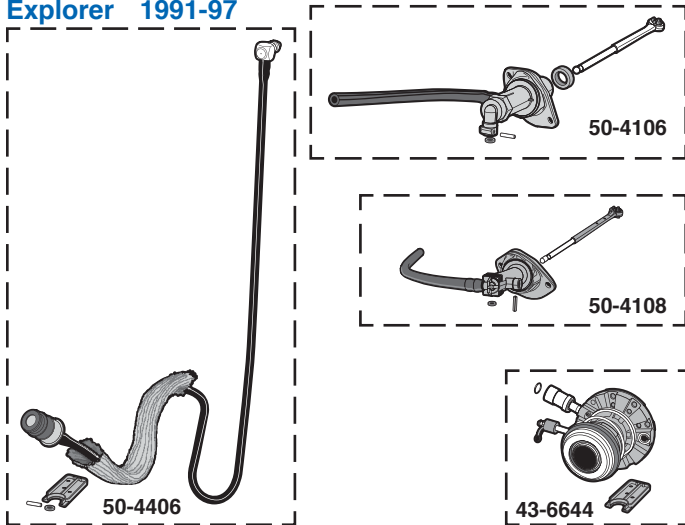
3-IN-1 CLUTCH KITS

Plan ahead! Pulling an engine costs money and takes time. Replace "ALL 3" clutch pieces ... Cover, Disc, Release Bearing ... at the same time. Extend the life of your clutch system thousands of miles and save yourself the repeated hassle of replacing each piece. Think about it! A 3-In-1 Clutch Kit is a better buy than each piece bought individually! Buy a 3-In-1 Clutch Kit and save your time and money.

50-4018	(1) CLUTCH KIT	4.0L EXPLORER	91-92 (1)	212.44	169.95
50-4020	CLUTCH KIT	4.0L EXPLORER	93-96 (1)	212.44	169.95
50-4007	(2) PILOT BUSHING	4.0L EXPLORER	93-01 (1)	7.44	5.95
50-4200	(3) ALIGNMENT TOOL	4.0L EXPLORER	91-92 (1)	3.69	2.95
50-4204	ALIGNMENT TOOL	4.0L EXPLORER	93-01 (1)	2.44	1.95

Clutch Hydraulics

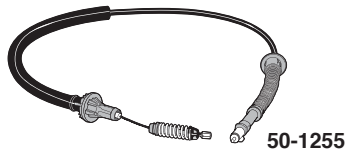
Explorer 1991-97



50-4102	CLUTCH MASTER CYLINDER	EXPLORER	91 (1)	62.44	49.95
50-4106	CLUTCH MASTER CYLINDER	EXPLORER	92 (1)	87.44	69.95
50-4108	CLUTCH MASTER CYLINDER	EXPLORER	93-94 (1)	68.69	54.95
50-4406	HOSE-MASTER/SLAVE	EXPLORER	91 (1)	87.44	69.95
50-4408	HOSE-MASTER/SLAVE	EXPLORER	92 (1)	137.44	109.95
50-4409	HOSE-MASTER/SLAVE	EXPLORER	93-94 (1)	99.94	79.95
50-4410	HOSE-MASTER/SLAVE	EXPLORER	95-97 (1)	99.94	79.95
50-4128	CLUTCH SLAVE CYLINDER	EXPLORER	91-92 (1)	124.94	99.95
43-6644	CLUTCH SLAVE CYLINDER	EXPLORER	93-94 (1)	87.44	69.95

Accelerator Cable

Explorer 1991-94

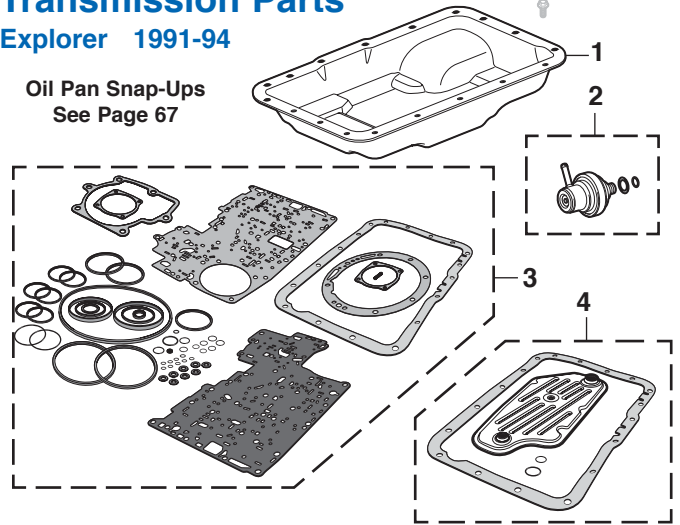


50-1255	ACCELERATOR CABLE	4.0L EXPLORER	91-94 (1)	93.69	74.95
---------	-------------------	---------------	-----------	-------	-------

Transmission Parts

Explorer 1991-94

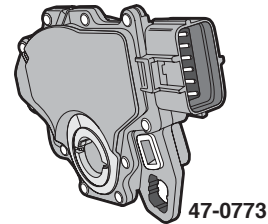
Oil Pan Snap-Ups  
See Page 67



PART	ILL#	DESCRIPTION AND APPLICATION	REQD	LIST	SELL
40-4720	(1)	TRANS PAN-OE A4LD 2WD EXPLORER	91-94 (1)	68.69	54.95
40-4721		TRANS PAN-OE A4LD 4WD EXPLORER	91-94 (1)	81.19	64.95
50-4436	(2)	TRANS MODULATOR A4LD EXPLORER	91-94 (1)	24.94	19.95
50-4443	(3)	TRANS GASKET KIT A4LD EXPLORER	91-94 (1)	99.94	79.95
50-4454	(4)	TRANS FILTER KIT A4LD 2WD EXPLORER	91-94 (1)	24.94	19.95
50-4456		TRANS FILTER KIT A4LD 4WD EXPLORER	91-94 (1)	27.44	21.95

Transmission Range Sensor

Explorer 1997-01

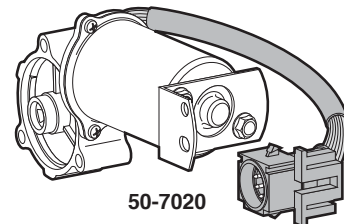


PART	DESCRIPTION AND APPLICATION	REQD	LIST	SELL
47-0773	TRANSMISSION RANGE SENSOR "A" EXPLORER	97-01 (1)	74.94	59.95

Note: "A" For models equipped with 4R70W or 4R75W transmission.

Transfer Case Motor

Explorer 1991-01



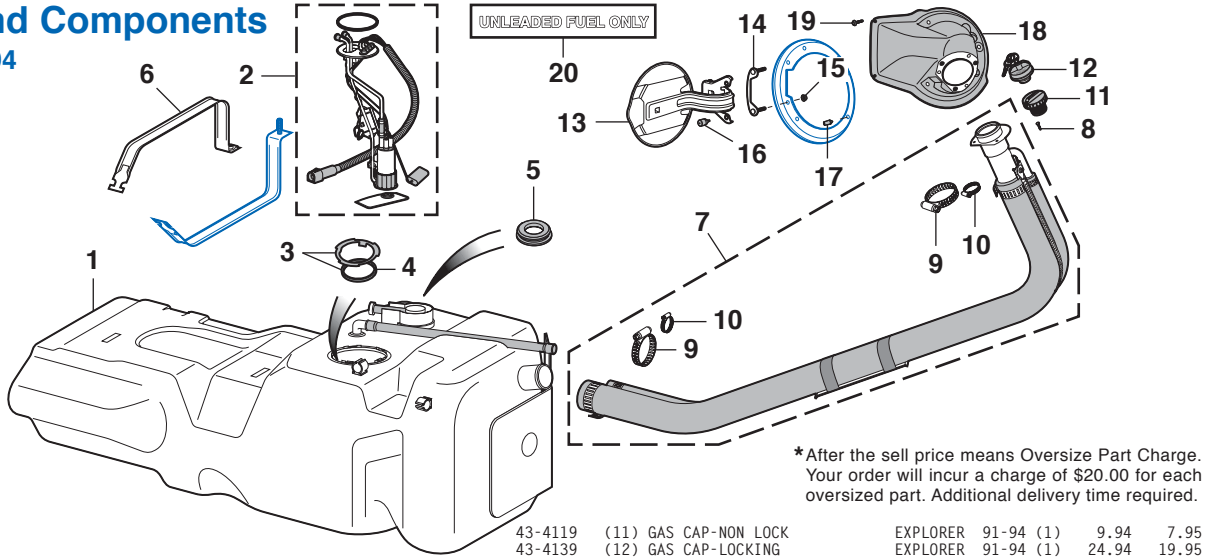
**Transfer Case Identification:** All Transfer Cases have an assembly tag attached to their case. The tag may be a bolted, riveted or screwed on metal tag, or a stick-on paper tag. The Transfer Case must be identified by the assembly number listed on the tag.

PART	DESCRIPTION AND APPLICATION	REQD	LIST	SELL
50-7020	TRANSFER CASE MOTOR BORG WARNER 1350 OR 1354 EXPLORER	91-95 (1)	137.44	109.95
50-7021	TRANSFER CASE MOTOR BORG WARNER 4405 EXPLORER	96-01 (1)	187.44	149.95



## Gas Tank and Components

Explorer 1991-94



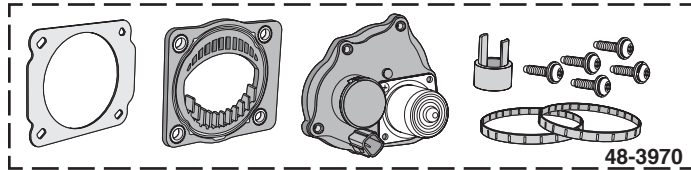
PART	ILL#	DESCRIPTION AND APPLICATION	REQD	LIST	SELL
50-3027	(1)	GAS TANK-19 GALLON	EXPLORER 91-94 (1)	999.94	799.95 *
50-3124	(2)	SENDING UNIT "A"	EXPLORER 91-94 (1)	162.44	129.95
43-4006	(3)	LOCK RING & O-RING	EXPLORER 91-94 (1)	9.94	7.95
43-4007	(4)	O-RING-SENDING UNIT	EXPLORER 91-94 (1)	2.44	1.95
40-1241	(5)	SEAL-VENT VALVE	EXPLORER 91-94 (1)	6.19	4.95
50-3626	(6)	FRONT TANK STRAP	4DR EXPLORER 91-94 (1)	74.94	59.95
50-3252	(7)	FUEL FILLER PIPE W/HOSE	EXPLORER 91-94 (1)	499.94	399.95
50-0454	(8)	SCREW-FILLER PIPE	EXPLORER 91-94 (3)	.38	12.30
40-3410	(9)	CLAMP-HOSE	EXPLORER 91-94 (2)	1.19	.95
40-3413	(10)	CLAMP-HOSE	EXPLORER 91-94 (2)	1.19	.95

43-4119	(11)	GAS CAP-NON LOCK	EXPLORER 91-94 (1)	9.94	7.95
43-4139	(12)	GAS CAP-LOCKING	EXPLORER 91-94 (1)	24.94	19.95
50-3154	(13)	FILLER DOOR ASSEMBLY	EXPLORER 91-94 (1)	249.94	199.95
50-3156	(14)	ATTACHING PLATE	EXPLORER 91-94 (1)	99.94	79.95
50-0508	(15)	NUT W/WASHER	EXPLORER 91-94 (2)	1.19	.95
50-1522	(16)	BUMPER ON DOOR	EXPLORER 91-94 (2)	2.44	1.95
50-1523	(17)	BUMPER ON BODY	EXPLORER 91-94 (2)	1.19	.95
50-3155	(18)	FILLER DOOR HOUSING ASSY	EXPLORER 91-94 (1)	62.44	49.95
50-0455	(19)	SCREW-HOUSING	EXPLORER 91-94 (3)	9.94	7.95
50-0080	(20)	FUEL LABEL-UNLEADED FUEL	EXPLORER 91-92 (1)	7.44	5.95

Note: "A" Fuel pump included with sending unit.

## Throttle Body Motor

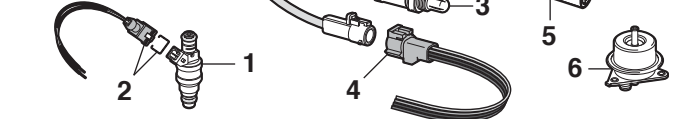
Explorer 2004-05



48-3970	THROTTLE BODY MOTOR	4.0L EXPLORER	04-05 (1)	124.94	99.95
48-3970	THROTTLE BODY MOTOR	4.6L EXPLORER	04-05 (1)	124.94	99.95

## Fuel Injection Components

Explorer 1991-94



50-8652	(1)	FUEL INJECTOR	4.0L EXPLORER 91-94 (6)	87.44	69.95
47-3050	(2)	CONNECTOR-INJ	4.0L EXPLORER 91-94 (6)	8.69	6.95
50-8674	(3)	OXYGEN SENSOR	4.0L EXPLORER 91-94 (1)	74.94	59.95
50-8678	(4)	CONNECTOR-OXYGEN SENSR	4.0L EXPLORER 91-94 (1)	8.69	6.95
48-4024	(5)	OXYGEN SENSOR SOCKET	3/8" DRIVE (1)	16.19	12.95
50-8681	(6)	PRESSURE REGULATOR "A"	4.0L EXPLORER 91-94 (1)	162.44	129.95

Note: "A" Not for use in California.

## Fuel Pump

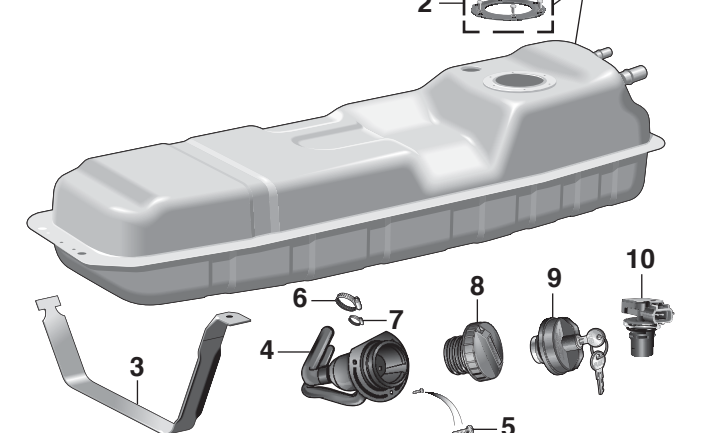
Explorer 1991-94



50-3226	FUEL PUMP-ELECTRONIC	4.0L EXPLORER	91-94 (1)	149.94	119.95
---------	----------------------	---------------	-----------	--------	--------

## Gas Tanks and Components

Explorer 1995-01



50-3032	(1)	GAS TANK-21 GAL	EXPLORER 95 (1)	249.94	199.95
50-3033		GAS TANK-21 GAL	EXPLORER 96 (1)	249.94	199.95
50-3034		GAS TANK-21 GAL	"A" EXPLORER 97-01 (1)	249.94	199.95
43-4009	(2)	SENDING UNIT GASKET KIT	EXPLORER 95-01 (1)	12.44	9.95
50-3630	(3)	TANK STRAP-21 GAL	EXPLORER 95-01 (1)	37.44	29.95
50-3272	(4)	FILLER PIPE	EXPLORER 97-01 (1)	174.94	139.95
50-0454	(5)	SCREW-FILLER PIPE	EXPLORER 97-01 (3)	.38	12.30
50-0600	(6)	CLAMP-MAIN HOSE	EXPLORER 97-01 (2)	1.19	.95
40-3413	(7)	CLAMP-VENT HOSE	EXPLORER 97-01 (2)	1.19	.95

43-4119	(8)	GAS CAP-NON LOCKING	EXPLORER 95-96 (1)	9.94	7.95
43-4139	(9)	GAS CAP-LOCKING	EXPLORER 95-96 (1)	24.94	19.95

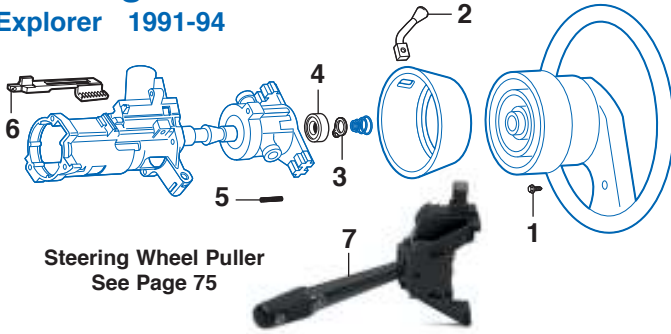
43-4127		GAS CAP-NON LOCKING	EXPLORER 97-01 (1)	13.69	10.95
43-4137		GAS CAP-LOCKING	EXPLORER 97-01 (1)	24.94	19.95

40-1959	(10)	FUEL VAPOR PRESSURE SENSOR	EXPLORER 96-01 (1)	87.44	69.95
---------	------	----------------------------	--------------------	-------	-------

Note: "A" Models with fuel pressure sensor only.

Steering Column - WITH Tilt Wheel

Explorer 1991-94

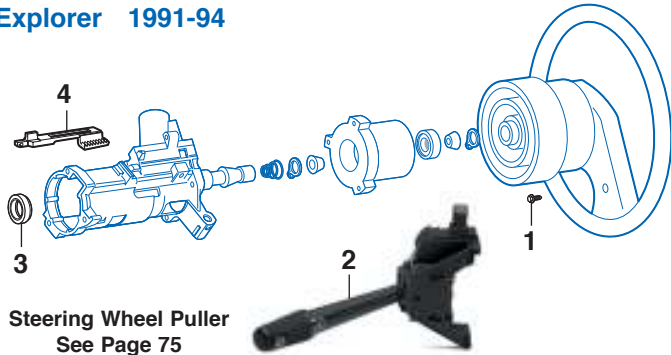


Steering Wheel Puller  
See Page 75

PART	ILL#	DESCRIPTION AND APPLICATION	REQD	LIST	SELL
40-0453	(1)	STEERING WHEEL SCREW	EXPLORER 91-92 (1)	.63	.50
50-5840	(2)	TILT LEVER HANDLE	EXPLORER 91-94 (1)	12.44	9.95
40-1320	(3)	UPPER COLUMN SNAP RING	EXPLORER 91-94 (1)	.50	.40
45-0741	(4)	UPPER COLUMN BEARING	EXPLORER 91-94 (1)	31.19	24.95
50-5810	(5)	COLUMN LOCK SPRING	EXPLORER 91-94 (1)	2.44	1.95
50-5838	(6)	STEERING LOCK LEVER	EXPLORER 91-94 (1)	24.94	19.95
50-8192	(7)	TURN SIGNAL & WIPER SWITCH	EXPLORER 91-94 (1)	162.44	129.95

Steering Column - WITHOUT Tilt Wheel

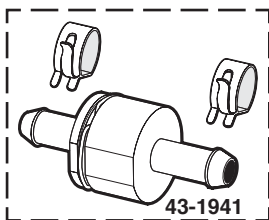
Explorer 1991-94



Steering Wheel Puller  
See Page 75

PART	ILL#	DESCRIPTION AND APPLICATION	REQD	LIST	SELL
50-0322	(1)	STEERING WHEEL SCREW	EXPLORER 91-92 (1)	.81	.65
50-8192	(2)	TURN SIGNAL & WIPER SWITCH	EXPLORER 91-94 (1)	162.44	129.95
50-5822	(3)	LOWER COLUMN BEARING	EXPLORER 91-94 (1)	56.19	44.95
50-5838	(4)	STEERING LOCK LEVER	EXPLORER 91-94 (1)	24.94	19.95

In-Line Power Steering Filters ...  
Help Prevent Power Steering Failure

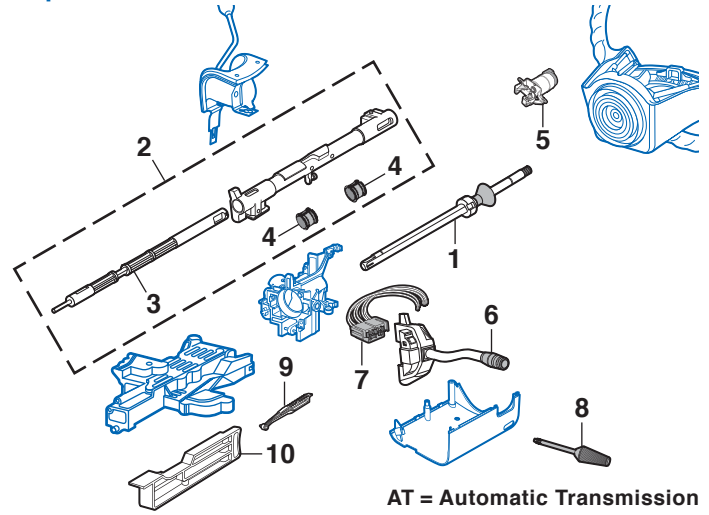


Increase the longevity of your power steering system and protect it from failure with a Power Steering Filter. The serviceable magnetic filter element helps prevent contamination by catching dangerous metal particles and installs easily in the return hose of the power steering pump. Measures 1-1/4" diameter x 3" long and fits power steering return hoses with a 3/8" inner diameter. Check yours before ordering. Includes hose clamps and instructions.

PART	DESCRIPTION AND APPLICATION	REQD	LIST	SELL
43-1941	POWER STEERING FILTER ALUMINUM	(1)	27.44	21.95
43-1945	POWER STEERING FILTER PLASTIC	(1)	16.19	12.95

Steering Column Components

Explorer 1995-01

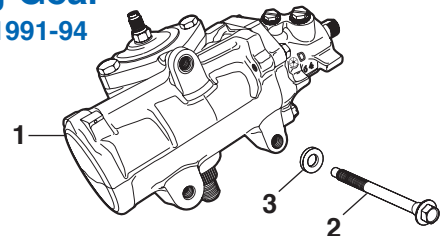


AT = Automatic Transmission

45-0880	(1)	UPPER STRG SHAFT W/O TILT	EXPLORER 95-01 (1)	156.19	124.95
45-0881		UPPER STEERING SHAFT W/TILT	EXPLORER 95-97 (1)	349.94	279.95
50-5891		UPPER STEERING SHAFT W/TILT	EXPLORER 98-01 (1)	274.94	219.95
45-0829	(2)	SHIFT TUBE KIT	AT EXPLORER 95-01 (1)	49.94	39.95
45-0830	(3)	SHIFT PLUNGER	AT EXPLORER 95-01 (1)	28.69	22.95
45-0835	(4)	BUSHING-SHIFT TUBE	AT EXPLORER 95-01 (2)	2.44	1.95
47-0970	(5)	COLUMN SHIFTLOCK ACTUATOR	EXPLORER 95-01 (1)	68.69	54.95
50-8193	(6)	TURN/WIPER SWITCH	EXPLORER 95-01 (1)	99.94	79.95
47-3595	(7)	SOCKET-SWITCH	EXPLORER 95-01 (1)	12.44	9.95
45-0812	(8)	TILT LEVER	EXPLORER 95-01 (1)	24.94	19.95
45-0768	(9)	COLUMN ACTUATOR	EXPLORER 95-01 (1)	22.44	17.95
45-0773	(10)	STEERING LOCK LEVER	EXPLORER 95-01 (1)	22.44	17.95

Steering Gear

Explorer 1991-94



**Core Refund Information - Steering Gear:** A rebuildable core will have no excessive wear. No disassembled units. No worn, broken, scored, damaged, cracked, frozen or rusted housings. No broken or damaged mounting points. If it does not meet the above standards, it is not rebuildable and will not be refunded. DO NOT send a non-rebuildable core.

PART	ILL#	DESCRIPTION AND APPLICATION	REQD	LIST	SELL
45-1022-Z	(1)	STEERING GEAR-POWER \$50 CORE	91-94 (1)	237.44	189.95
40-0191	(2)	BOLT-5-1/4"LONG	EXPLORER 91-94 (3)	14.94	11.95
40-0700	(3)	WASHER	EXPLORER 91-94 (3)	3.69	2.95

Pitman Arm Puller



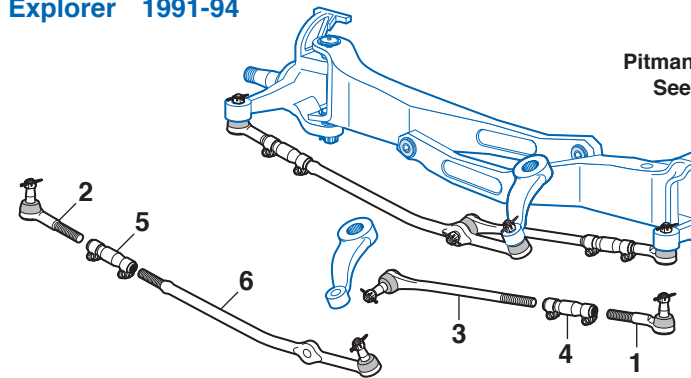
45-2202

The Pitman Arm Puller features a forged, heat-treated steel yoke that is designed to wrap securely around the pitman arm to allow for easy removal. Heavy-duty center screw has pointed tip and 3/4" hex head. Opening: 1-5/16" (33mm). Depth: 2-1/2" (64mm).

PART	DESCRIPTION AND APPLICATION	LIST	SELL
45-2202	PITMAN ARM PULLER	24.94	19.95

## Steering Controls - 2 Wheel Drive

Explorer 1991-94

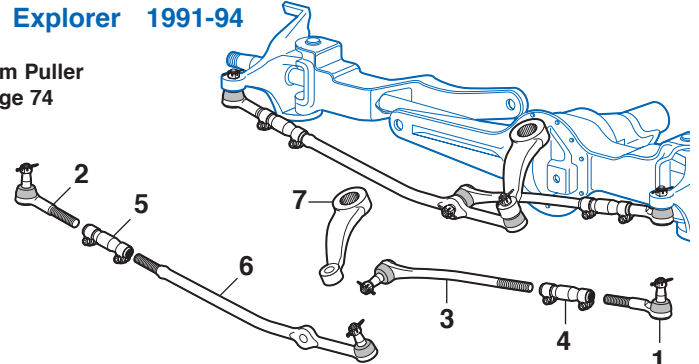


Pitman Arm Puller  
See Page 74

PART	ILL#	DESCRIPTION AND APPLICATION	REQD	LIST	SELL
50-5414	(1)	TIE ROD END-OUTER-LH 2WD EXPLORER	91-94 (1)	49.94	39.95
50-5415	(2)	TIE ROD END-OUTER-RH 2WD EXPLORER	91-94 (1)	49.94	39.95
50-5433	(3)	TIE ROD END-INNER 2WD EXPLORER	91-94 (1)	49.94	39.95
45-2191	(4)	ADJUSTING SLEEVE-LH 2WD EXPLORER	91-94 (1)	21.19	16.95
45-1160	(5)	ADJUSTING SLEEVE-RH 2WD EXPLORER	91-94 (1)	12.44	9.95
50-5515	(6)	DRAG LINK 2WD EXPLORER	91-94 (1)	74.94	59.95

## Steering Controls - 4 Wheel Drive

Explorer 1991-94

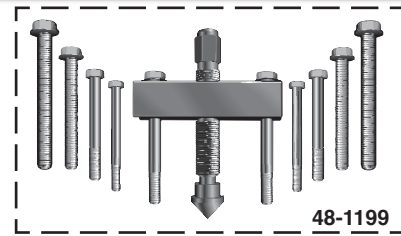


PART	ILL#	DESCRIPTION AND APPLICATION	REQD	LIST	SELL
45-2122	(1)	TIE ROD END-OUTER-LH 4WD EXPLORER	91-94 (1)	24.94	19.95
45-2123	(2)	TIE ROD END-OUTER-RH 4WD EXPLORER	91-94 (1)	24.94	19.95
50-5434	(3)	TIE ROD END-INNER 4WD EXPLORER	91-94 (1)	37.44	29.95
45-2190	(4)	ADJUSTING SLEEVE-LH 4WD EXPLORER	91-94 (1)	21.19	16.95
45-2191	(5)	ADJUSTING SLEEVE-RH 4WD EXPLORER	91-94 (1)	21.19	16.95
50-5512	(6)	DRAG LINK 4WD EXPLORER	91-94 (1)	62.44	49.95
50-5476	(7)	PITMAN ARM-POWER 4WD EXPLORER	91-94 (1)	149.94	119.95

## Steering Wheel Puller

Steering Wheel Puller features a forged, milled yoke and center screw with pointed/removable adaptor. Includes five sets of bolts in standard and metric sizes to allow removal of most steering wheels. Can also be used to remove pulleys, flanges and gears.

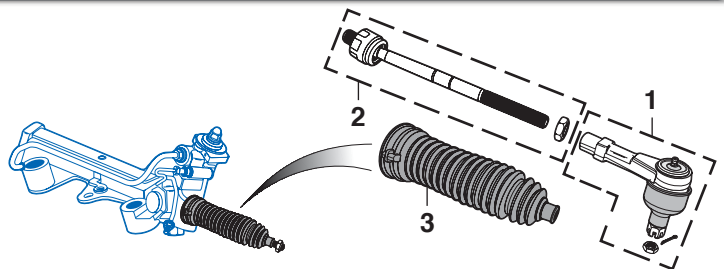
PART	DESCRIPTION AND APPLICATION	LIST	SELL
48-1199	STEERING WHEEL PULLER	31.19	24.95



## Steering Controls

Explorer 1995-05

PART	ILL#	DESCRIPTION AND APPLICATION	REQD	LIST	SELL
50-5416	(1)	TIE ROD END-OUTER EXPLORER	98-05 (2)	18.69	14.95
50-5426	(2)	TIE ROD-INNER EXPLORER	95-01 (2)	18.69	14.95
50-5439	(3)	BOOT-RACK & PINION EXPLORER	95-05 (2)	22.44	17.95



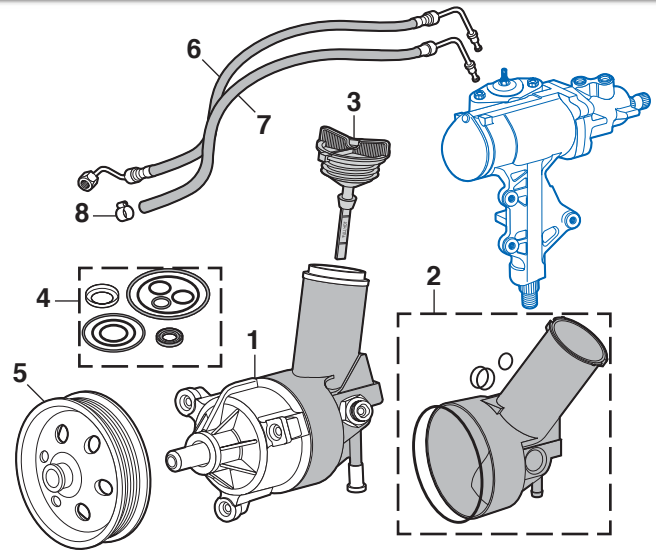
## Power Steering Components

Explorer 1991-05

**Core Refund Information - Power Steering Pump:** A rebuildable core will have no broken or stripped Mountings, no damaged Port Threads, no damage to Pitman Shaft and the Housing must not be cracked. If it does not meet the above standards, it is not rebuildable and will not be refunded. DO NOT send a non-rebuildable core.

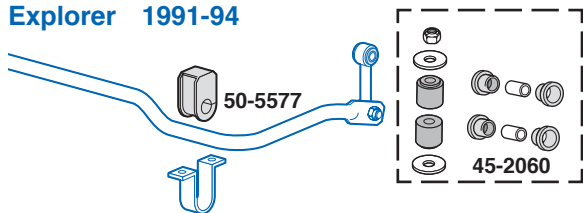
W/OHV = With Overhead Valve  
W/SOHC = With Single Overhead Cam

PART	ILL#	DESCRIPTION AND APPLICATION	REQD	LIST	SELL
50-5664-Z	(1)	POWER STEERING PUMP \$25 CORE W/RESERVOIR EXPLORER	91-94 (1)	87.44	69.95
45-0940	(2)	RESERVOIR WITH O-RINGS EXPLORER	91-01 (1)	37.44	29.95
43-1820	(3)	RESERVOIR CAP EXPLORER	91-01 (1)	8.69	6.95
43-1827	(4)	SEAL KIT-PUMP EXPLORER	91-01 (1)	16.19	12.95
43-2302	(5)	PULLEY W/OHV 4.0L EXPLORER	91-01 (1)	21.19	16.95
43-2303		PULLEY W/SOHC 4.0L EXPLORER	97-05 (1)	21.19	16.95
43-2304		PULLEY 4.6L EXPLORER	02-05 (1)	24.94	19.95
43-2303		PULLEY 5.0L EXPLORER	96-01 (1)	21.19	16.95
50-5708	(6)	PRESSURE HOSE EXPLORER	91-94 (1)	46.19	36.95
50-5734	(7)	RETURN HOSE EXPLORER	91-94 (1)	16.19	12.95
40-3430	(8)	CLAMP-RETURN HOSE EXPLORER	91-94 A/R	1.19	.95



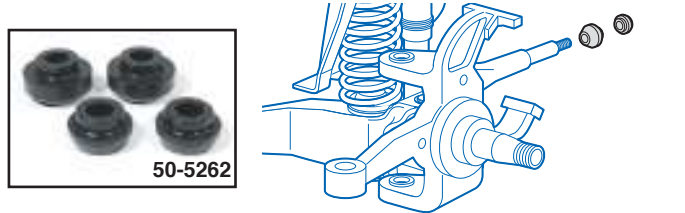
Front Sway Bar Parts

Explorer 1991-94



PART	DESCRIPTION AND APPLICATION	REQD	LIST	SELL
50-5577	FRONT SWAY BAR BUSHING 1" BAR 2WD	91-94 (2)	12.44	9.95
50-5577	FRONT SWAY BAR BUSHING 1" BAR 4WD	91-94 (2)	12.44	9.95
50-5578	FRONT SWAY BAR BUSHING 7/8" BAR 4WD	91-94 (2)	12.44	9.95
45-2060	FRONT END LINK BUSHING KIT 2WD 4WD	91-94 (2)	22.44	17.95

Polyurethane Radius Arm Bushing Set

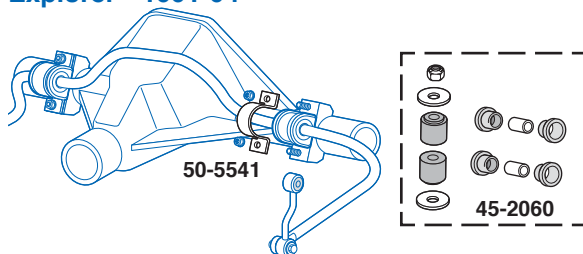


Polyurethane Bushings allow your suspension to travel throughout its full range without binding, yet are firm enough to maintain proper alignment.

PART	DESCRIPTION AND APPLICATION	REQD	LIST	SELL
50-5262	RADIUS ARM BUSHING SET EXPLORER	91-94 (1)	24.94	19.95

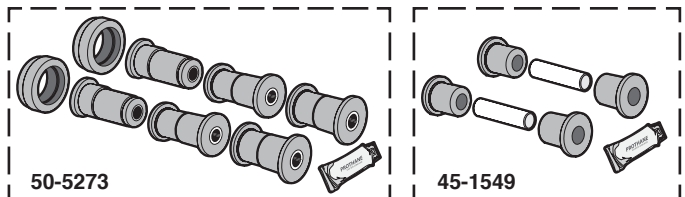
Rear Sway Bar Parts

Explorer 1991-94



PART	DESCRIPTION AND APPLICATION	REQD	LIST	SELL
50-5541	REAR SWAY BAR BRACKET EXPLORER	91-94 (2)	24.94	19.95
45-2060	REAR END LINK BUSHING KIT EXPLORER	91-94 (2)	22.44	17.95

Polyurethane Leaf Spring Bushing Sets

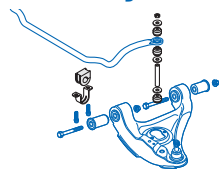


The combination of heavy-duty leaf springs and Polyurethane Spring Bushings allows the rest of your suspension to function properly and give you that positive feeling on take off, cornering, braking and bumps.

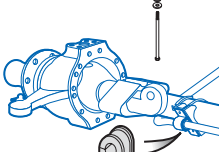
PART	DESCRIPTION AND APPLICATION	REQD	LIST	SELL
50-5273	RR SPRING/SHACKLE BUSHNG SET "A" EXPLORER	91-94 (1)	62.44	49.95
45-1549	REAR SHACKLE BUSHING SET "A" EXPLORER	91-94 (1)	21.19	16.95

Note: "A" Fits OE leaf springs only.

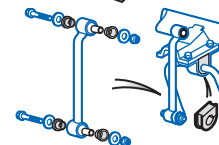
Polyurethane Sway Bar Bushing Sets



**A Style** sets include two sway bar bushings for use with existing brackets and two complete endlink assemblies.



**B Style** sets include two sway bar bushings for use with existing brackets only. Endlink bushings are not included.

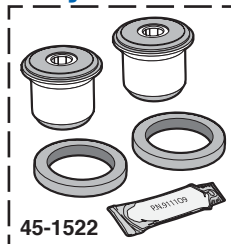


**C Style** sets include two sway bar bushings for use with existing brackets and eight bushings with four sleeves for endlinks.

Specially formulated bushings allow your sway bars to work 100% of the time. Will not mush out or distort like original rubber. Handling characteristics improve dramatically with these polyurethane bushings. Use with your existing mounting brackets.

PART	DESCRIPTION AND APPLICATION	REQD	LIST	SELL
<b>Front Sway Bar Bushing Sets</b>				
50-5370	BUSHING SET A STYLE EXPLORER	95-97 (1)	49.94	39.95
50-5371	BUSHING SET A STYLE EXPLORER	98-01 (1)	62.44	49.95
50-5372	BUSHING SET B STYLE EXPLORER	02-05 (1)	12.44	9.95
<b>Rear Sway Bar Bushing Sets</b>				
50-5373	BUSHING SET C STYLE EXPLORER	95-01 (1)	31.19	24.95
50-5374	BUSHING SET B STYLE EXPLORER	02-05 (1)	12.44	9.95

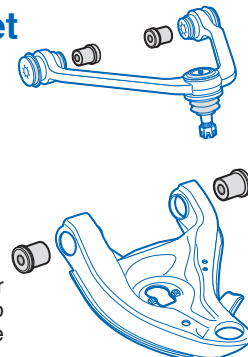
Polyurethane Axle Pivot Bushing Set



Polyurethane Axle Pivot Bushings allow full travel without binding and tearing. Unique two durometer bushings feature a firm center, soft outside to allow flex when needed. Complete with thrust washers. Unaffected by chemical spills, ozone, road salt or other atmospheric contaminants. Bushings do not come with shells, you must use your existing outer shells.

PART	DESCRIPTION AND APPLICATION	REQD	LIST	SELL
45-1522	AXLE PIVOT BUSHING SET 4WD EXPLORER	91-94 (1)	43.69	34.95

Polyurethane Front Control Arm Bushing Set



Front Control Arm Bushings are a must for increased control when cornering. They also help maintain proper alignment and reduce deflection caused by road irregularities.

PART	DESCRIPTION AND APPLICATION	REQD	LIST	SELL
50-5264	CONTROL ARM BUSHING SET EXPLORER	95-01 (1)	87.44	69.95

## Performance Sway Bars Give You Bolt-On Handling and Control ... Drive Faster Through Turns with Improved Handling

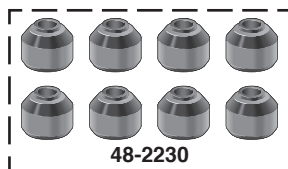
% Increase in Resistance

Sway Bar	1-1/4"	779%	418%	192%
	1-1/8"	511%	274%	130%
	1"	319%	171%	
	7/8"	186%		
Stock Bar	3/4"	7/8"	1-1/16"	

If your SUV is not balanced or stable, the front end of your vehicle will not hold the road on a curve as well as the rear and vice versa. When your SUV leans on curves, it throws the weight outwards and tilts the front wheels. This destroys the vehicle's road holding ability causing the wheels to "drift" or "creep" sideways in the turn thus leading to excessive tire wear.

By properly installing anti-sway bars you can give your SUV the balance and stability it needs in curves, passing situations or uneven surfaces. Performance Sway Bars are made with high torque resistant steel with forged bar ends, not welded tips. There are no metal-to-metal fittings to cause wear and noise. Now you can give your Ford SUV the handling performance of a top-of-the-line "Big Bucks" model and it costs less than the price of a new set of tires.

**Urethane End Link Bushings** are sold as a competition option. These non-compressing bushings allow sway bars to exert maximum control. Urethane bushings do not collapse an inch before sway bar comes into play like standard rubber bushings.



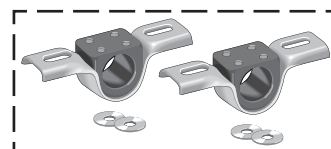
PART	DESCRIPTION AND APPLICATION	LIST	SELL
48-2230	URETHANE END LINK BUSHING SET SET OF 8	24.94	19.95



PART	DESCRIPTION AND APPLICATION	REQD	LIST	SELL
<b>Front Sway Bar</b>				
50-4835	FRONT SWAY BAR 1-1/8" "A" EXPLORER	91-94 (1)	287.44	229.95
<b>Rear Sway Bar</b>				
50-4836	REAR SWAY BAR 7/8" "A" EXPLORER	91-94 (1)	312.44	249.95

Note: "A" Must be used if you have an existing bar on your vehicle. This bar is a larger diameter than the factory bar, but uses the same mounting points. It may require the use of special hardware that was factory installed. This bar cannot be used without the original hardware.

**Urethane Frame Bushings** are extremely hard replacement bushings that hold sway bar mid-sections. Eliminates all bushing "give". Applicable to almost all sway bars that attach with regular rubber bushings and brackets.



PART	DESCRIPTION AND APPLICATION	LIST	SELL
48-2235	URETHANE FRAME BUSHING SET 7/8" SET OF 2	24.94	19.95
48-2240	URETHANE FRAME BUSHING SET 1" SET OF 2	24.94	19.95
48-2241	URETHANE FRAME BUSHING SET 1-1/8" SET OF 2	24.94	19.95
50-4839	URETHANE FRAME BUSHING SET 1-1/4" SET OF 2	21.19	16.95

## KYB® Shock Absorbers ... Driving Control, Even Ride and Performance Handling



**Gas-A-Just Shock Absorbers:** Features higher gas pressure to provide unsurpassed control on even the most demanding roads. Eliminates the age old problem of performance fade by eliminating aeration and foaming, a problem with other shocks that use two-tube construction that allows air to mix with fluid.

PART	DESCRIPTION AND APPLICATION	REQD	LIST	SELL
50-5911	KYB GAS-A-JUST SHOCK-FRONT EXPLORER	91-94 (2)	74.94	59.95
50-5919	KYB GAS-A-JUST SHOCK-REAR EXPLORER	91-94 (2)	74.94	59.95
50-5909	KYB GAS-A-JUST SHOCK-FRONT "A" EXPLORER	95-01 (2)	74.94	59.95
50-5919	KYB GAS-A-JUST SHOCK-REAR "A" EXPLORER	95-01 (2)	74.94	59.95

Note: "A" For models without adjustable suspension.



**GR-2 Gas Shock Absorbers:** Features lower pressure for riding comfort, with improved handling and response only gas shocks can provide at an economical price. The economical way to step up from hydraulic shocks to the quality ride and control of gas.

PART	DESCRIPTION AND APPLICATION	REQD	LIST	SELL
50-5901	KYB GR-2-GAS SHOCK-FRONT EXPLORER	91-94 (2)	43.69	34.95
50-5907	KYB GR-2-GAS SHOCK-REAR EXPLORER	91-94 (2)	49.94	39.95
50-5903	KYB GR-2-GAS SHOCK-FRONT "A" EXPLORER	95-01 (2)	49.94	39.95
50-5907	KYB GR-2-GAS SHOCK-REAR "A" EXPLORER	95-01 (2)	49.94	39.95
50-5900	KYB GR-2-GAS SHOCK-FRONT "B" EXPLORER	02-03 (2)	137.44	109.95
50-5913	KYB GR-2-GAS SHOCK-REAR "B" EXPLORER	02-05 (2)	137.44	109.95

Note: "B" Except Sport-Trac models.

## Heavy-Duty Gas-Charged Shocks

Don't forget! Shocks are an often overlooked and very important part on your ride. Are you experiencing that embarrassing bounce when you hit a dip or bump? Do you experience annoying brake dive or acceleration squat? Limit that unsafe roll or sway when cornering! Regain control of spring and suspension movement. Replace those worn out, leaking old shocks with these affordable Heavy-Duty (HD) Gas-Charged units.

Give yourself and your ride a safer tomorrow, today! Keep those tires on the road!

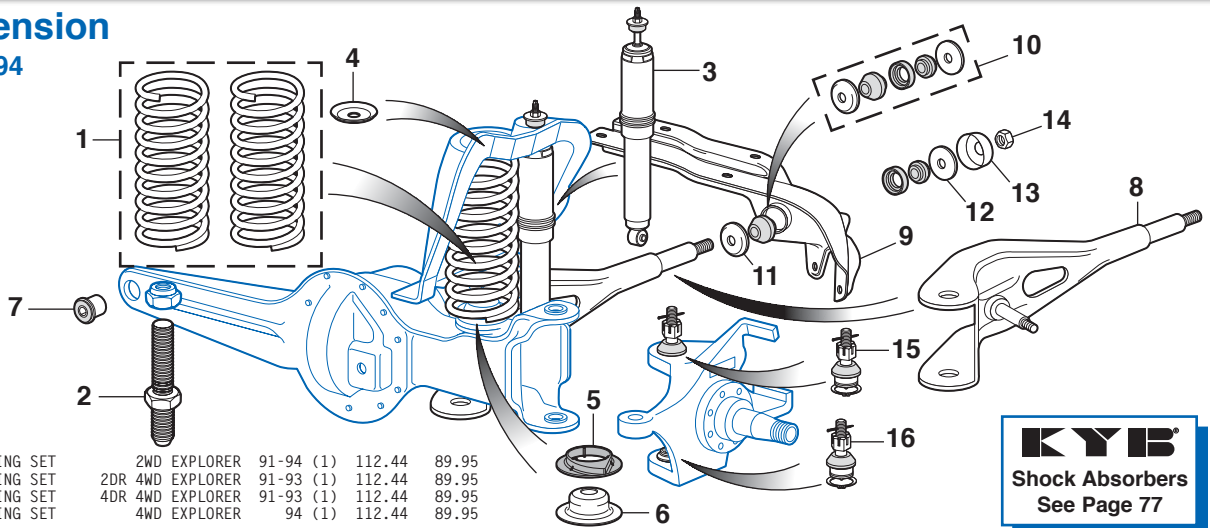


PART	DESCRIPTION AND APPLICATION	REQD	LIST	SELL
45-2375	HD GAS-CHARGED SHOCK-FRONT EXPLORER	91-94 (2)	24.94	19.95
50-5920	HD GAS-CHARGED SHOCK-REAR EXPLORER	91-94 (2)	24.94	19.95
45-2382	HD GAS-CHARGED SHOCK-FRONT 2WD EXPLORER	95-01 (2)	37.44	29.95
45-2381	HD GAS-CHARGED SHOCK-FRONT "A" 4WD EXPLORER	95-01 (2)	31.19	24.95
45-2383	HD GAS-CHARGED SHOCK-REAR "A" EXPLORER	95-01 (2)	37.44	29.95

Note: "A" For models without automatic ride control.

Front Suspension

Explorer 1991-94



2 DR = 2 Door  
4 DR = 4 Door

50-5929	(1)	COIL SPRING SET	2WD EXPLORER	91-94	(1)	112.44	89.95
50-5930		COIL SPRING SET	2DR 4WD EXPLORER	91-93	(1)	112.44	89.95
50-5929		COIL SPRING SET	4DR 4WD EXPLORER	91-93	(1)	112.44	89.95
50-5930		COIL SPRING SET	4WD EXPLORER	94	(1)	112.44	89.95
40-0985	(2)	COIL SPRING STUD	EXPLORER	91-94	(1)	19.94	15.95
45-2375	(3)	HD GAS SHOCK-FRONT	EXPLORER	91-94	(2)	24.94	19.95
50-5901		KYB GR2 SHOCK ABSORBER-FRT	EXPLORER	91-94	(2)	43.69	34.95
50-5911		KYB GAS-A-JUST SHOCK-FRONT	EXPLORER	91-94	(2)	74.94	59.95
40-2071	(4)	UPPER COIL SPRING BRACKET	EXPLORER	91-94	(2)	8.69	6.95
50-5495	(5)	COIL SPRING INSULATOR	EXPLORER	91-94	(2)	16.19	12.95
50-5496	(6)	LOWER COIL SPRING SEAT	2WD EXPLORER	91-94	(2)	12.44	9.95
50-5496		LOWER COIL SPRING SEAT	4WD EXPLORER	91-94	(2)	12.44	9.95
50-5311	(7)	AXLE PIVOT BUSHING	2WD EXPLORER	91-94	(2)	12.44	9.95
45-1413		AXLE PIVOT BUSHING	4WD EXPLORER	91-94	(2)	12.44	9.95
50-5640	(8)	RADIUS ARM	2WD EXPLORER	91-94	(2)	112.44	89.95
50-5641		RADIUS ARM	4WD EXPLORER	91-9/92	(2)	112.44	89.95
50-5642		RADIUS ARM	4WD EXPLORER	93-94	(2)	137.44	109.95
50-5652	(9)	RADIUS ARM BRACKET-LH "A"	EXPLORER	91-94	(1)	74.94	59.95

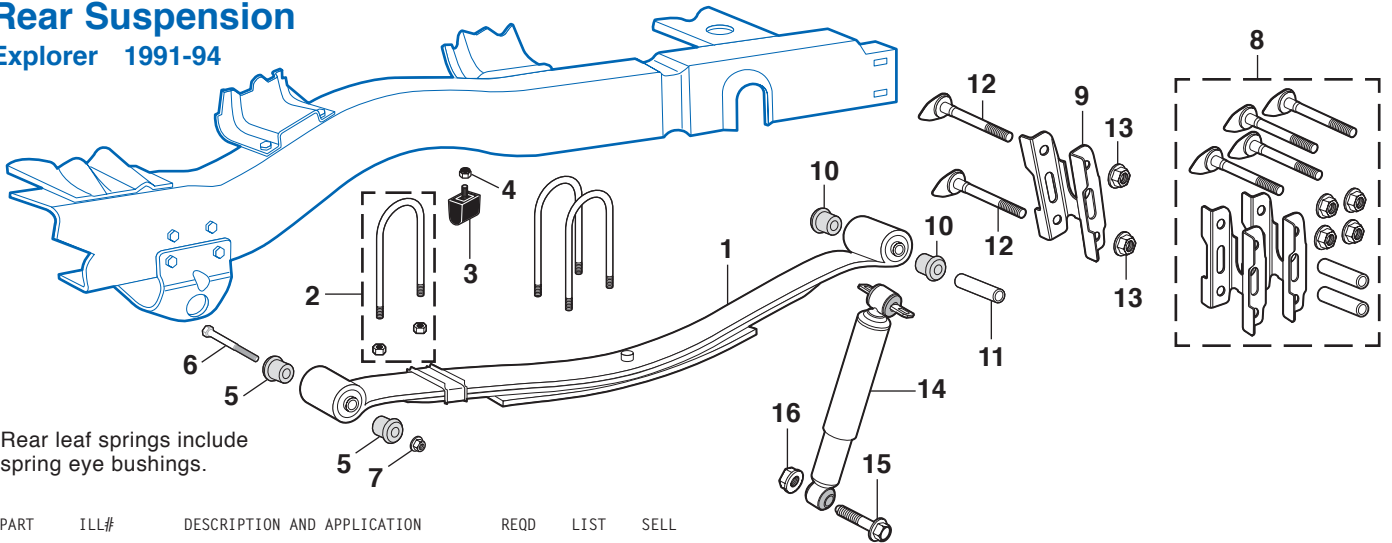
**KYB**  
Shock Absorbers  
See Page 77

PART	ILL#	DESCRIPTION AND APPLICATION	REQD	LIST	SELL
50-5320	(10)	RADIUS ARM BUSHING SET	EXPLORER 91-94	(2)	24.94 19.95
40-0988	(11)	RETAINER-BUSHING	EXPLORER 91-94	(2)	6.19 4.95
40-0989	(12)	WASHER-BUSHING	EXPLORER 91-94	(2)	4.94 3.95
45-1425	(13)	HEAT SHIELD-STAINLESS	EXPLORER 91-94	(2)	13.69 10.95
40-0999	(14)	TORQUE LOCK NUT	EXPLORER 91-94	(1)	3.69 2.95
50-5781	(15)	BALL JOINT-UPPER	2WD EXPLORER	91-94	(2) 24.94 19.95
45-2778		BALL JOINT-UPPER	4WD "B"	91-94	(2) 31.19 24.95
50-5782		BALL JOINT-UPPER	4WD "C"	91-94	(2) 21.19 16.95
50-5790	(16)	BALL JOINT-LOWER	4WD "B"	91-94	(2) 24.94 19.95
50-5791		BALL JOINT-LOWER	4WD "C"	91-94	(2) 24.94 19.95

Note: "A" Mounting hardware included.  
"B" DANA 28 with threaded stud.  
"C" DANA 35 with pinch bolt.

Rear Suspension

Explorer 1991-94



Rear leaf springs include spring eye bushings.

PART	ILL#	DESCRIPTION AND APPLICATION	REQD	LIST	SELL
50-5964	(1)	REAR LEAF SPRING-3 LEAF	EXPLORER 91-94	(2)	124.94 99.95
50-5965		REAR LEAF SPRING-4 LEAF	EXPLORER 91-94	(2)	124.94 99.95
50-0293	(2)	U-BOLT W/WASHER NUT	EXPLORER 91-94	(4)	18.69 14.95
50-5366	(3)	AXLE BUMPER	EXPLORER 91-94	(2)	18.69 14.95
50-0811	(4)	NUT-AXLE BUMPER	EXPLORER 91-94	(2)	.81 .65
50-5381	(5)	SPRING EYE BUSHING-FRT "A"	EXPLORER 91-94	(4)	18.69 14.95
50-0295	(6)	BOLT	EXPLORER 91-94	(2)	12.44 9.95
40-0840	(7)	TORQUE LOCK NUT	EXPLORER 91-94	(2)	2.44 1.95

PART	ILL#	DESCRIPTION AND APPLICATION	REQD	LIST	SELL
50-5623	(8)	SHACKLE SET-REAR	"B" EXPLORER 91-94	(1)	112.44 89.95
50-5624	(9)	SHACKLE ASSEMBLY-REAR	EXPLORER 91-94	(2)	49.94 39.95
50-5383	(10)	SPRING EYE BUSHING-REAR	EXPLORER 91-94	(4)	6.19 4.95
50-5385	(11)	SLEEVE-SPRING EYE BUSHING	EXPLORER 91-94	(2)	24.94 19.95
50-0296	(12)	BOLT	EXPLORER 91-94	(4)	9.94 7.95
40-0840	(13)	TORQUE LOCK NUT	EXPLORER 91-94	(4)	2.44 1.95
50-5920	(14)	HD GAS SHOCK-REAR	EXPLORER 91-94	(2)	24.94 19.95
50-5907		KYB GR2-GAS SHOCK-REAR	EXPLORER 91-94	(2)	49.94 39.95
50-5919		KYB GAS-A-JUST SHOCK-REAR	EXPLORER 91-94	(2)	74.94 59.95
50-0298	(15)	BOLT	EXPLORER 91-94	(2)	3.69 2.95
40-0819	(16)	TORQUE LOCK NUT	EXPLORER 91-94	(2)	1.19 .95

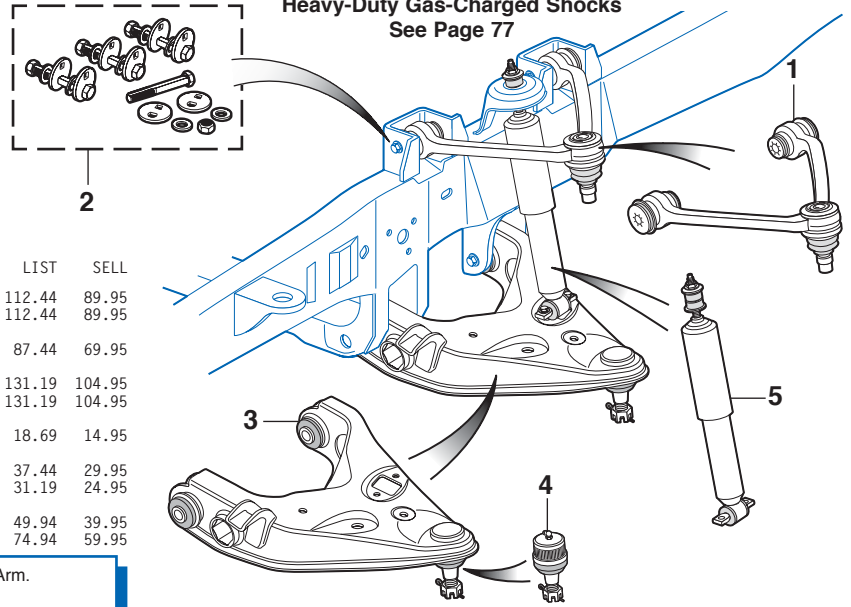
Note: "A" Fits OE leaf springs only.  
"B" Shackle set does both rear springs.

## Front Suspension

Explorer 1995-01



A-Arm Assemblies include bushings and a ball joint.

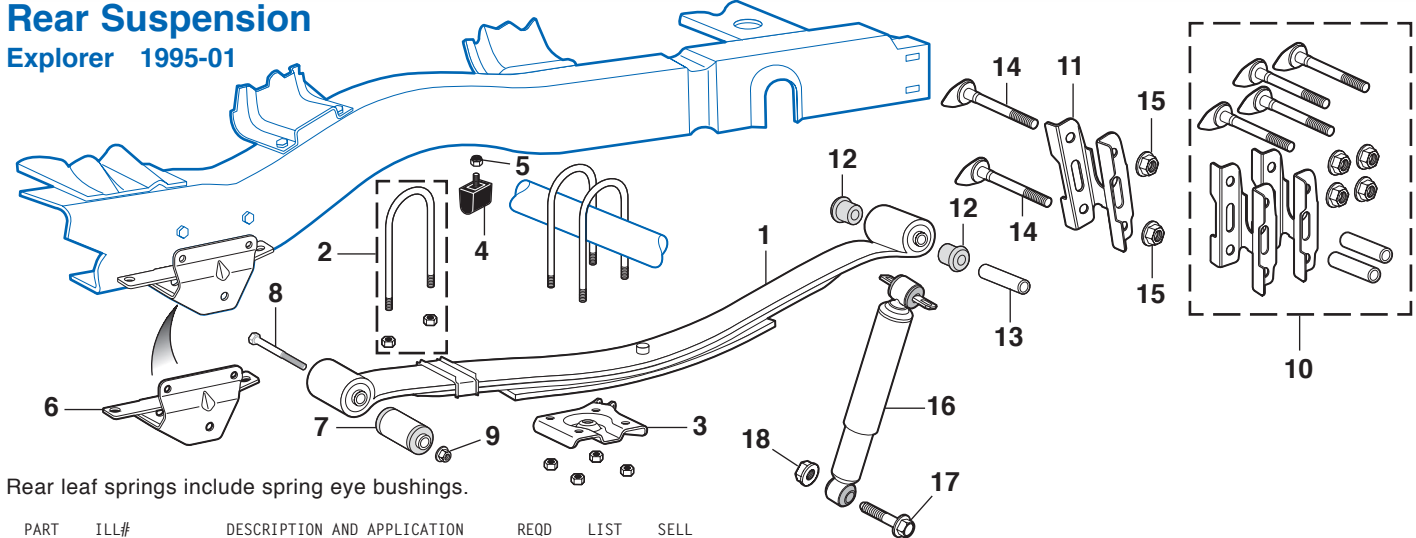


PART	ILL#	DESCRIPTION AND APPLICATION	REQD	LIST	SELL
50-5390	(1)	UPPER A-ARM ASSEMBLY-LH	EXPLORER 95-01 (1)	112.44	89.95
50-5391	(1)	UPPER A-ARM ASSEMBLY-RH "A"	EXPLORER 95-01 (1)	112.44	89.95
45-2701	(2)	ADJUSTABLE CAM BOLT KIT	EXPLORER 95-01 (1)	87.44	69.95
50-5406	(3)	LOWER A-ARM ASSEMBLY-LH	EXPLORER 95-01 (1)	131.19	104.95
50-5407	(1)	LOWER A-ARM ASSEMBLY-RH	EXPLORER 95-01 (1)	131.19	104.95
45-2788	(4)	LOWER BALL JOINT	EXPLORER 95-01 (2)	18.69	14.95
45-2382	(5)	HD GAS-CHARGED SHOCK 2WD	EXPLORER 95-01 (2)	37.44	29.95
45-2381	(2)	HD GAS-CHARGED SHOCK 4WD"B"	EXPLORER 95-01 (2)	31.19	24.95
50-5903		KYB GR2 GAS SHOCK "B"	EXPLORER 95-01 (2)	49.94	39.95
50-5909		KYB GAS-A-JUST SHOCK "B"	EXPLORER 95-01 (2)	74.94	59.95

Note: "A" One piece design that replaces original one or two piece A-Arm.  
 "B" For models without automatic ride control.

## Rear Suspension

Explorer 1995-01



Rear leaf springs include spring eye bushings.

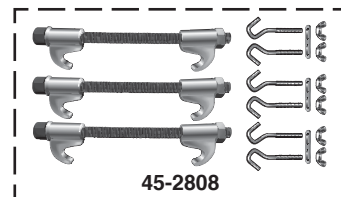
PART	ILL#	DESCRIPTION AND APPLICATION	REQD	LIST	SELL
50-5964	(1)	REAR LEAF SPRING-3 LEAF	EXPLORER 95-01 (2)	124.94	99.95
50-5965	(2)	REAR LEAF SPRING-4 LEAF	EXPLORER 95-01 (2)	124.94	99.95
50-0293	(2)	U-BOLT W/WASHER NUT	EXPLORER 95-01 (4)	18.69	14.95
50-5596	(3)	SPRING SEAT-LH	EXPLORER 95-01 (1)	46.19	36.95
50-5597	(1)	SPRING SEAT-RH	EXPLORER 95-01 (1)	46.19	36.95
50-5366	(4)	AXLE BUMPER	EXPLORER 95-01 (2)	18.69	14.95
50-0811	(5)	NUT-AXLE BUMPER	EXPLORER 95-01 (2)	.81	.65
50-5594	(6)	SPRING HANGER-FRONT-LH	EXPLORER 98-01 (1)	74.94	59.95
50-5595	(1)	SPRING HANGER-FRONT-RH	EXPLORER 98-01 (1)	74.94	59.95
50-5386	(7)	SPRING EYE BUSHING-FRONT	EXPLORER 95-01 (2)	56.19	44.95
50-0297	(8)	BOLT	EXPLORER 95-01 (2)	8.69	6.95
50-0813	(9)	NUT	EXPLORER 95-01 (2)	7.44	5.95
50-5623	(10)	SHACKLE SET-REAR	"A" EXPLORER 95-01 (1)	112.44	89.95
50-5624	(11)	SHACKLE ASSEMBLY-REAR	EXPLORER 95-01 (2)	49.94	39.95
50-5383	(12)	SPRING EYE BUSHING-REAR	EXPLORER 95-01 (4)	6.19	4.95
50-5385	(13)	SLEEVE-SPRING EYE BUSHING	EXPLORER 95-01 (2)	24.94	19.95
50-0296	(14)	BOLT	EXPLORER 95-01 (4)	9.94	7.95
40-0840	(15)	TORQUE LOCK NUT	EXPLORER 95-01 (4)	2.44	1.95
50-5920	(16)	HD GAS SHOCK-REAR	"B" EXPLORER 95-01 (2)	24.94	19.95
50-5907		KYB GR2-GAS SHOCK-REAR "B"	EXPLORER 95-01 (2)	49.94	39.95
50-5919		KYB GAS-A-JUST SHOCK-RR "B"	EXPLORER 95-01 (2)	74.94	59.95
50-0298	(17)	BOLT	EXPLORER 95-01 (2)	3.69	2.95
40-0819	(18)	TORQUE LOCK NUT	EXPLORER 95-01 (2)	1.19	.95

Note: "A" Shackle set does both rear springs.  
 "B" For models without adjustable suspension.

## Coil Spring Compressor

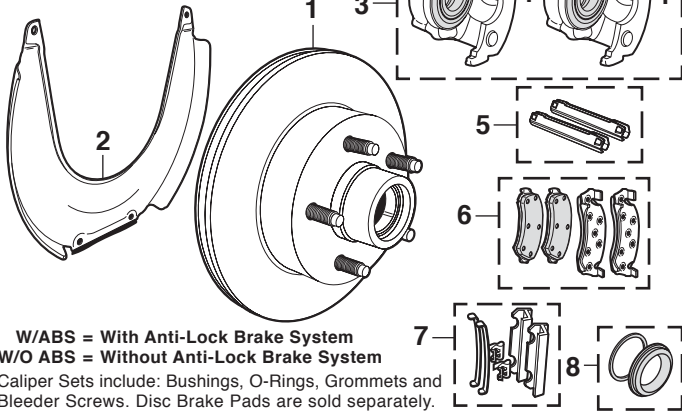
Remove and install coil springs with convenience and safety. Features safety U-bolt set, Acme threaded rods and ductile alloy cast hooks for safe and easy operation.

PART	DESCRIPTION AND APPLICATION	LIST	SELL
45-2808	COIL SPRING COMPRESSOR 3 SHAFTS	62.44	49.95



**Front Disc Brakes**

Explorer 1991-94



W/ABS = With Anti-Lock Brake System  
W/O ABS = Without Anti-Lock Brake System

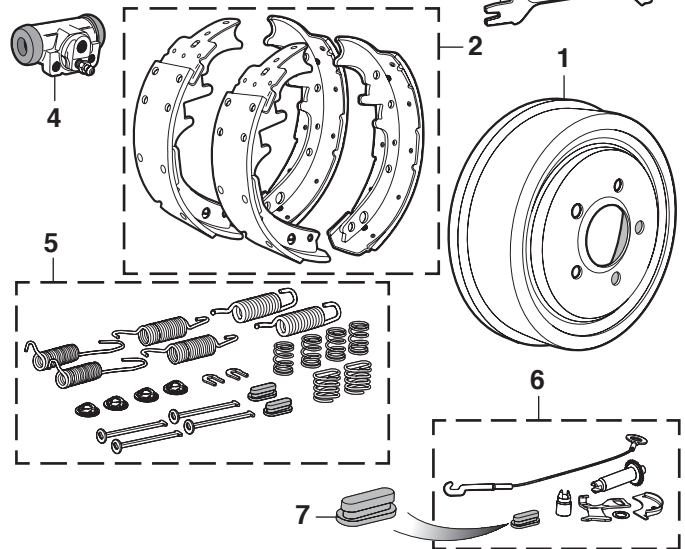
Caliper Sets include: Bushings, O-Rings, Grommets and Bleeder Screws. Disc Brake Pads are sold separately.

**Core Refund Information - Calipers:** A rebuildable core will have no excessive wear. Caliper must be assembled. No worn, damaged or cracked castings. No damaged bleeder screw threads or seat. No worn or elongated mounting points. If it does not meet the above standards, it is not rebuildable and will not be refunded. DO NOT send a non-rebuildable core.

PART	ILL#	DESCRIPTION AND APPLICATION	REQD	LIST	SELL
50-6556	(1)	HUB & ROTOR W/O ABS	2WD EXPLORER 91-94 (2)	49.94	39.95
50-6557		HUB & ROTOR W/ABS	2WD EXPLORER 93-94 (2)	62.44	49.95
50-6552		HUB & ROTOR W/O ABS	4WD EXPLORER 91-94 (2)	56.19	44.95
50-6554		HUB & ROTOR W/ABS	4WD EXPLORER 91-92 (2)	56.19	44.95
50-6558		HUB & ROTOR W/ABS	4WD EXPLORER 93-94 (2)	62.44	49.95
50-6691	(2)	BRAKE SHIELD	4WD EXPLORER 91-94 (2)	31.19	24.95
50-6610-Z	(3)	CALIPER SET \$20 CORE	EXPLORER 91-94 (1)	62.44	49.95
45-3656	(4)	BLEEDER SCREW	EXPLORER 91-94 (2)	1.56	1.25
45-3102	(5)	GUIDE PIN SET	EXPLORER 91-94 (2)	7.44	5.95
50-6410	(6)	DISC BRAKE PAD SET	EXPLORER 91-94 (1)	24.94	19.95
50-6415	(7)	CALIPER HARDWARE KIT	EXPLORER 91-94 (1)	14.94	11.95
50-6416	(8)	CALIPER REPAIR KIT	EXPLORER 91-94 (2)	11.19	8.95

**Rear Drum Brakes**

Explorer 1991-94



PART	ILL#	DESCRIPTION AND APPLICATION	REQD	LIST	SELL
50-6572	(1)	REAR BRAKE DRUM	EXPLORER 91-94 (2)	49.94	39.95
50-6051	(2)	BRAKE SHOE SET "A"	EXPLORER 91-94 (1)	37.44	29.95
50-6671	(3)	PARK BRAKE SPREADER BAR "A"	EXPLORER 91-94 (2)	14.94	11.95
50-6426	(4)	REAR WHEEL CYL-LH & RH	EXPLORER 91-94 (2)	18.69	14.95
50-6442	(5)	REAR DRUM HARDWARE KIT "A"	EXPLORER 91-94 (1)	7.44	5.95
50-6452	(6)	SELF-ADJUSTER KIT-LH	"A" EXPLORER 91-94 (1)	12.44	9.95
50-6453		SELF-ADJUSTER KIT-RH	"A" EXPLORER 91-94 (1)	12.44	9.95
45-3061	(7)	ADJUSTING HOLE COVER	EXPLORER 91-94 (1)	1.19	.95

Note: "A" Fits models with 10" brakes.

**Performance Non-Asbestos Disc Pads**

Explorer 1991-94

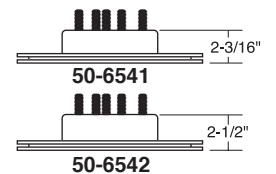


Extreme Performance Non-Asbestos Disc Brake Pads are proven performers that deliver the high braking performance you need on demand, under normal and rigorous driving conditions.

50-6400	NON-ASBESTOS BRAKE PADS-SET	EXPLORER 91-94 (1)	74.94	59.95
---------	-----------------------------	--------------------	-------	-------

**Front Slotted Cross Drilled Rotors**

Explorer 1991-94



The height of the hub and rotor assembly is measured from the backside of the rotor to the front of the hub.

Increase the braking ability of your SUV by installing Slotted Cross Drilled Rotors. Performance brake rotors provide shorter stopping distances, lessen fade and improve wet-weather braking. Chamfered cross drilled holes allow built-up heat and gasses to dissipate, lowering rotor temperature by up to 200°, prolonging rotor and pad life. The curved slots deglaze the brake pads, reduce brake fade and minimize brake dust. The rotors are CNC machined and feature a silver zinc coating to protect against corrosion.

PART	DESCRIPTION AND APPLICATION	REQD	LIST	SELL
<b>2 Wheel Drive Models</b>				
50-6543	SLOTTED/DRILLED ROTORS W/O ABS	EXPLORER 91-92 (1)	249.94	199.95
50-6544	SLOTTED/DRILLED ROTOR SET W/ABS	EXPLORER 91-94 (1)	287.44	229.95
<b>4 Wheel Drive Models</b>				
50-6541	SLOTTED/DRILLED ROTOR SET 2-3/16" TALL	EXPLORER 91-92 (1)	249.94	199.95
50-6542	SLOTTED/DRILLED ROTOR SET 2-1/2" TALL	EXPLORER 91-92 (1)	249.94	199.95
50-6545	SLOTTED/DRILLED ROTOR SET	EXPLORER 93-94 (1)	249.94	199.95

**Brake and Clutch Fluids**  
**Meet Your Safety Standards**



Castrol Brake and Clutch Fluid exceeds DOT 3 and DOT 4 specifications and is recommended for all vehicles with these requirements. Unique synthetic formulation provides maximum protection against vapor lock failure. Available in a 12-ounce bottle.

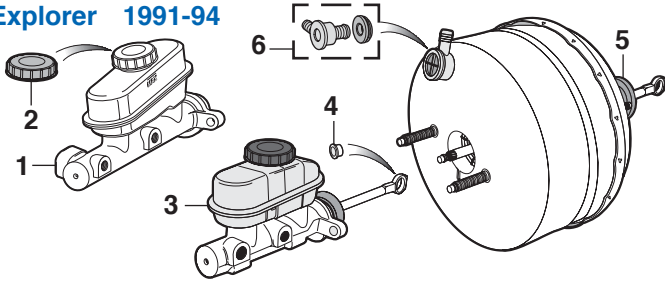
Silicone Brake and Clutch Fluid meets DOT 5 requirements and is best for extended use; it won't absorb water that can cause corrosion. Silicone Brake Fluid will not harm painted surfaces. Available in a 32-ounce bottle. **Not compatible with DOT 3 or DOT 4 brake fluid. Not for use in vehicles equipped with ABS.**

42-0851	CASTROL BRAKE/CLUTCH FLUID	DOT 4	6.19	4.95
42-0852	SILICONE BRAKE/CLUTCH FLUID	DOT 5	33.69	26.95



## Brake Master Cylinders and Remanufactured Brake Booster

Explorer 1991-94



**Core Refund Information - Brake Booster:** A rebuildable core will have no excessive wear. No broken, cracked or dented housings. No worn or stripped threads. If it does not meet the above standards, it is not rebuildable and will not be refunded. DO NOT send a non-rebuildable core.

PART	ILL#	DESCRIPTION AND APPLICATION	REQD	LIST	SELL
50-6312	(1)	MASTER CYLINDER W/O POWER EXPLORER	91-94 (1)	124.94	99.95
50-6300	(2)	CAP W/GASKET W/O POWER EXPLORER	91-94 (1)	14.94	11.95
50-6326	(3)	MASTER CYLINDER W/POWER EXPLORER	91-94 (1)	62.44	49.95
40-4426	(4)	BUSHING-BRAKE PUSHROD EXPLORER	91-94 (1)	8.69	6.95
50-6651-Z	(5)	BRAKE BOOSTER-REMAN \$20 CORE EXPLORER	91-94 (1)	99.94	79.95
47-0908	(6)	CHECK VALVE-BOOSTER EXPLORER	91-94 (1)	8.69	6.95

## Brake Drum and Caliper Paint System Adds Style and Protection

This is the most complete and easy-to-use paint kit available and includes everything necessary for a professional application. Applies easily as a brush-on to add a great styling touch and outstanding protection to your calipers or drums. System includes two-part paint, high performance brake cleaner, mixing can, stirrer, application brush and a color decal.



- Two-part paint offers extremely high heat resistance, up to 950°F.
- Brake fluids, road salt, oil and even loose gravel can't harm the durable high-gloss finish.
- Easier to apply and dries much harder than any spray-can product.
- Easy brush-on application does not require caliper or drum removal.
- Oil and chemical resistant high-gloss finish.
- Seals and protects with style.
- One system will cover up to four large calipers or two drums.

PART	DESCRIPTION AND APPLICATION	REQD	LIST	SELL
42-0800-BL	BRAKE DRUM/CALIPER PAINT SYSTEM BLACK	A/R	49.94	39.95
42-0800-RD	BRAKE DRUM/CALIPER PAINT SYSTEM RED	A/R	49.94	39.95

## Parking Brake Cable Repair Kit



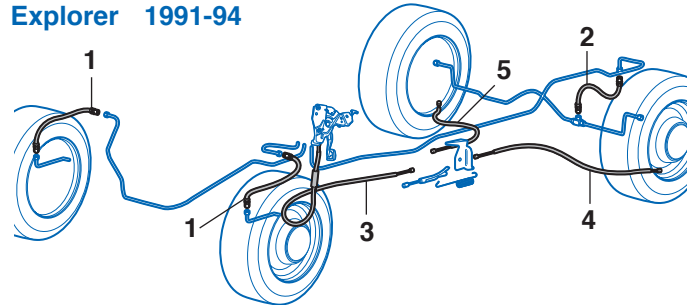
45-3063

Parking Brake Cable Repair Kit includes everything you need to repair one brake cable. Kit contains 10-foot cable, clamp, collar, bushing, ball end and detailed instructions.

PART	DESCRIPTION AND APPLICATION	REQD	LIST	SELL
45-3063	PARKING BRAKE CABLE REPAIR KIT	A/R	18.69	14.95

## Brake Hoses and Cables

Explorer 1991-94



PART	ILL#	DESCRIPTION AND APPLICATION	REQD	LIST	SELL
------	------	-----------------------------	------	------	------

### Brake Hoses - 2 Wheel Drive

50-6226	(1)	BRAKE HOSE-FRONT-LH	2WD EXPLORER	91 (1)	21.19	16.95
50-6227		BRAKE HOSE-FRONT-RH	2WD EXPLORER	91 (1)	21.19	16.95
50-6228		BRAKE HOSE-FRONT-LH	2WD EXPLORER	92 (1)	24.94	19.95
50-6229		BRAKE HOSE-FRONT-RH	2WD EXPLORER	92 (1)	24.94	19.95
50-6230		BRAKE HOSE-FRONT-LH	2WD EXPLORER	93-94 (1)	24.94	19.95
50-6231		BRAKE HOSE-FRONT-RH	2WD EXPLORER	93-94 (1)	24.94	19.95

50-6240	(2)	BRAKE HOSE-REAR	2WD EXPLORER	91-94 (1)	24.94	19.95
---------	-----	-----------------	--------------	-----------	-------	-------

### Brake Hoses - 4 Wheel Drive

50-6226	(1)	BRAKE HOSE-FRONT-LH	4WD EXPLORER	91 (1)	21.19	16.95
50-6227		BRAKE HOSE-FRONT-RH	4WD EXPLORER	91 (1)	21.19	16.95
50-6228		BRAKE HOSE-FRONT-LH	4WD EXPLORER	92 (1)	24.94	19.95
50-6229		BRAKE HOSE-FRONT-RH	4WD EXPLORER	92 (1)	24.94	19.95

50-6230		BRAKE HOSE-FRONT-LH	4WD EXPLORER	93-94 (1)	24.94	19.95
50-6231		BRAKE HOSE-FRONT-RH	4WD EXPLORER	93-94 (1)	24.94	19.95

50-6240	(2)	BRAKE HOSE-REAR	4WD EXPLORER	91-94 (1)	24.94	19.95
---------	-----	-----------------	--------------	-----------	-------	-------

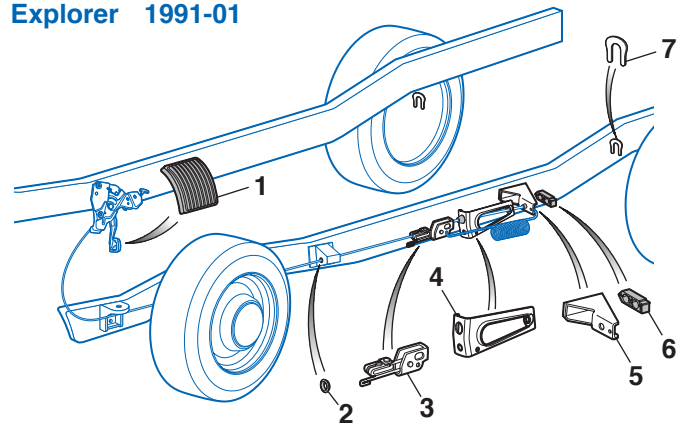
### Brake Cables

50-6128	(3)	FRONT BRAKE CABLE	EXPLORER	91-92 (1)	24.94	19.95
50-6130		FRONT BRAKE CABLE	EXPLORER	93-94 (1)	24.94	19.95

50-6132	(4)	REAR BRAKE CABLE-LH	EXPLORER	91-92 (1)	24.94	19.95
50-6133	(5)	REAR BRAKE CABLE-RH	EXPLORER	91-92 (1)	24.94	19.95
50-6134		REAR BRAKE CABLE-LH	EXPLORER	93-94 (1)	24.94	19.95
50-6135		REAR BRAKE CABLE-RH	EXPLORER	93-94 (1)	24.94	19.95

## Park Brake Components

Explorer 1991-01

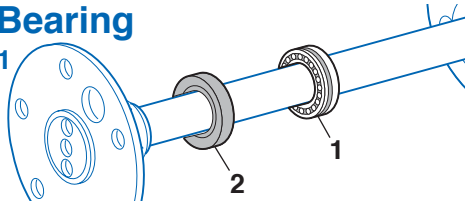


PART	ILL#	DESCRIPTION AND APPLICATION	REQD	LIST	SELL	
50-1430	(1)	PEDAL PAD-PARK BRAKE	EXPLORER	91-92 (1)	4.94	3.95
40-2281		PEDAL PAD-PARK BRAKE	EXPLORER	93-97 (1)	4.94	3.95
50-1460	(2)	GROMMET-BRAKE CABLE	EXPLORER	91-01 (2)	7.44	5.95
50-6629	(3)	ADJUSTER-PARK BRAKE	EXPLORER	91-01 (1)	47.44	37.95
50-6632	(4)	EQUALIZER-PARK BRAKE	EXPLORER	94-01 (1)	37.44	29.95
50-6636	(5)	BRACKET	EXPLORER	91-01 (1)	24.94	19.95
50-6640	(6)	CLAMP-REAR BRAKE CABLE	EXPLORER	91-01 (1)	11.19	8.95
40-1367	(7)	CLIP-PARK BRAKE ARM	"A" EXPLORER	91-94 (2)	1.19	.95

Note: "A" Fits models with 10" brakes.

Rear Wheel Bearing

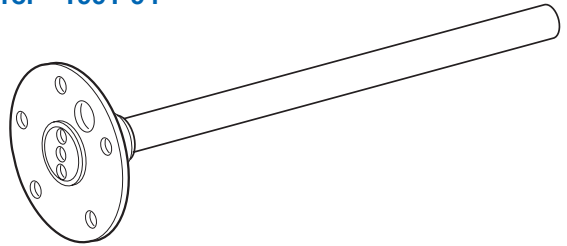
Explorer 1991-01



PART	ILL#	DESCRIPTION AND APPLICATION	REQD	LIST	SELL
45-0560	(1)	REAR WHEEL BEARING	EXPLORER 91-01 (2)	13.69	10.95
45-0156	(2)	SEAL	EXPLORER 91-01 (2)	2.44	1.95

Rear Axle Shaft

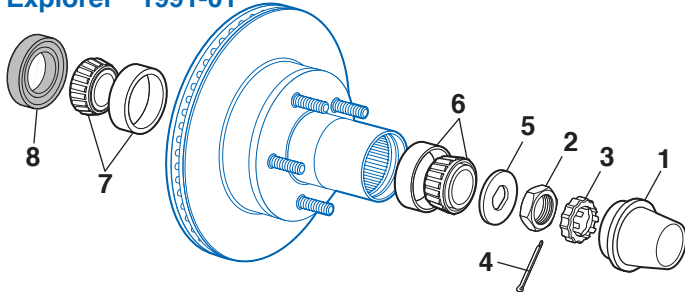
Explorer 1991-94



PART	DESCRIPTION AND APPLICATION	REQD	LIST	SELL
50-6824	REAR AXLE SHAFT-LH	EXPLORER 91-94 (1)	149.94	119.95
50-6825	REAR AXLE SHAFT-RH	EXPLORER 91-94 (1)	124.94	99.95

Front Wheel Bearing - 2 Wheel Drive

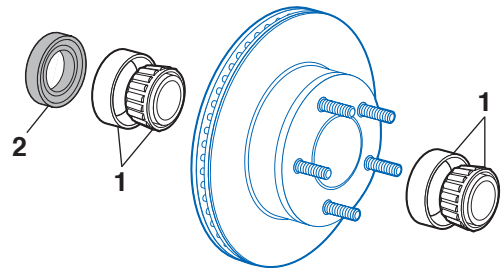
Explorer 1991-01



PART	ILL#	DESCRIPTION AND APPLICATION	REQD	LIST	SELL
40-1962	(1)	GREASE CAP	2WD EXPLORER 91-01 (2)	4.94	3.95
40-0692	(2)	SPINDLE NUT	2WD EXPLORER 91-01 (2)	3.69	2.95
40-0693	(3)	NUT RETAINER	2WD EXPLORER 91-01 (2)	2.44	1.95
40-2715	(4)	COTTER PIN	2WD EXPLORER 91-01 (2)	.25	.20
40-0697	(5)	WASHER	2WD EXPLORER 91-01 (2)	3.69	2.95
45-0538	(6)	WHEEL BEARING-OUTER	2WD EXPLORER 91-01 (2)	9.94	7.95
50-6780	(7)	WHEEL BEARING-INNER	2WD EXPLORER 91-94 (2)	12.44	9.95
45-0528		WHEEL BEARING-INNER	2WD EXPLORER 95-01 (2)	8.69	6.95
50-6791	(8)	SEAL	2WD EXPLORER 91-94 (2)	8.69	6.95

Front Wheel Bearing - 4 Wheel Drive

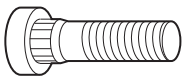
Explorer 1991-94



PART	ILL#	DESCRIPTION AND APPLICATION	REQD	LIST	SELL
45-0540	(1)	FRONT WHEEL BEARING 4WD	EXPLORER 91-94 (4)	12.44	9.95
45-0122	(2)	SEAL	4WD EXPLORER 91-94 (2)	7.44	5.95

Wheel Studs and Lug Nuts

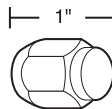
Explorer 1991-05



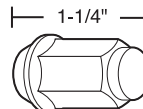
Wheel Stud



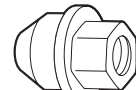
Open End Acorn



Chrome



Stainless Steel Cap



Center Cap Lug Nut

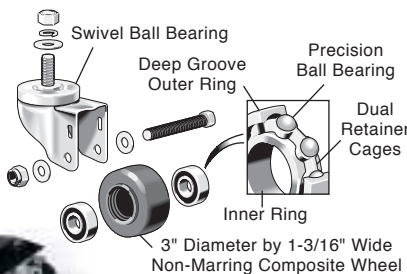
PART	DESCRIPTION AND APPLICATION	REQD	LIST	SELL
50-0260	WHEEL STUD-FRONT	2WD EXPLORER 91-01 (10)	2.44	1.95
50-0262	WHEEL STUD-FRONT	4WD EXPLORER 91-94 (10)	3.69	2.95
50-0263	WHEEL STUD-FRONT	4WD EXPLORER 95-01 (10)	3.69	2.95
50-0264	WHEEL STUD-FRONT	EXPLORER 02-05 (10)	3.69	2.95
40-1022	WHEEL STUD-REAR	EXPLORER 91-94 (10)	2.44	1.95
50-0265	WHEEL STUD-REAR	EXPLORER 95-01 (10)	2.44	1.95
50-0266	WHEEL STUD-REAR	EXPLORER 02-05 (10)	2.44	1.95

PART	DESCRIPTION AND APPLICATION	REQD	LIST	SELL
50-0560	LUG NUT-OPEN END ACORN	EXPLORER 91-94 (20)	1.19	.95
40-0785	LUG NUT-CHROME	EXPLORER 91-94 (20)	2.44	1.95
50-0561	LUG NUT-STAINLESS STEEL CAP	EXPLORER 91-05 (20)	4.94	3.95
50-0559	LUG NUT-MODELS WITH CENTER CAPS	EXPLORER 91-05 (20)	2.44	1.95

Extra Heavy-Duty Truck Dolly Set Makes Moving Your SUV Easy



LMC TRUCK EXCLUSIVE



49-3801

- XHD Truck Dolly Set makes it easy for one person to move a car, truck or SUV forward, backward or sideways into a tight spot.
- 7,000 lbs. rating means you can handle any car, SUV or truck up thru 3/4 ton pickups.
- Dolly platform painted black.
- 1/4" thick mild steel x 12" x 16" formed plate.
- Ball bearing caster wheels are 3" in diameter by 1-3/16" wide.
- Each non-marring composite caster has a swivel ball bearing and two deep groove ball bearings.
- Each dolly has one caster equipped with one locking safety brake.
- XHD Truck Dollies are only for use on level smooth surfaces.

PART	DESCRIPTION AND APPLICATION	LIST	SELL
49-3801	XHD TRUCK DOLLY SET OF 4 7,000 LB CAPACITY	212.44	169.95



## Exhaust Headers ... Bolt On up to 20% Horsepower Increase

Explorer 1991-94

**Bolt On**  
Up To  
**20% MORE**  
Horsepower

Limited Lifetime Warranty



50-1924



HEDMAN Headers are built to last and backed by a Limited Lifetime Warranty. Tests have shown a 1.1 second improvement in 0 to 60 second times. You can expect up to a 20% increase in horsepower and up to a 10% increase in gas mileage.

These headers have 2-1/2" collector tubes to give you excellent exhaust flow, reducing back pressure and improving performance. Supplied complete with all nuts, bolts, gaskets and instructions needed for installation ... even the decals! Call or go online and order yours today!

Increases in fuel efficiency and horsepower are based on a truck operating at factory specifications. Increases may vary according to the condition of your truck and driving habits.

PART	DESCRIPTION AND APPLICATION	REQD	LIST	SELL
50-1924	HEDMAN HEADER SET "A" "B" 4.0L EXPLORER 91-94	(1)	462.44	369.95

Note: "A" Without smog injection or injection heads.  
"B" Comes with Y-pipe to single catalytic converter.

## Exhaust Headers

Explorer 1995-97



Also Available with Black Painted Finish

50-1935

Headers are manufactured using mandrel-bent mild steel tubing, surface-ground thick steel flanges and a flanged collector reducer.

Available with a black painted finish or ARMOR Coat, a high-temp metallic-ceramic coating. The ARMOR Coating won't discolor like paint, chrome or dull finish coatings; it reduces under-hood temperatures, resists corrosion and is easy to keep clean.

Headers do not have any smog or engine management hookups and are for off-road use only. Fabrication is required to connect to exhaust pipes. Headers come with hardware, gaskets and instructions. Cylinder head bolts not included.

PART	DESCRIPTION AND APPLICATION	REQD	LIST	SELL
50-1935	HEADER-ARMOR COAT 4.0L EXPLORER 95-97	(1)	562.44	449.95
50-1915	HEADER-BLACK 4.0L EXPLORER 95-97	(1)	337.44	269.95



**Turbo Mufflers ... Reduce Noise without Restricting Power**

Highest quality turbo-style muffler which can be used as OE replacements as well as on custom exhaust systems.



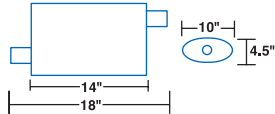
These mufflers are specially designed to reduce and control noise without excessively restricting power. Made from the finest quality materials.



48-6040

**Turbo Mufflers**

- Galvanized, double wrapped muffler casing for maximum rust protection.
- Spot welded, louvered baffles to eliminate vibration.
- Spun end caps for gas tight seal.
- Reverse flow so that muffler can be inverted.



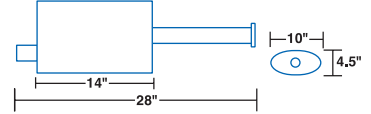
Part #	Inlet	Outlet
48-6040	2"	2"
48-6041	2-1/4"	2-1/4"
48-6042	2-1/2"	2-1/2"

Part #	DESCRIPTION AND APPLICATION	REQD	LIST	SELL
48-6040	HEDMAN TURBO MUFFLER	2" X 2" (1)	56.19	44.95
48-6041	HEDMAN TURBO MUFFLER	2-1/4" X 2-1/4" (1)	56.19	44.95
48-6042	HEDMAN TURBO MUFFLER	2-1/2" X 2-1/2" (1)	56.19	44.95



48-6050

**Turbo Header Mufflers**  
Has the same qualities as the Turbo Mufflers and has a 3" flange to bolt-up directly to most headers.



Part #	Inlet Flange	Inlet	Outlet	DESCRIPTION AND APPLICATION	REQD	LIST	SELL
48-6050	3" 3-bolt	2-1/4"	2-1/4"	HEDMAN TURBO HEADER MUFFLER	2-1/4" X 2-1/4" (1)	74.94	59.95

**Chrome Exhaust Tips**



Blunt Tip

Angle Tip

Chrome Exhaust Tips are triple chrome-plated for a lasting deep finish. Available in both Angle and Blunt Outlets. They are 9" long and are available in two sizes; 2-1/4" made to fit 2-1/4" outer diameter exhaust pipes and 2-1/2" made to fit 2-1/2" outer diameter exhaust pipes.

Chrome Exhaust Tips can be easily installed with exhaust clamps that are included with tips, or welded on for a smoother look.

PART	DESCRIPTION AND APPLICATION	LIST	SELL
48-4124	EXHAUST TIP-CHROME W/CLAMP 2-1/4" BLUNT TIP	18.69	14.95
48-4125	EXHAUST TIP-CHROME W/CLAMP 2-1/4" ANGLE TIP	18.69	14.95
48-4126	EXHAUST TIP-CHROME W/CLAMP 2-1/2" BLUNT TIP	18.69	14.95
48-4127	EXHAUST TIP-CHROME W/CLAMP 2-1/2" ANGLE TIP	18.69	14.95

**Stainless Steel Exhaust Tips**



Blunt Tip

Angle Tip

Made from 16-gauge 304 grade stainless steel for longer life. They are 15" long with 3-1/2" diameter outlets.

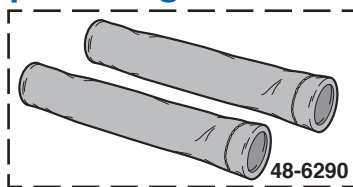


40-0983

Two inlet sizes are available; 2-1/4" made to fit 2-1/4" outer diameter exhaust pipes and 2-1/2" made to fit 2-1/2" outer diameter exhaust pipes. Exhaust Tips can be welded on for a smooth fit, or clamped on with #40-0983 or #40-0984 Stainless Steel Exhaust Clamps. Clamps are not included with tips and must be purchased separately.

PART	DESCRIPTION AND APPLICATION	REQD	LIST	SELL
48-4120	EXHAUST TIP-STAINLESS STEEL 2-1/4" BLUNT TIP	49.94	39.95	
48-4121	EXHAUST TIP-STAINLESS STEEL 2-1/4" ANGLE TIP	49.94	39.95	
40-0983	CLAMP-STAINLESS STEEL 2-1/4"	14.94	11.95	
48-4122	EXHAUST TIP-STAINLESS STEEL 2-1/2" BLUNT TIP	49.94	39.95	
48-4123	EXHAUST TIP-STAINLESS STEEL 2-1/2" ANGLE TIP	49.94	39.95	
40-0984	CLAMP-STAINLESS STEEL 2-1/2"	14.94	11.95	

**Thermal Spark Plug Boot Sleeve Set**

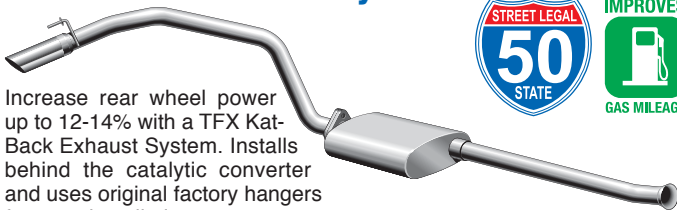


48-6290

Thermal Spark Plug Boot Sleeves provide unmatched thermal protection against hot exhaust headers. Double-layer gray fiberglass sleeves are non-conductive and can directly contact hot surfaces without any harmful effects. Chemically-resistant 3/4" diameter braided sleeves easily slip over any spark plug wire and boot configuration to protect from exhaust temperatures up to 1200°F. Available as a two-piece set. Call or go online and order yours today!

PART	DESCRIPTION AND APPLICATION	REQD	LIST	SELL
48-6290	SPARK PLUG BOOT SLEEVE SET	A/R	21.19	16.95

**TFX Performance Kat-Back Exhaust System**



50-1905

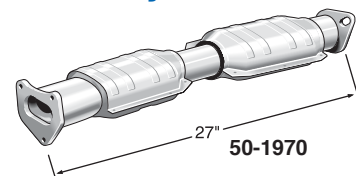
Increase rear wheel power up to 12-14% with a TFX Kat-Back Exhaust System. Installs behind the catalytic converter and uses original factory hangers for easy installation.

- Mandrel-bent for maximum flow efficiency.
- 16-gauge aluminized tubing.
- Chrome-plated T304 stainless steel tips included.
- Ready to install, nothing else to buy.
- 50 State Legal.



50-1905	TFX EXHAUST SYSTEM	4DR EXPLORER 91-92 (1)	374.94	299.95
---------	--------------------	------------------------	--------	--------

**Replacement Catalytic Converter**



50-1970

In August 1986 the U.S. Environmental Protection Agency issued strict new guidelines regulating aftermarket Catalytic Converters. Our Replacement Catalytic Converters are designed and manufactured to meet EPA emission requirements. With many states getting more stringent with their emission testing, we are pleased to be able to offer you a reasonably priced, proven and tested product that is legal for road use in 49 states and Canada. Replacement converters are not legal for sale or use in California. Limited Manufacturer's Warranty.

50-1970	CATALYTIC CONVERTER	3.0L 4.0L EXPLORER 91-94 (1)	362.44	289.95
---------	---------------------	------------------------------	--------	--------



## Mile Marker Hubs

### Explorer 1991-94

If you need to replace your hubs or just want the extra benefits of a premium product then choose superior quality Mile Marker Hubs. Each hub is built to exacting standards with improvements over the latest patents. You can count on Mile Marker for years of trouble-free service. Limited Lifetime Warranty on Supreme Locking Hubs and 1 year warranty on Auto to Manual Hub Conversion Kit.



**Supreme Hub ...** The ultimate in style and service. Features the latest patented technology and decidedly smooth operation.

PART	DESCRIPTION AND APPLICATION	REQD	LIST	SELL
50-6512	LOCK HUB SET-SUPREME STNLSS "A" EXPLORER	91-94 (1)	237.44	189.95
50-6513	AUTO TO MANUAL CONVERSION KIT EXPLORER	91-94 (1)	74.94	59.95

Note: "A" Models with automatic locking front hubs require the use of auto to manual hub conversion kit #50-6513.

## WARN Locking Hubs

### Explorer 1991-94

For the ultimate in locking hub strength the name WARN says it all. Alloy housing and internal wave spring give positive engagement of four-wheel drive to the front end.



If you're tired of the old Ford hubs with springs and collars that are worn out, these make a quick and inexpensive replacement. Standard hubs with plastic dials.

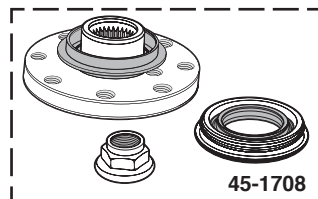
50-6530	WARN LOCKING HUB SET-STANDARD"A" EXPLORER	91-94 (1)	374.94	299.95
48-3921	AUTO TO MANUAL CONVERSION KIT EXPLORER	91-94 (1)	124.94	99.95

Note: "A" Models with automatic locking front hubs require the use of auto to manual hub conversion kit #48-3921.

## Pinion Flange Kit - 8.8" Ring Gear

### Explorer 1991-05

Kit includes pinion flange, oil seal and nut.



45-1708	PINION FLANGE KIT-8.8" RING GEAR EXPLORER	91-05 (1)	43.69	34.95
---------	---	-----------	-------	-------

## Chrome Rear Differential Cover

### Explorer 1991-01

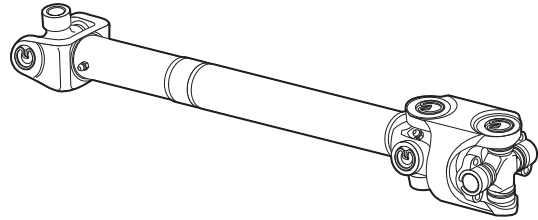


48-2042	REAR DIFFERENTIAL CVR-CHROME "A" EXPLORER	91-01 (1)	24.94	19.95
40-4031	GASKET-REAR DIFFERENTIAL "A" EXPLORER	91-01 (1)	7.44	5.95
40-0177	CHROME DIFFERENTIAL BOLT SET EXPLORER	91-01 (1)	16.19	12.95

Note: "A" Fits models equipped with 8.8" ring gear.

## Front Driveshaft - Remanufactured

### Explorer 1991-94

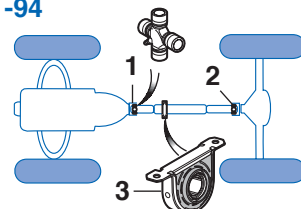


**Core Refund Information - Driveshaft Assembly:** A rebuildable core will have all pieces intact. No damaged or missing yokes or flanges. No scored or excessively bent shafts. If it does not meet the above standards, it is not rebuildable and will not be refunded. DO NOT send a non-rebuildable core.

PART	DESCRIPTION AND APPLICATION	REQD	LIST	SELL
50-6809-Z	DRIVESHAFT \$50 CORE EXPLORER	91-94 (1)	399.94	319.95

## Universal Joints - 2 Wheel Drive

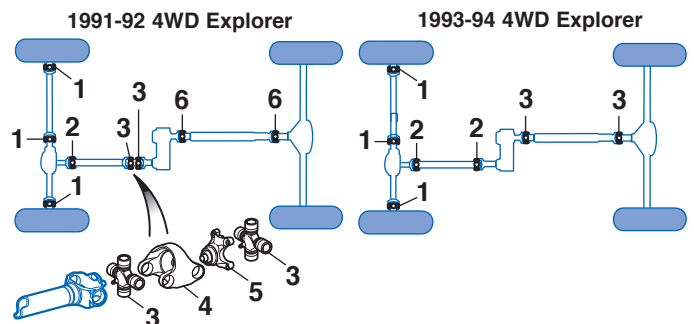
### Explorer 1991-94



PART	ILL#	DESCRIPTION AND APPLICATION	REQD	LIST	SELL
45-1610	(1)	U-JOINT 2WD EXPLORER	91-94 (1)	12.44	9.95
45-1610	(2)	U-JOINT 2WD EXPLORER	91-94 (1)	12.44	9.95
50-6899	(3)	DRIVESHAFT BEARING 2WD EXPLORER	91-94 (1)	24.94	19.95

## Universal Joints - 4 Wheel Drive

### Explorer 1991-94

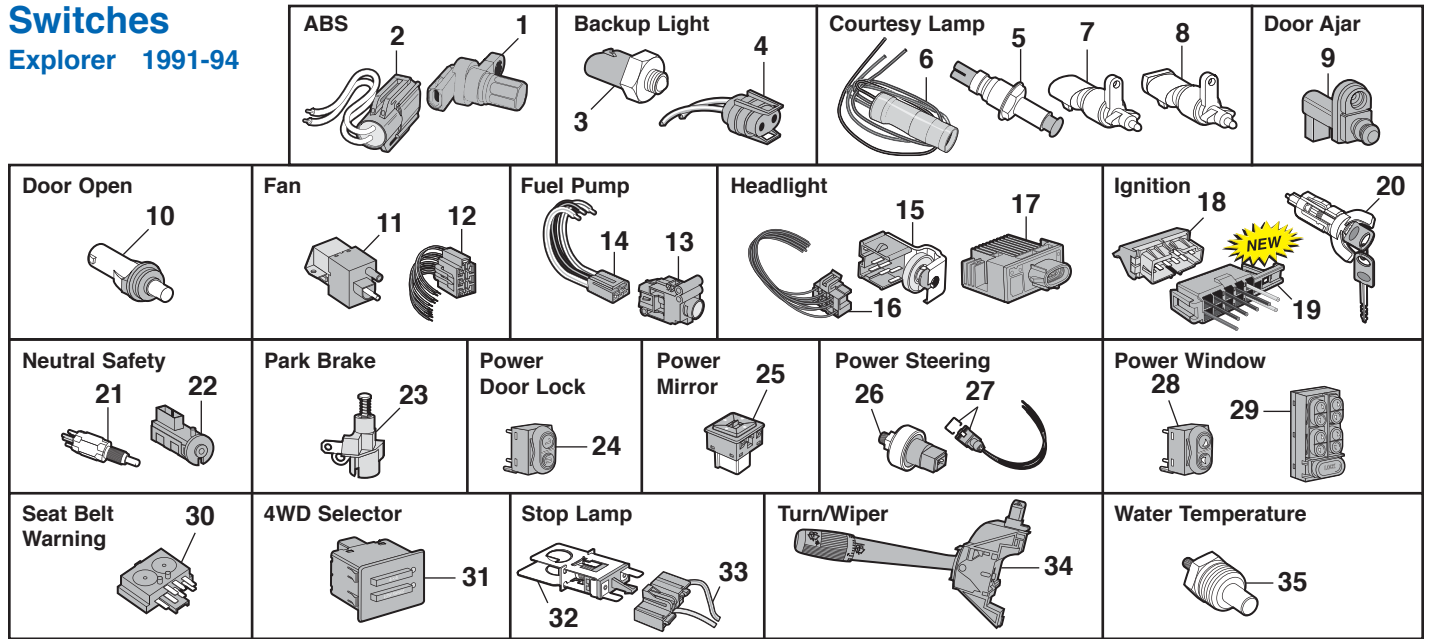


PART	ILL#	DESCRIPTION AND APPLICATION	REQD	LIST	SELL
45-1630	(1)	AXLE JOINT "A" EXPLORER	91-92 (3)	12.44	9.95
50-6897		AXLE JOINT "B" EXPLORER	91-92 (3)	12.44	9.95
45-1610	(2)	U-JOINT EXPLORER	91-92 (1)	12.44	9.95
45-1628	(3)	U-JOINT EXPLORER	91-92 (2)	12.44	9.95
45-1695	(4)	H-YOKE-FRONT EXPLORER	91-92 (1)	74.94	59.95
45-1700	(5)	CENTER YOKE-FRONT EXPLORER	91-92 (1)	99.94	79.95
45-1610	(6)	U-JOINT "C" EXPLORER	91-92 (2)	12.44	9.95
45-1632		U-JOINT "D" EXPLORER	91-92 (2)	12.44	9.95
45-1630	(1)	AXLE JOINT "A" EXPLORER	93-94 (3)	12.44	9.95
50-6897		AXLE JOINT "B" EXPLORER	93-94 (3)	12.44	9.95
45-1610	(2)	U-JOINT EXPLORER	93-94 (2)	12.44	9.95
45-1610	(3)	U-JOINT "C" EXPLORER	93-94 (2)	12.44	9.95
45-1632		U-JOINT "D" EXPLORER	93-94 (2)	12.44	9.95

Note: "A" For models with 3.27, 3.55 or 3.73 axle ratio.  
 "B" For models with 3.45 or 4.10 axle ratio.  
 "C" Without 4 door and with manual transmission.  
 "D" With 4 door and with manual transmission.

Switches

Explorer 1991-94



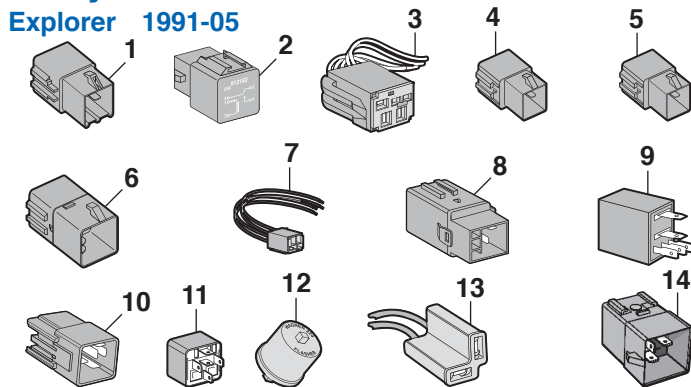
PART	ILL#	DESCRIPTION AND APPLICATION	REQD	LIST	SELL
47-0554	(1)	ABS SPEED SENSOR-ON AXLE EXPLORER	91-94 (1)	37.44	29.95
47-1369	(2)	SOCKET-ABS SENSOR EXPLORER	91-94 (1)	12.44	9.95
47-0862	(3)	BACKUP LIGHT MT 5SPD EXPLORER	91-94 (1)	18.69	14.95
47-0901	(4)	SOCKET-LIGHT MT 5SPD EXPLORER	91-94 (1)	4.94	3.95
47-0619	(5)	COURTESY LAMP "A" EXPLORER	91-94 A/R	11.19	8.95
47-0626	(6)	SOCKET-COURTESY LAMP "A" EXPLORER	91-94 A/R	9.94	7.95
50-8005	(7)	COURTESY LAMP-LIFTGATE EXPLORER	91-92 (1)	14.94	11.95
50-8007	(8)	COURTESY LAMP-LIFTGATE EXPLORER	93-94 (1)	18.69	14.95
50-8006	(9)	DOOR AJAR-LIFTGATE EXPLORER	93-94 (1)	24.94	19.95
50-8110	(10)	DOOR OPEN WARNING "A" EXPLORER	91-94 A/R	16.19	12.95
50-8128	(11)	FAN SWITCH W/AC EXPLORER	91-94 (1)	99.94	79.95
50-8129	(12)	SOCKET-FAN SWITCH W/AC EXPLORER	91-94 (1)	12.44	9.95
47-0858	(13)	FUEL PUMP SHUTOFF SWITCH EXPLORER	91-94 (1)	81.19	64.95
47-0766	(14)	SOCKET-FUEL SHUTOFF EXPLORER	91-94 (1)	6.19	4.95
50-8131	(15)	HEADLIGHT SWITCH "B" EXPLORER	91-94 (1)	24.94	19.95
47-0768	(16)	SOCKET-HEADLIGHT SWITCH "B" EXPLORER	91-94 (1)	7.44	5.95
47-0348	(17)	MODULE-DAY RUNNING LIGHTS EXPLORER	91-94 (1)	87.44	69.95
47-0729	(18)	IGNITION SWITCH EXPLORER	91-94 (1)	18.69	14.95
47-0859	(19)	SOCKET-IGNITION SWITCH EXPLORER	91-94 (1)	6.19	4.95
50-8161	(20)	IGNITION CYLINDER W/KEYS EXPLORER	91-94 (1)	37.44	29.95
47-0872	(21)	NEUTRAL SAFETY SWITCH "C" EXPLORER	91-94 (1)	56.19	44.95
50-8173	(21)	NEUTRAL SAFETY SWITCH "D" EXPLORER	91-94 (1)	74.94	59.95
50-8171	(22)	NEUTRAL SAFETY SWITCH-MT EXPLORER	91-94 (1)	49.94	39.95
50-8155	(23)	PARK BRAKE RELEASE SWITCH EXPLORER	91-94 (1)	18.69	14.95
50-8164	(24)	PWR DOOR LOCK SWITCH-LH "A" EXPLORER	91-94 A/R	37.44	29.95
47-0624	(24)	PWR DOOR LOCK SWITCH-RH "A" EXPLORER	91-94 A/R	43.69	34.95
50-8163	(25)	POWER MIRROR SWITCH-LH EXPLORER	91-94 (1)	124.94	99.95
50-8180	(26)	POWER STEERING PRESSURE EXPLORER	91-94 (1)	37.44	29.95
47-3050	(27)	SOCKET-PRESSURE SWITCH EXPLORER	91-94 (1)	8.69	6.95
47-0825	(28)	POWER WINDOW SWITCH "A" EXPLORER	91-94 A/R	14.94	11.95
47-0828	(29)	POWER WINDOW SWITCH-LH 4DR EXPLORER	91-94 (1)	37.44	29.95
50-8185	(30)	SEAT BELT WARNING SWITCH "E" EXPLORER	91-94 (1)	87.44	69.95
50-7084	(31)	4WD SELECTOR SWITCH EXPLORER	91-94 (1)	324.94	259.95
50-8188	(32)	STOP LAMP SWITCH EXPLORER	91-94 (1)	11.19	8.95
47-3599	(33)	SOCKET-STOP LAMP SWITCH EXPLORER	91-94 (1)	3.69	2.95
50-8192	(34)	TURN/WIPER EXPLORER	91-94 (1)	162.44	129.95
47-0807	(35)	WATER TEMP SWITCH W/GAUGE EXPLORER	91-94 (1)	12.44	9.95

Note: "A" For front and rear doors.  
"B" Without premium edition mirror.

Note: "C" With C3 transmission and 2WD models with A4LD transmission; includes backup light switch.  
"D" 4WD models with A4LD transmission.  
"E" Fits models with chimes warning.

Relays and Flashers

Explorer 1991-05



PART	ILL#	DESCRIPTION AND APPLICATION	REQD	LIST	SELL
50-2840	(1)	A/C RELAY EXPLORER	91-94 (1)	43.69	34.95
50-8139	(2)	ECM/EEC RELAY EXPLORER	91-92 (1)	18.69	14.95
50-8151	(3)	SOCKET-ECM/EEC RELAY EXPLORER	91-92 (1)	4.94	3.95
50-8141	(4)	FUEL PUMP RELAY EXPLORER	91-92 (1)	14.94	11.95
50-8142	(5)	HEADLIGHT RELAY EXPLORER	91-92 (1)	24.94	19.95
50-8140	(6)	HORN RELAY EXPLORER	91-94 (1)	12.44	9.95
50-8640	(7)	SOCKET-HORN RELAY EXPLORER	91-94 (1)	24.94	19.95
50-8144	(8)	OIL LEVEL RELAY EXPLORER	91-94 (1)	81.19	64.95
47-0745	(9)	RELAY-BLACK 5 TERMINAL 20 AMP EXPLORER	91-94 A/R	18.69	14.95
50-8143	(10)	RELAY-BLACK 5 TERMINAL 30 AMP EXPLORER	91-94 A/R	21.19	16.95
47-0743	(11)	RELAY-BLACK 5 TERMINAL 40 AMP EXPLORER	93-94 A/R	12.44	9.95
47-0605	(12)	EMERGENCY FLASHER EXPLORER	91-94 (1)	4.94	3.95
47-0605	(12)	TURN SIGNAL FLASHER EXPLORER	91-94 (1)	4.94	3.95
47-0606	(13)	SOCKET-FLASHER EXPLORER	91-94 (1)	7.44	5.95
50-8137	(14)	FLASHER EXPLORER	95-05 (1)	27.44	21.95

## Switches and Sensors Explorer 1995-01



Part No.	Description	Model	Year	Qty	Price	Part No.	Description	Model	Year	Qty	Price		
47-0554	(1) ABS SPEED SENSOR-ON AXLE	EXPLORER	95-01	(1)	37.44	50-8162	(21) MIRROR SWITCH	EXPLORER	95-01	(1)	49.94	39.95	
47-1369	(2) SOCKET-ABS SENSOR	EXPLORER	95-01	(1)	12.44	47-0944	(22) OIL PRESSURE SWITCH	EXPLORER	99-01	(1)	18.69	14.95	
47-0918	(3) AMBIENT AIR TEMP SENSOR	EXPLORER	95-01	(1)	49.94	50-8147	(23) OVERDRIVE SHIFT BUTTON	EXPLORER	95-01	(1)	21.19	16.95	
47-0862	(4) BACKUP LIGHT-MANUAL TRANS	EXPLORER	95-01	(1)	18.69	50-8149	(24) SHIFT BUTTON CAP	EXPLORER	95-01	(1)	18.69	14.95	
47-0901	(5) SOCKET-BACKUP SWITCH	EXPLORER	95-01	(1)	4.94	3.95	50-8180	(25) POWER STEERING PRESSURE	EXPLORER	95-01	(1)	37.44	29.95
50-8007	(6) COURTESY LIGHT-LIFTGATE	EXPLORER	95-01	(1)	18.69	47-3050	(26) SOCKET-PRESSURE SWITCH	EXPLORER	95-01	(1)	8.69	6.95	
50-8230	(7) DOOR LOCK SWITCH-LH	EXPLORER	95-01	(1)	68.69	47-0970	(27) SHIFTLock ACTUATOR-COLUMN	EXPLORER	95-01	(1)	68.69	54.95	
50-8231	DOOR LOCK SWITCH-RH	EXPLORER	95-98	(1)	68.69	54.95	50-8188	(28) STOP LAMP SWITCH	EXPLORER	95-97	(1)	11.19	8.95
50-8233	DOOR LOCK SWITCH-RH	EXPLORER	99-01	(1)	62.44	49.95	47-3599	(29) SOCKET-STOP LAMP SWITCH	EXPLORER	95-97	(1)	3.69	2.95
47-0779	(8) FAN SWITCH	W/A/C	EXPLORER	95-01	(1)	14.94	47-0648	(30) STOP LAMP SWITCH	EXPL	98-2/99	(1)	14.94	11.95
47-3608	(9) SOCKET-FAN SWITCH	W/A/C	EXPLORER	95-01	(1)	9.94	47-3613	(31) SOCKET-STOP LAMP SWITCH	EXPL	98-2/99	(1)	12.44	9.95
47-0858	(10) FUEL PUMP SHUTOFF SWITCH	EXPLORER	95-01	(1)	81.19	47-0897	(32) TRANS NEUTRAL SWITCH	EXPLORER	95-96	(1)	62.44	49.95	
47-0766	(11) SOCKET-FUEL SHUTOFF	EXPLORER	95-01	(1)	6.19	4.95	50-8193	(33) TURN SIGNAL/WIPER SWITCH	EXPLORER	95-01	(1)	99.94	79.95
50-8238	(12) HEADLIGHT SWITCH	EXPLORER	95-98	(1)	49.94	47-3595	(34) SOCKET-SWITCH	EXPLORER	95-01	(1)	12.44	9.95	
50-8239	HEADLIGHT SWITCH	EXPLORER	99-01	(1)	49.94	39.95	47-0808	(35) WATER TEMPERATURE SWITCH	EXPLORER	95-96	(1)	12.44	9.95
50-8240	(13) KNOB-HEADLIGHT SWITCH	EXPLORER	95-01	(1)	18.69	14.95	50-8255	(36) WINDOW SWITCH-FRONT-LH	2 DOOR	95-97	(2)	37.44	29.95
50-8241	(14) SOCKET-HEADLIGHT SWITCH	EXPLORER	95-01	(1)	12.44	9.95	50-8254	(37) WINDOW SWITCH-FRONT-LH	4 DOOR	95-97	(1)	124.94	99.95
47-0348	(15) MODULE-DAY RUNNING LIGHTS	EXPLORER	95-98	(1)	87.44	69.95	50-8255	(36) WINDOW SWITCH-FRONT-RH	EXPLORER	95-97	(1)	37.44	29.95
47-0349	(16) MODULE-DAY RUNNING LIGHTS	EXPLORER	99-01	(1)	112.44	89.95	50-8255	WINDOW SWITCH-REAR	4 DOOR	95-97	(2)	37.44	29.95
47-0717	(17) IGNITION CYLINDER W/KEYS	EXPLORER	95-96	(1)	74.94	59.95	50-8256	(38) WINDOW SWITCH-FRONT-LH	"A" 2 DOOR	98-00	(1)	81.19	64.95
47-0992	(18) IGNITION SWITCH	EXPLORER	95-97	(1)	31.19	24.95	50-8257	(39) WINDOW SWITCH-FRONT-LH	"B" 2 DOOR	98-00	(2)	81.19	64.95
47-0859	(19) SOCKET-IGNITION SWITCH	EXPLORER	95-97	(1)	6.19	4.95	50-8258	(40) WINDOW SWITCH-FRONT-LH	4 DOOR	98-01	(1)	124.94	99.95
47-0737	(20) IGNITION SWITCH	EXPLORER	98-01	(1)	24.94	19.95	50-8257	(39) WINDOW SWITCH-FRONT-RH	EXPLORER	98-01	(1)	81.19	64.95
							50-8257	WINDOW SWITCH-REAR	4 DOOR	98	(2)	81.19	64.95
							50-8259	WINDOW SWITCH-REAR	4 DOOR	99-01	(2)	74.94	59.95

Note: "A" For driver side window. "B" For passenger side window.

## Switches and Sensors Explorer 2002-05



Part No.	Description	Model	Year	Qty	Price	Part No.	Description	Model	Year	Qty	Price		
47-0918	(1) AMBIENT AIR TEMP SENSOR	EXPLORER	02-05	(1)	49.94	39.95	47-0944	(7) OIL PRESSURE SWITCH	EXPLORER	02-05	(1)	18.69	14.95
47-0004	(2) DOOR LOCK SWITCH-LH	EXPLORER	02-05	(1)	74.94	59.95	47-0910	(8) TURN SIGNAL/WIPER SWITCH		02-05/05	(1)	112.44	89.95
47-0005	DOOR LOCK SWITCH-RH	EXPLORER	02-05	(1)	62.44	49.95	47-0102	(9) POWER WINDOW SWITCH-LH	EXPLORER	02-03	(1)	149.94	119.95
50-8243	(3) HEADLIGHT SWITCH	"A" EXPLORER	02	(1)	162.44	129.95	47-0104	POWER WINDOW SWITCH-LH	EXPLORER	04-05	(1)	124.94	99.95
50-8244	HEADLIGHT SWITCH	"A" EXPLORER	03-04	(1)	112.44	89.95	47-0085	(10) POWER WINDOW SWITCH-RH	EXPLORER	02-05	(1)	24.94	19.95
50-8245	HEADLIGHT SWITCH	"A" EXPLORER	05	(1)	112.44	89.95	47-0085	POWER WINDOW SWITCH-REAR	EXPLORER	02-05	(2)	24.94	19.95
50-8246	HEADLIGHT SWITCH	"B" EXPLORER	02	(1)	124.94	99.95							
47-0075	HEADLIGHT SWITCH	"B" EXPLORER	03-05	(1)	124.94	99.95							
50-8247	HEADLIGHT SWITCH	"C" EXPLORER	02-05	(1)	124.94	99.95							
47-0076	HEADLIGHT SWITCH	"D" EXPLORER	02-05	(1)	112.44	89.95							
50-8174	(4) MIRROR SWITCH	EXPLORER	02-03	(1)	56.19	44.95							
47-0036	(5) MIRROR SWITCH	"E" EXPLORER	04-05	(1)	41.19	32.95							
47-0037	(6) MIRROR SWITCH	"F" EXPLORER	04-05	(1)	31.19	24.95							

Note: "A" For models without fog lights and without automatic headlights.  
 "B" For models without fog lights and with automatic headlights.  
 "C" For models with fog lights and without automatic headlights.  
 "D" For models with fog lights and with automatic headlights.  
 "E" For models with folding mirrors.  
 "F" For models without folding mirrors.

**Heated Windshield Washer Kit**



Heat your vehicle's windshield washer fluid to a temperature of 125-135°F and allow for quick, effortless removal of frost, snow and ice this winter. Heated washer fluid extends the service life of windshield wipers by minimizing unnecessary wear and ensures wiper spray nozzles remain clog-free for a consistent spray pattern every time.

47-4088 HEATED WINDSHIELD WASHER KIT (1) 124.94 99.95

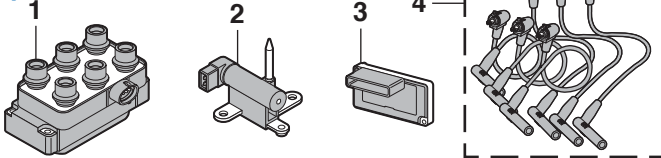
Suited for year-round use, the heated washer fluid also provides improved cleaning to remove bird droppings, bugs, grime, road film and streaks.

The Heated Windshield Washer Kit installs inline between the windshield washer reservoir and spray nozzles. The wiring connects directly to your vehicle's battery with the included ground cable and fused power cable. The unit begins operation when it senses battery voltage higher than 13.0 volts (engine running). The initial heating cycle takes approximately 30 seconds for the washer fluid to reach 125-135°F. Each time the driver activates the vehicle's factory installed windshield washer system, heated washer fluid is applied during the first 3 seconds of spray time to deliver a 50-60cc spray volume. Each additional 3-second spray of heated washer fluid is available for use within 10-20 seconds.

Order yours today and see what a difference the Heated Windshield Washer Kit can make! Kit includes mounting bracket, hardware and instructions.

**Ignition Components - Without Distributor**

**Explorer 1991-05**



50-8596	(1) IGNITION COIL	4.0L EXPLORER	91-05 (1)	112.44	89.95
50-8691	(2) CRANKSHAFT POS SENSOR	4.0L EXPLORER	91-97 (1)	62.44	49.95
50-8605	(3) IGNITION MODULE	4.0L EXPLORER	91-95 (1)	237.44	189.95
50-8665	(4) IGNITION WIRE SET	4.0L EXPLORER	91-96 (1)	37.44	29.95

**Spark Plug Wire Retainers**

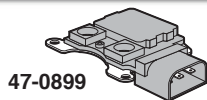
**Explorer 1991-01**



PART	ILL#	DESCRIPTION AND APPLICATION	REQD	LIST	SELL
50-1492	(1)	WIRE SEPARATOR 1 WIRE SNAP IN 4.0L	91-01 (1)	9.94	7.95
50-1493	(2)	WIRE SEPARATOR 2 WIRE SNAP IN 4.0L	91-01 (1)	7.44	5.95

**Voltage Regulator**

**Explorer 1991-01**



PART	DESCRIPTION AND APPLICATION	REQD	LIST	SELL
47-0899	VOLTAGE REGULATOR-INTERNAL EXPLORER	91-01 (1)	112.44	89.95

**Key Blank**

**Explorer 1991-00**

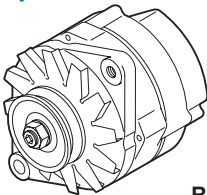


PART	DESCRIPTION AND APPLICATION	LIST	SELL
40-1315	KEY BLANK "A" EXPLORER	91-00	3.69 2.95

Note: "A" This is a non-programmable key for models without anti-theft system.

**Alternator**

**Explorer 1991-94**



**Core Refund Information - Alternator:** A rebuildable core will have no excessive wear. No damage due to force, fire, water, acid or corrosion. No disassembled cores. If it does not meet the above standards, it is not rebuildable and will not be refunded. DO NOT send a non-rebuildable core.

**Remanufactured Alternator**

50-8513-Z	ALTERNATOR 95 AMP \$40 CORE	4.0L EXPLORER	91-94 (1)	212.44	169.95
47-0134-Z	ALTERNATOR 130AMP \$45 CORE	4.0L EXPLORER	93-94 (1)	212.44	169.95

**High Amp Alternators**

Do you need more amperage to run today's modern accessories? These high amp alternators will give your SUV the charging power it needs. Direct replacement for your original alternator.

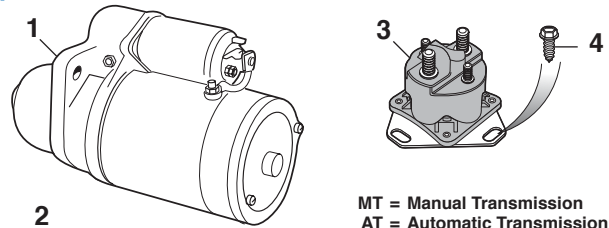
Features include high output with excellent idle performance; hand-wound, custom-designed stators; gold-plated battery post for better electrical connections; and "Proof of Performance" tag.

47-0137	ALTERNATOR 100AMP	"A" EXPLORER	91 (1)	237.44	189.95
47-0138	ALTERNATOR 100AMP	"B" EXPLORER	91 (1)	237.44	189.95
47-0141	ALTERNATOR 140AMP	"A" EXPLORER	91 (1)	324.94	259.95
47-0142	ALTERNATOR 140AMP	"B" EXPLORER	91 (1)	337.44	269.95
47-0146	ALTERNATOR 130AMP	"B" EXPLORER	91-94 (1)	374.94	299.95
47-0158	ALTERNATOR 200AMP	"B" EXPLORER	91-94 (1)	499.94	399.95

Note: "A" Includes V-belt pulley. "B" Includes serpentine belt pulley.

**Remanufactured Starter and Parts**

**Explorer 1991-01**



MT = Manual Transmission  
AT = Automatic Transmission



**Save Time** - Order this kit and receive all the parts you need for a starter repair.

**Save Money** - And do it yourself. Call or go online and order yours today.

Kit includes remanufactured starter drive, bushings, brushes, washers and snap ring.

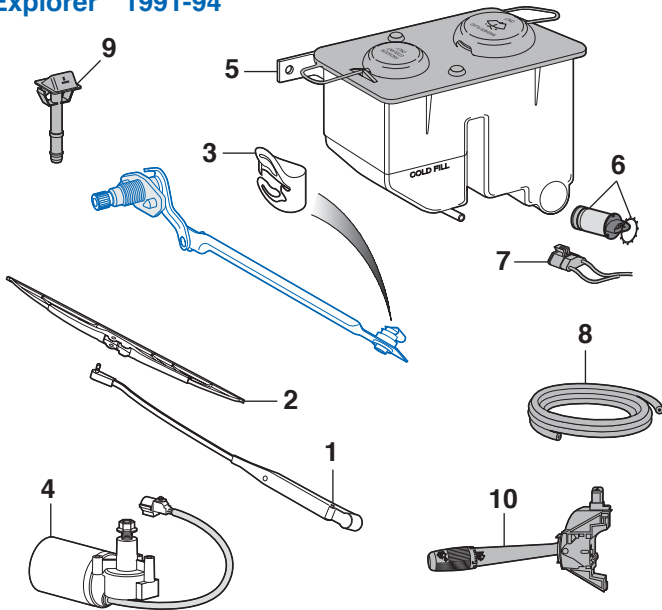
**Core Refund Information - Starter:** A rebuildable core will have no excessive wear. No damage due to force, fire, water, acid or corrosion. No disassembled cores. If it does not meet the above standards, it is not rebuildable and will not be refunded. DO NOT send a non-rebuildable core.

50-8565-Z	(1) STARTER W/AT	\$30 CORE EXPLORER	91-94 (1)	187.44	149.95
50-8566-Z	STARTER W/MT	\$30 CORE EXPLORER	91-94 (1)	187.44	149.95
50-4462	(2) STARTER REPAIR KIT		EXPLORER 91-94 (1)	49.94	39.95
47-0677	(3) STARTER SOLENOID		EXPLORER 91-01 (1)	18.69	14.95
40-0411	(4) SCREW		EXPLORER 91-01 (1)	.69	.55



## Windshield Wiper Components

Explorer 1991-94

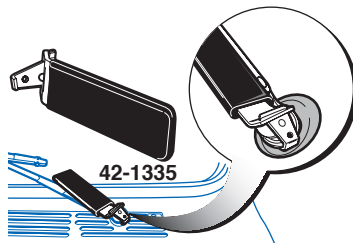


PART	ILL#	DESCRIPTION AND APPLICATION	REQD	LIST	SELL
50-8011	(1)	WIPER ARM EXPLORER	91-94 (2)	37.44	29.95
47-3998	(2)	WIPER BLADE EXPLORER	91-94 (2)	12.44	9.95
50-8025	(3)	PIVOT ARM CLIP EXPLORER	91-94 (1)	21.19	16.95
50-8050	(4)	WIPER MOTOR EXPLORER	91-94 (1)	212.44	169.95
50-8072	(5)	WASHER/COOLANT RESERVOIR EXPLORER	91-94 (1)	74.94	59.95
47-4082	(6)	WASHER PUMP EXPLORER	91-94 (1)	33.69	26.95
47-3051	(7)	SOCKET-WASHER PUMP EXPLORER	91-94 (1)	6.19	4.95
43-0185	(8)	WASHER HOSE 5 FEET EXPLORER	91-94 (1)	3.69	2.95
50-8031	(9)	SPRAY NOZZLE EXPLORER	91-94 (2)	9.94	7.95
50-8192	(10)	SWITCH-TURN/WIPER EXPLORER	91-94 (1)	162.44	129.95

## Wiper Arm Tool

Wiper Arm Tool provides the leverage you need to safely remove and install wiper arms without damaging your vehicle.

**Tech Tip:** Make sure all locking pins or retaining nuts have been removed before using the Wiper Arm Tool.



PART	DESCRIPTION AND APPLICATION	REQD	LIST	SELL
42-1335	WIPER ARM TOOL	(1)	7.44	5.95

## Universal Windshield Washer Pump

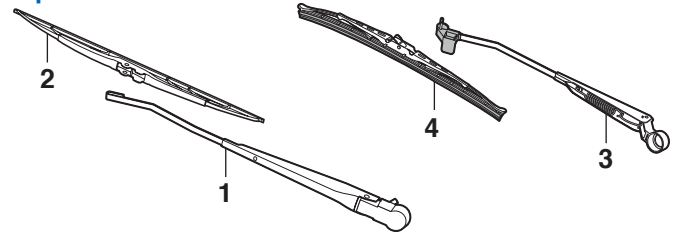
This Universal Windshield Washer Pump adapts to any 12 volt vehicle. It installs in minutes with simple household tools. It is a gear driven positive replacement pump that ensures a constant spray under all conditions. All necessary parts and instructions are included with pump.



PART	DESCRIPTION AND APPLICATION	REQD	LIST	SELL
47-4085	UNIVERSAL WASHER PUMP EXPLORER	91-94 (1)	24.94	19.95

## Windshield Wiper

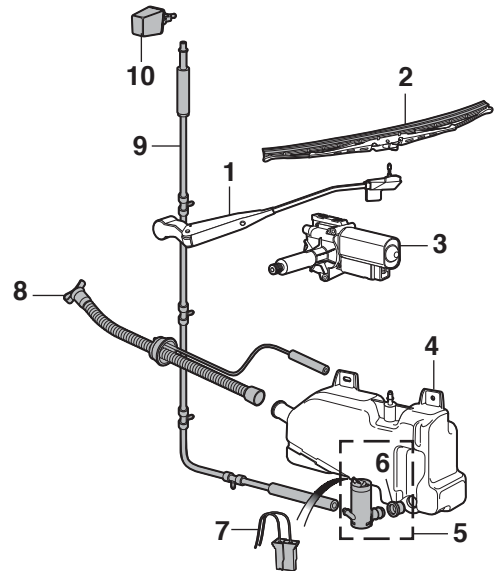
Explorer 1995-05



PART	ILL#	DESCRIPTION AND APPLICATION	REQD	LIST	SELL
50-8001	(1)	WIPER ARM-FRONT EXPLORER	95-97 (2)	24.94	19.95
50-8002		WIPER ARM-FRONT EXPLORER	98-01 (2)	43.69	34.95
50-8008		WIPER ARM-FRONT-LH EXPLORER	02-05 (1)	37.44	29.95
50-8009		WIPER ARM-FRONT-RH EXPLORER	02-05 (1)	37.44	29.95
47-3998	(2)	WIPER BLADE-FRONT EXPLORER	95-01 (2)	12.44	9.95
47-3993		WIPER BLADE-FRONT EXPLORER	02-05 (2)	12.44	9.95
50-8013	(3)	WIPER ARM-REAR EXPLORER	95-97 (1)	24.94	19.95
50-8014		WIPER ARM-REAR EXPLORER	98-01 (1)	37.44	29.95
50-8015		WIPER ARM-REAR EXPLORER	02-05 (1)	37.44	29.95
50-8021	(4)	WIPER BLADE-REAR EXPLORER	95-97 (1)	12.44	9.95
47-3996		WIPER BLADE-REAR EXPLORER	98-01 (1)	12.44	9.95
47-3993		WIPER BLADE-REAR EXPLORER	02-05 (1)	12.44	9.95

## Rear Window Wiper Components

Explorer 1991-94



**Core Refund Information - Wiper Motors:** A rebuildable core will have no excessive wear. No broken, burned, damaged or disassembled units. No stripped, rusted, corroded or water damaged units. If it does not meet the above standards, it is not rebuildable and will not be refunded. DO NOT send a non-rebuildable core.

PART	ILL#	DESCRIPTION AND APPLICATION	REQD	LIST	SELL
50-8012	(1)	WIPER ARM 5/8" SPLINE EXPLORER	91-93 (1)	24.94	19.95
50-8013		WIPER ARM 1" SPLINE EXPLORER	92-94 (1)	24.94	19.95
50-8021	(2)	WIPER BLADE EXPLORER	91-94 (1)	12.44	9.95
50-8056-Z	(3)	WIPER MOTOR 5/8" SPLINE \$20 CORE EXPLORER	91-93 (1)	149.94	119.95
50-8057-Z		WIPER MOTOR 1" SPLINE \$20 CORE EXPLORER	92-94 (1)	149.94	119.95
50-8080	(4)	WASHER RESERVOIR EXPLORER	91-94 (1)	49.94	39.95
50-8062	(5)	WASHER PUMP EXPLORER	91-94 (1)	31.19	24.95
50-8069	(6)	GROMMET-WASHER PUMP EXPLORER	91-94 (1)	6.19	4.95
50-8063	(7)	SOCKET-WASHER PUMP EXPLORER	91-94 (1)	8.69	6.95
50-8084	(8)	WASHER FILLER & CAP EXPLORER	91-94 (1)	49.94	39.95
50-8085	(9)	WASHER HOSE EXPLORER	91-94 (1)	31.19	24.95
50-8035	(10)	WASHER NOZZLE EXPLORER	91-94 (1)	12.44	9.95

Universal Windshield Washer Kit



- The kit includes:
- 1 Washer bottle with attached cap
  - 1 Washer pump
  - 7-1/2 feet of washer hose
  - Push-button switch with wire harness
  - Washer nozzles
  - T-connector
  - Mounting brackets with hardware

47-4087

This Universal Windshield Washer Kit includes everything you need to replace your worn or broken windshield washer system and will adapt to any 12V vehicle.

The washer bottle holds 1.5L of washer fluid. Fluid levels can easily be read without removing the cap.

PART	DESCRIPTION AND APPLICATION	REQD	LIST	SELL
47-4087	UNIVERSAL WINDSHIELD WASHER KIT "A"	(1)	24.94	19.95

Note: "A" For front windshield only.

Wiper Delay Switch



47-4086

When it is sprinkling or drizzling outside, there is no need for your windshield wipers to work constantly. That's why you need a Wiper Delay Switch. Stop the annoying sound of your wiper blades scraping across your windshield. Buy this Wiper Delay Switch today and rid yourself of that annoying sound.

47-4086	WIPER DELAY SWITCH		124.94	99.95
---------	--------------------	--	--------	-------

Headlight Warning Buzzer



47-3627

Have you ever drained your battery because you left your headlights on? This handy little Headlight Warning Buzzer will make sure that never happens again. If your truck was never equipped with a warning buzzer or you cannot find a replacement for your original, this Headlight Warning Buzzer will do the job. Connects right to your fuse box and works with both glass and blade-type fuses. Easy-to-use instructions included.

cannot find a replacement for your original, this Headlight Warning Buzzer will do the job. Connects right to your fuse box and works with both glass and blade-type fuses. Easy-to-use instructions included.

47-3627	HEADLIGHT WARNING BUZZER		12.44	9.95
---------	--------------------------	--	-------	------

Wiring/Tubing Grommet Assortment



40-1121

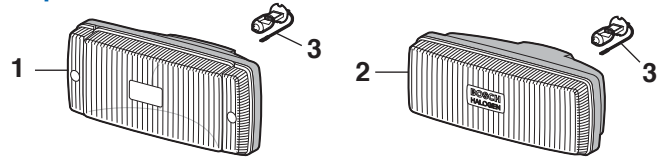
This 10-piece assortment of high-quality black rubber grommets will protect wires and tubing from chafing when passing through holes in sheet metal. This assortment contains: one each of 1/8", 3/8", 1/2", 5/8" I.D. and two each of 3/16", 1/4" and 5/16" I.D. grommets.

40-1121	WIRING/TUBING GROMMET ASSORTMENT	A/R	6.19	4.95
---------	----------------------------------	-----	------	------

Fog Light

Explorer 1991-94

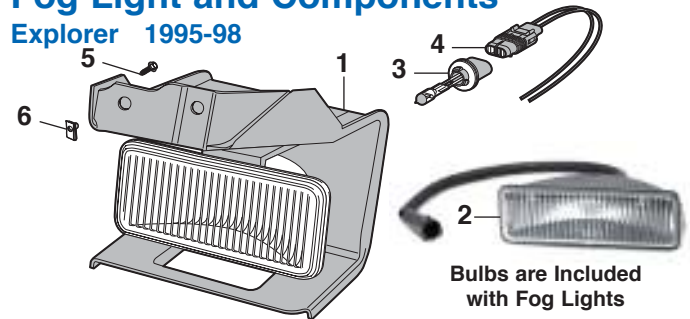
Custom Bulbs See Page 46



47-4741	(1) FOG LIGHT-BUMPER-CLEAR	EXPLORER 91-94 (2)	74.94	59.95
50-8444	(2) FOG LIGHT-VALANCE-CLEAR	EXPLORER 91-94 (2)	49.94	39.95
42-1514	(3) BULB-WHITE	EXPLORER 91-94 (2)	6.19	4.95
42-1509	BULB-BLUE	EXPLORER 91-94 (2)	16.19	12.95
42-1517	SUPERWHITE BULB SET	EXPLORER 91-94 (1)	37.44	29.95

Fog Light and Components

Explorer 1995-98



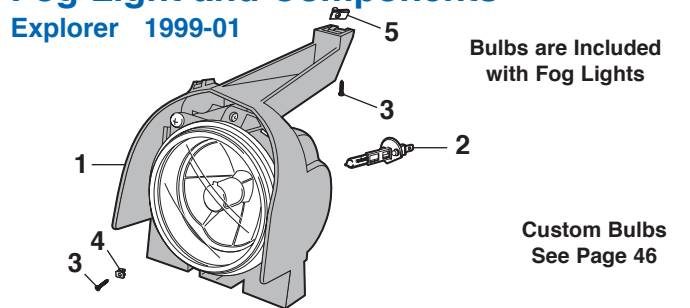
Bulbs are Included with Fog Lights

50-8450	(1) FOG LIGHT ASSEMBLY-LH	"A" EXPLORER 95-98 (1)	62.44	49.95
50-8451	FOG LIGHT ASSEMBLY-RH	"A" EXPLORER 95-98 (1)	62.44	49.95
50-8405	(2) FOG LIGHT ASSEMBLY LIMITED	EXPLORER 95-98 (2)	74.94	59.95
47-0264	(3) BULB CLEAR	EXPLORER 95-98 (2)	12.44	9.95
47-0284	(4) SOCKET	EXPLORER 95-98 (2)	24.94	19.95
40-0277	(5) BOLT	"A" EXPLORER 95-98 (4)	1.19	.95
40-0888	(6) NUT	"A" EXPLORER 95-98 (4)	1.19	.95

Note: "A" Models without Limited Package.

Fog Light and Components

Explorer 1999-01



Bulbs are Included with Fog Lights

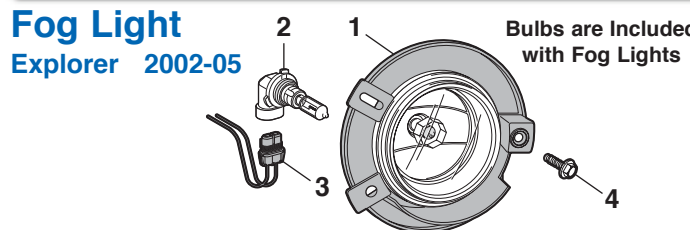
Custom Bulbs See Page 46

50-8452	(1) FOG LIGHT ASSEMBLY-LH	EXPLORER 99-01 (1)	62.44	49.95
50-8453	FOG LIGHT ASSEMBLY-RH	EXPLORER 99-01 (1)	62.44	49.95
47-0261	(2) BULB CLEAR	EXPLORER 99-01 (2)	8.69	6.95
47-0266	BULB BLUE	EXPLORER 99-01 (2)	16.19	12.95
47-0294	SUPERWHITE BULB SET	EXPLORER 99-01 (1)	37.44	29.95
50-0454	(3) SCREW	EXPLORER 99-01 (6)	.38	.30
40-0783	(4) NUT	EXPLORER 99-01 (4)	.75	.60
40-0940	(5) U-NUT	EXPLORER 99-01 (2)	1.19	.95

Fog Light

Explorer 2002-05

Bulbs are Included with Fog Lights

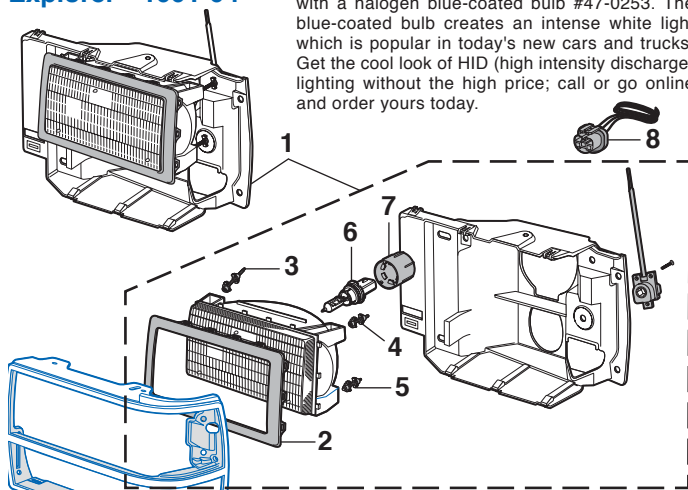


50-8454	(1) FOG LIGHT ASSEMBLY-LH	EXPLORER 02-05 (1)	62.44	49.95
50-8455	FOG LIGHT ASSEMBLY-RH	EXPLORER 02-05 (1)	62.44	49.95
47-0276	(2) BULB-CLEAR	EXPLORER 02-05 (2)	12.44	9.95
50-8279	(3) SOCKET	EXPLORER 02-05 (2)	3.69	2.95
50-0423	(4) SCREW	EXPLORER 02-05 (6)	2.44	1.95

## Headlight and Components

Explorer 1991-94

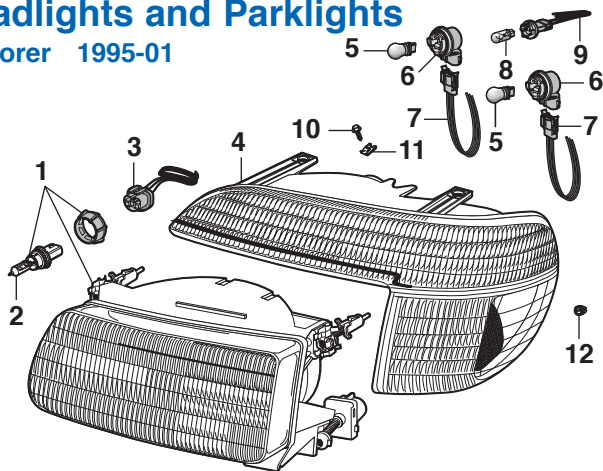
For added style, replace the white halogen bulb with a halogen blue-coated bulb #47-0253. The blue-coated bulb creates an intense white light which is popular in today's new cars and trucks. Get the cool look of HID (high intensity discharge) lighting without the high price; call or go online and order yours today.



PART	ILL#	DESCRIPTION AND APPLICATION	REQD	LIST	SELL
50-8412	(1)	HEADLIGHT ASSY-HALOGEN-LH	EXPLORER 91-94 (1)	99.94	79.95
50-8413		HEADLIGHT ASSY-HALOGEN-RH	EXPLORER 91-94 (1)	99.94	79.95
50-8282	(2)	HEADLIGHT RETAINER-LH	EXPLORER 91-94 (1)	6.19	4.95
50-8283		HEADLIGHT RETAINER-RH	EXPLORER 91-94 (1)	6.19	4.95
50-8287	(3)	ADJUSTER ASSY-UPPER INNER	EXPLORER 91-94 (2)	2.44	1.95
50-8288	(4)	ADJUSTER ASSY-UPPER OUTER	EXPLORER 91-94 (2)	2.44	1.95
50-8289	(5)	ADJUSTER ASSY-LOWER	EXPLORER 91-94 (2)	2.44	1.95
50-8210	(6)	BULB-HEADLIGHT-WHITE	EXPLORER 91-94 (2)	8.69	6.95
47-0253		BULB-HEADLIGHT-BLUE	EXPLORER 91-94 (2)	16.19	12.95
40-0972	(7)	RETAINER-HEADLIGHT BULB	EXPLORER 91-94 (2)	6.19	4.95
47-0260	(8)	SOCKET-HEADLIGHT	EXPLORER 91-94 (2)	4.94	3.95

## Headlights and Parklights

Explorer 1995-01



PART	ILL#	DESCRIPTION AND APPLICATION	REQD	LIST	SELL
50-8434	(1)	HEADLIGHT ASSEMBLY-LH	EXPLORER 95-01 (1)	74.94	59.95
50-8435		HEADLIGHT ASSEMBLY-RH	EXPLORER 95-01 (1)	74.94	59.95
47-0246	(2)	BULB-HEADLIGHT WHITE	EXPLORER 95-01 (2)	12.44	9.95
47-0257		BULB-HEADLIGHT BLUE	EXPLORER 95-01 (2)	16.19	12.95
47-0278		SUPERWHITE BULB SET	EXPLORER 95-01 (1)	37.44	29.95
47-0260	(3)	SOCKET ASSEMBLY	EXPLORER 95-01 (2)	4.94	3.95
50-8436	(4)	PARKLIGHT-LH	EXPLORER 95-01 (1)	49.94	39.95
50-8437		PARKLIGHT-RH	EXPLORER 95-01 (1)	49.94	39.95
47-0212	(5)	BULB-PARKLIGHT AMBER	EXPLORER 95-01 (4)	2.44	1.95
50-8206	(6)	SOCKET-PARKLIGHT BULB	EXPLORER 95-01 (4)	12.44	9.95
50-8271	(7)	SOCKET-PARKLIGHT	EXPLORER 95-01 (4)	8.69	6.95
47-0244	(8)	BULB-SIDEMARKER AMBER	EXPLORER 95-01 (2)	2.44	1.95
47-0412	(9)	SOCKET-SIDEMARKER BULB	EXPLORER 95-01 (2)	4.94	3.95
50-0309	(10)	SCREW	EXPLORER 95-01 (4)	.81	.65
40-0796	(11)	U-NUT	EXPLORER 95-01 (4)	.56	.45
50-0512	(12)	RETAINER	EXPLORER 95-01 (6)	.56	.45

## Custom Light Bulbs

See Page 46

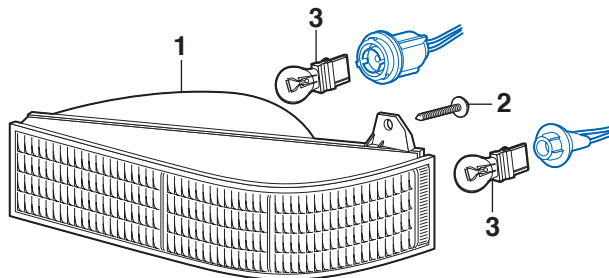


Superwhite and Blue-Coated Headlight Bulbs

Custom Bulbs

## Parklight and Components

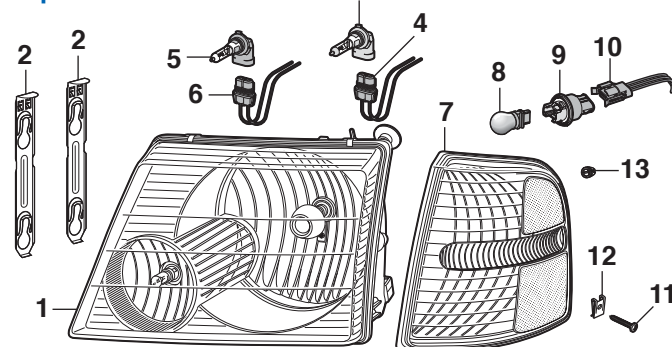
Explorer 1991-94



PART	ILL#	DESCRIPTION AND APPLICATION	REQD	LIST	SELL
50-8422	(1)	PARKLIGHT-LH-AMBER	EXPLORER 91-94 (1)	24.94	19.95
50-8423		PARKLIGHT-RH-AMBER	EXPLORER 91-94 (1)	24.94	19.95
50-0312	(2)	SCREW	EXPLORER 91-94 (4)	.56	.45
50-8200	(3)	BULB-CLEAR	EXPLORER 91-94 (4)	1.19	.95

## Headlights and Parklights

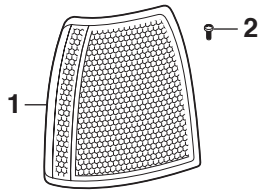
Explorer 2002-05



PART	ILL#	DESCRIPTION AND APPLICATION	REQD	LIST	SELL
50-8400	(1)	HEADLIGHT ASSY-LH W/BULBS	EXPLORER 02-05 (1)	187.44	149.95
50-8401		HEADLIGHT ASSY-RH W/BULBS	EXPLORER 02-05 (1)	187.44	149.95
50-8222	(2)	HEADLIGHT RETAINER	EXPLORER 02-05 (4)	12.44	9.95
47-0275	(3)	BULB-LOW BEAM-WHITE	EXPLORER 02-05 (2)	11.19	8.95
47-0279		BULB-LOW BEAM-BLUE	EXPLORER 02-05 (2)	16.19	12.95
47-0299		SUPERWHITE SET-LOW BEAM	EXPLORER 02-05 (1)	37.44	29.95
50-8278	(4)	BULB SOCKET-LOW BEAM	EXPLORER 02-05 (2)	3.69	2.95
47-0225	(5)	BULB-HIGH BEAM-WHITE	EXPLORER 02-05 (2)	12.44	9.95
47-0228		BULB-HIGH BEAM-BLUE	EXPLORER 02-05 (2)	16.19	12.95
47-0298		SUPERWHITE SET-HIGH BEAM	EXPLORER 02-05 (1)	37.44	29.95
50-8279	(6)	BULB SOCKET-HIGH BEAM	EXPLORER 02-05 (2)	3.69	2.95
50-8446	(7)	PARKLIGHT ASSY-LH CLR/AMBER	EXPLORER 02-2/04(1)	43.69	34.95
50-8447		PARKLIGHT ASSY-RH CLR/AMBER	EXPLORER 02-2/04(1)	43.69	34.95
50-8448		PARKLIGHT ASSY-LH CLR/AMBER	EXPLORER 3/04-05(1)	31.19	24.95
50-8449		PARKLIGHT ASSY-RH CLR/AMBER	EXPLORER 3/04-05(1)	31.19	24.95
47-0212	(8)	BULB-PARKLIGHT AMBER	EXPLORER 02-2/04(2)	2.44	1.95
47-0214		BULB-PARKLIGHT AMBER	EXPLORER 3/04-05(2)	2.44	1.95
50-8209	(9)	SOCKET-PARKLIGHT BULB	EXPLORER 02-03(2)	9.94	7.95
47-0430		SOCKET-PARKLIGHT BULB	EXPLORER 04-05(2)	8.69	6.95
50-8275	(10)	SOCKET-PARKLIGHT	EXPLORER 02-03(2)	6.19	4.95
50-0454	(11)	SCREW-PARKLIGHT	EXPLORER 02-05(2)	.38	.30
50-0513	(12)	U-NUT-PARKLIGHT	EXPLORER 02-05(2)	.56	.45
50-0512	(13)	RETAINER-PARKLIGHT	EXPLORER 02-05(4)	.56	.45

Front Sidemarkers Reflector

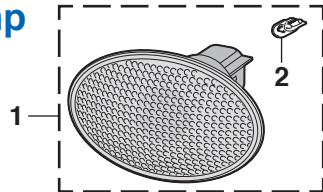
Explorer 1991-94



50-8432	(1)	FRONT SIDEMARKER-LH-AMBER	EXPLORER	91-94	(1)	7.44	5.95
50-8433		FRONT SIDEMARKER-RH-AMBER	EXPLORER	91-94	(1)	7.44	5.95
40-0411	(2)	SCREW	EXPLORER	91-94	(4)	.69	.55

Sidemarker Lamp

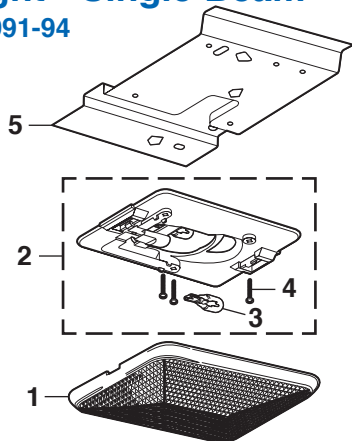
Explorer 2002-05



PART	ILL#	DESCRIPTION AND APPLICATION	REQD	LIST	SELL		
50-8456	(1)	SIDEMARKER LAMP-AMBER	EXPLORER	02-05	(2)	49.94	39.95
47-0234	(2)	BULB-CLEAR	EXPLORER	02-05	(2)	1.19	.95

Dome Light - Single Beam

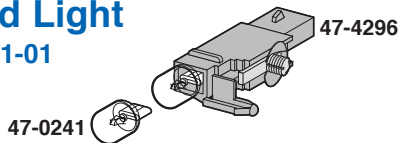
Explorer 1991-94



50-8492	(1)	LENS-DOME LIGHT-CLEAR	EXPLORER	91-94	(1)	16.19	12.95
50-8493	(2)	DOME LIGHT BODY	EXPLORER	91-94	(1)	24.94	19.95
47-0235	(3)	BULB-CLEAR	EXPLORER	91-94	(1)	1.19	.95
40-0508	(4)	SCREW	EXPLORER	91-94	(3)	.63	.50
50-8494	(5)	DOME LIGHT BRACKET	EXPLORER	91-94	(1)	31.19	24.95

Underhood Light

Explorer 1991-01



47-4296	UNDERHOOD LIGHT	EXPLORER	91-01	(1)	37.44	29.95
47-0241	BULB-CLEAR	EXPLORER	91-01	(1)	1.19	.95

Underhood Lamp Kit

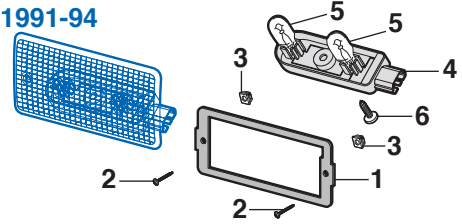


47-4361

This Underhood Lamp Kit adapts to any 12 volt vehicle and helps illuminate your engine bay. Necessary installation hardware is included with lamp. No need for wiring to a switch, bulb socket base is gravity activated, lamp comes on when the hood is raised and goes out when lowered.

Third Brake Light Components

Explorer 1991-94



PART	ILL#	DESCRIPTION AND APPLICATION	REQD	LIST	SELL		
50-8484	(1)	GASKET-THIRD BRAKE LIGHT	EXPLORER	91-94	(1)	2.44	1.95
40-0509	(2)	SCREW	EXPLORER	91-94	(2)	.69	.55
40-0913	(3)	WELL NUT	EXPLORER	91-94	(2)	.56	.45
50-8485	(4)	BULB RACK W/BULBS	EXPLORER	91-94	(1)	12.44	9.95
47-0235	(5)	BULB-CLEAR	EXPLORER	91-94	(2)	1.19	.95
50-0315	(6)	SCREW	EXPLORER	91-94	(1)	1.19	.95

Third Brake Light

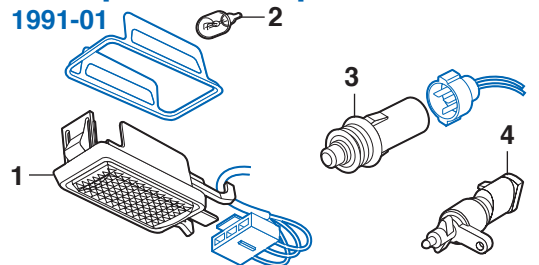
Explorer 1995-97



50-8486	3RD BRAKE LIGHT ASSEMBLY	RED EXPLORER	95-97	(1)	199.94	159.95
---------	--------------------------	--------------	-------	-----	--------	--------

Liftgate Lamp and Components

Explorer 1991-01



PART	ILL#	DESCRIPTION AND APPLICATION	REQD	LIST	SELL		
50-8491	(1)	LIFTGATE LAMP ASSEMBLY	CLEAR	91-01	(1)	24.94	19.95
47-0235	(2)	BULB-CLEAR	EXPLORER	91-01	(1)	1.19	.95
50-8110	(3)	SWITCH	EXPLORER	91-94	(1)	16.19	12.95
50-8007	(4)	SWITCH	EXPLORER	95-01	(1)	18.69	14.95

Dome / Map Light Components

Explorer 2002-05



PART	ILL#	DESCRIPTION AND APPLICATION	REQD	LIST	SELL		
47-4292	(1)	LENS-DOME/MAP LIGHT-CLEAR	EXPLORER	02-05	(1)	18.69	14.95
47-0223	(2)	BULB-CLEAR	EXPLORER	02-05	(3)	2.44	1.95

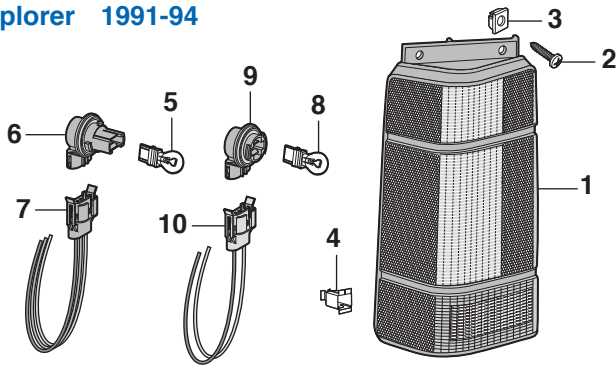
Mount underneath hood and connect lamp wire to any constant hot vehicle wire. Moisture proof in-line fuse is integrated into wire for your protection.

**Installation Tip:** Since all hoods and mounting locations are different, a slight adjustment to the mounting bracket may be needed to assure the light goes out when the hood is closed. After the mounting bracket and wires have been installed, apply pressure to the mounting bracket to change the angle as needed.

PART	DESCRIPTION AND APPLICATION	REQD	LIST	SELL
47-4361	UNDERHOOD LAMP KIT	(1)	31.19	24.95
47-0236	REPLACEMENT BULB-CLEAR FOR 47-4361	(1)	1.19	.95

## Tail Light and Components

Explorer 1991-94

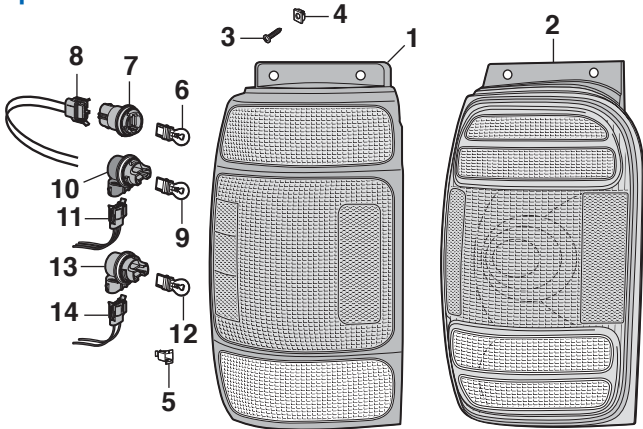


### Custom Bulbs See Page 46

PART	ILL#	DESCRIPTION AND APPLICATION	REQD	LIST	SELL	
50-8470	(1)	TAIL LIGHT-LH	RED/CLEAR EXPLORER	91-94 (1)	43.69	34.95
50-8471	(1)	TAIL LIGHT-RH	RED/CLEAR EXPLORER	91-94 (1)	43.69	34.95
50-0316	(2)	SCREW	EXPLORER	91-94 (4)	1.19	.95
50-0505	(3)	NUT-UPPER	EXPLORER	91-94 (4)	1.19	.95
50-0506	(4)	RETAINER-LOWER	EXPLORER	91-94 (4)	1.19	.95
50-8200	(5)	BULB-TAIL LIGHT-CLEAR	EXPLORER	91-94 (2)	1.19	.95
50-8270	(6)	SOCKET-TAIL LIGHT BULB	EXPLORER	91-94 (2)	3.69	2.95
50-8271	(7)	SOCKET-TAIL LIGHT	EXPLORER	91-94 (2)	8.69	6.95
50-8201	(8)	BULB-BACKUP LAMP-CLEAR	EXPLORER	91-94 (2)	1.19	.95
50-8272	(9)	SOCKET-BACKUP LAMP BULB	EXPLORER	91-94 (2)	3.69	2.95
50-8273	(10)	SOCKET-BACKUP LAMP	EXPLORER	91-94 (2)	4.94	3.95

## Tail Light and Components

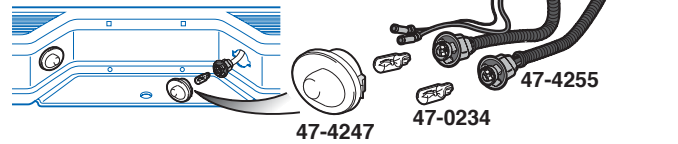
Explorer 1995-01



PART	ILL#	DESCRIPTION AND APPLICATION	REQD	LIST	SELL	
50-8472	(1)	TAIL LIGHT-LH	AMBER/RED/ CLEAR	2/95-97 (1)	37.44	29.95
50-8473	(1)	TAIL LIGHT-RH	AMBER/RED/ CLEAR	2/95-97 (1)	37.44	29.95
50-8474	(2)	TAIL LIGHT-LH	AMBER/RED/ CLEAR	98-01 (1)	49.94	39.95
50-8475	(2)	TAIL LIGHT-RH	AMBER/RED/ CLEAR	98-01 (1)	49.94	39.95
50-0316	(3)	SCREW	EXPLORER	95-01 (4)	1.19	.95
50-0505	(4)	NUT-UPPER	EXPLORER	95-01 (4)	1.19	.95
50-0506	(5)	RETAINER-LOWER	EXPLORER	95-01 (4)	1.19	.95
50-8201	(6)	BULB-TURN SIGNAL-CLEAR	EXPLORER	95-01 (2)	1.19	.95
50-8211	(7)	SOCKET-TURN SIGNAL BULB	EXPLORER	95-01 (2)	9.94	7.95
50-8273	(8)	SOCKET-TURN SIGNAL	EXPLORER	95-01 (2)	4.94	3.95
50-8200	(9)	BULB-TAIL LIGHT-CLEAR	EXPLORER	95-01 (2)	1.19	.95
50-8207	(10)	SOCKET-TAIL LIGHT BULB	EXPLORER	95-01 (2)	9.94	7.95
50-8271	(11)	SOCKET-TAIL LIGHT	EXPLORER	95-01 (2)	8.69	6.95
50-8201	(12)	BULB-BACKUP-CLEAR	EXPLORER	95-01 (2)	1.19	.95
50-8212	(13)	SOCKET-BACKUP BULB	EXPLORER	95-01 (2)	11.19	8.95
50-8274	(14)	SOCKET-BACKUP LIGHT	EXPLORER	95-01 (2)	6.19	4.95

## Rear License Lamp

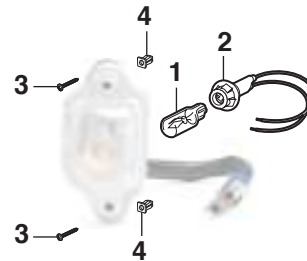
Explorer 1991-97



PART	DESCRIPTION AND APPLICATION	REQD	LIST	SELL
47-4247	LICENSE LAMP LENS-SILVER CLEAR	EXPLORER 91-97 (2)	12.44	9.95
50-8481	LICENSE LAMP LENS-BLACK CLEAR	EXPLORER 91-97 (2)	12.44	9.95
50-8482	LICENSE LAMP LENS-CHROME CLEAR	EXPLORER 91-97 (2)	12.44	9.95
47-0234	BULB CLEAR	EXPLORER 91-97 (2)	1.19	.95
47-4255	LICENSE PLATE LAMP HARNESS	EXPLORER 91-97 (1)	18.69	14.95

## Rear License Lamp Components

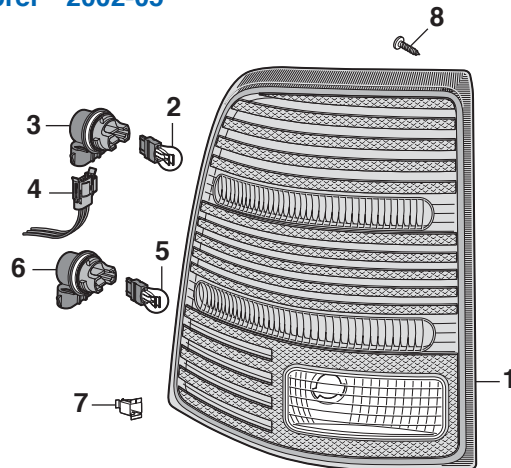
Explorer 1998-05



PART	ILL#	DESCRIPTION AND APPLICATION	REQD	LIST	SELL	
47-0211	(1)	BULB-CLEAR	EXPLORER	98-05 (2)	1.19	.95
47-0412	(2)	SOCKET-REPLACEMENT	EXPLORER	98-05 (2)	4.94	3.95
50-0314	(3)	SCREW	EXPLORER	98-05 (4)	.81	.65
40-0913	(4)	WELL NUT	EXPLORER	98-05 (4)	.56	.45

## Tail Light and Components

Explorer 2002-05



PART	ILL#	DESCRIPTION AND APPLICATION	REQD	LIST	SELL	
50-8488	(1)	TAIL LIGHT-LH	RED/CLEAR EXPLORER	02-05 (1)	62.44	49.95
50-8489	(1)	TAIL LIGHT-RH	RED/CLEAR EXPLORER	02-05 (1)	62.44	49.95
50-8204	(2)	BULB-BRAKE/TURN CLEAR	EXPLORER	02-05 (2)	1.19	.95
50-8207	(3)	SOCKET-BRAKE/TURN BULB	EXPLORER	02-03 (2)	9.94	7.95
50-8213	(3)	SOCKET-BRAKE/TURN BULB	EXPLORER	04-05 (2)	24.94	19.95
50-8271	(4)	SOCKET-BRAKE/TURN	EXPLORER	02-03 (2)	8.69	6.95
50-8200	(5)	BULB-BACKUP CLEAR	EXPLORER	02-05 (2)	1.19	.95
50-8214	(6)	SOCKET-BACKUP BULB	EXPLORER	02-03 (2)	17.44	13.95
50-8215	(6)	SOCKET-BACKUP BULB	EXPLORER	04-05 (2)	12.44	9.95
50-0506	(7)	RETAINER	EXPLORER	02-05 (2)	1.19	.95
50-0319	(8)	SCREW	EXPLORER	02-05 (4)	2.44	1.95

## Computer Codes and Electronic Engine Management Systems



**Automotive Computer Codes & Electronic Engine Management Systems:** Computer-controlled vehicle repair made easy with this fully illustrated manual containing over 350 photographs and line drawings, featuring simple do-it-yourself diagnosis, easy access to on-board computer trouble codes and code charts that are both complete and easy to follow.

PART	DESCRIPTION	LIST	SELL
42-0229	AUTO COMPUTER CODES 80-95	24.94	19.95



**OBD-II & Electronic Engine Management Systems:** Computer controlled car repair made easy. For all car and light truck models manufactured since 1996. Understand your vehicle's On-Board Diagnostic System. Learn how to deal with that "Check Engine" light, from reading the code to diagnosing and fixing the problem. Includes comprehensive computer code lists. Fully illustrated with over 250 photographs and drawings. Let your truck's computer help you find the problem!

PART	DESCRIPTION	LIST	SELL
42-0244	OBD-II TECHBOOK 1996-0N	24.94	19.95

## Repair Manual



**Chilton Repair Manual Ford Ranger/Explorer/Mountaineer 1991-99:** Written for the do-it-yourselfer, this automotive repair manual features step-by-step instructions with detailed specifications, exploded views and photographs. Includes vacuum and wiring diagrams as well as diagnostic and troubleshooting charts.

PART	DESCRIPTION	LIST	SELL
50-1611	CHILTON REPAIR 91-99	28.69	22.95

## Extreme Vehicle Customizing Manuals



**Extreme Customizing Ford Full-Size Pick-Ups:** Easy-to-follow, step-by-step process for customizing your truck. Handy tips from the experts with 100's of customizing ideas and full color throughout. Includes billet accessories, gauges, tail light lenses, tonneau covers, body kits, lift and lowering kits, intake and exhaust and much, much more.

PART	DESCRIPTION	LIST	SELL
42-0241	CUSTOMIZING FORD TRUCK	37.44	29.95



**Extreme Sport Utility Vehicle Customizing:** Easy-to-follow, step-by-step process for customizing your SUV. Handy tips from the experts with 100's of customizing ideas and full color throughout. Includes billet accessories, gauges, tail light lenses, body kits, suspension modifications, intake and exhaust and much, much more.

PART	DESCRIPTION	LIST	SELL
42-0243	CUSTOMIZING SUV	37.44	29.95



**Extreme Customizing In-Car Entertainment:** Easy-to-follow, step-by-step process for customizing your ride. Everything from adding a powerful sound system to installing a complete video entertainment center can be found in this comprehensive book. Handy tips and tricks from the experts with 100's of ideas and full color throughout. Includes in-dash players, speaker installations, subwoofers and enclosures, amps, satellite radio upgrade, video systems, navigation, alarms and much, much more.

PART	DESCRIPTION	LIST	SELL
42-0242	IN-CAR ENTERTAINMENT	37.44	29.95

## Haynes Manuals



**Haynes Fuel Injection Manual 1986-1999:** Covers port injection, TBI and CIS. Complete with trouble codes and troubleshooting information for all major manufacturers.

PART	DESCRIPTION	LIST	SELL
42-0505	HAYNES FUEL INJECTION	23.69	18.95

**Ford Automatic Transmission Overhaul Manual:** In-depth coverage of popular Ford transmissions. The C3, C4, C5, C6 and AOD transmissions are covered with complete overhaul photo sequences. Also covered are the theory of operation, in-vehicle repairs and modifications.

PART	DESCRIPTION	LIST	SELL
42-0507	HAYNES AUTO TRANSMISSION	24.94	19.95

**Haynes Emission Control Manual:** A simple, do-it-yourself approach to automotive emissions controls. Basic information, diagnosis and repair for domestic and import models, including computer-controlled vehicles.

PART	DESCRIPTION	LIST	SELL
42-0508	HAYNES EMISSION CONTROL	24.94	19.95

**Holley Carburetor Manual:** Covering models from the mid-1960s through the late 1980s. Includes one, two, three and four barrel carburetors. Complete photo sequence overhaul chapters explaining design, operation, modification, troubleshooting and tuning.

PART	DESCRIPTION	LIST	SELL
42-0509	HAYNES HOLLEY CARB	24.94	19.95

**Haynes Brake Manual:** Covers principles of operation, troubleshooting, maintenance and repair of the braking system. Contains over 500 illustrations.

PART	DESCRIPTION	LIST	SELL
42-0511	HAYNES BRAKE MANUAL	24.94	19.95

**Haynes Suspension, Steering & Driveline Manual:** Covers troubleshooting, maintenance and repair procedures for most foreign and domestic suspension, steering and driveline systems. Includes rear differential overhaul procedures and modifications for improving your vehicle's handling.

PART	DESCRIPTION	LIST	SELL
42-0512	HAYNES SUSP STEERING DRIVE	24.94	19.95

**Electrical:** Covers basic electrical fundamentals, troubleshooting and repair for both domestic and foreign vehicles. It includes engine starting and charging systems, lights, gauges, accessories and more. 241 pages.

PART	DESCRIPTION	LIST	SELL
42-0502	HAYNES ELECTRICAL MANUAL	24.94	19.95

**Body Repair & Painting:** A complete photographic guide showing truck care and detailing, rust prevention, body repair from minor dents to major structural repair as well as painting. 207 pages.

PART	DESCRIPTION	LIST	SELL
42-0501	HAYNES BODY & PAINTING	24.94	19.95

**Heating & Air Conditioning:** Covers step-by-step procedures for diagnosis, maintenance and repair of all domestic and import heating and air conditioning systems in use today. 209 pages.

PART	DESCRIPTION	LIST	SELL
42-0500	HAYNES HEATING & AIR	24.94	19.95

**Diesel Engine Repair Manual:** This manual covers maintenance, repair and overhaul on diesel engines.

PART	DESCRIPTION	LIST	SELL
42-0506	HAYNES TECHBOOK DIESEL	24.94	19.95

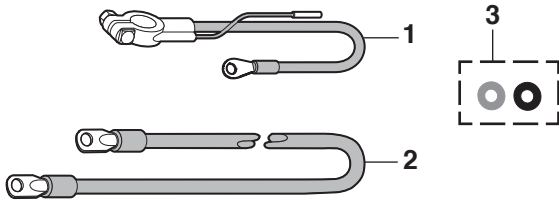
**Haynes Manuals Explorer 1991-05:** Contains step-by-step procedures for Ford Explorers 1991-05 with hundreds of easy-to-follow photos. Written from "hands-on" experience using common tools.

PART	DESCRIPTION	LIST	SELL
50-1601	HAYNES MNL EXPLORER 91-01	24.94	19.95
50-1602	HAYNES MNL EXPLORER 02-05	24.94	19.95

**Haynes Fuel Injection Manual 1978-85:** An informative guide to the most popular fuel injection systems from Bosch, General Motors, Ford and Chrysler. Includes procedures for troubleshooting and repair.

PART	DESCRIPTION	LIST	SELL
42-0504	HAYNES FUEL INJECTION	24.94	19.95

## Replacement Battery Cables



All battery cables have a copper core that extends to the end of the plated lug to give a one-piece solid connection. Terminal protectors help prevent power-robbing corrosion build-up that inhibits cranking power.

Part numbers ending in -RD are red cables.  
Part numbers ending in -BL are black cables.

PART	ILL#	DESCRIPTION AND APPLICATION	REQD	LIST	SELL
47-1140-RD	(1)	POSITIVE CABLE - 10"	(1)	6.19	4.95
47-1141-RD		POSITIVE CABLE - 15"	(1)	6.19	4.95
47-1142-RD		POSITIVE CABLE - 20"	(1)	7.44	5.95
47-1143-RD		POSITIVE CABLE - 25"	(1)	8.69	6.95
47-1144-RD		POSITIVE CABLE - 56"	(1)	12.44	9.95
47-1158-RD		POSITIVE CABLE - 72"	(1)	16.19	12.95
47-1150-BL		NEGATIVE CABLE - 25"	(1)	8.69	6.95
47-1152-BL		NEGATIVE CABLE - 38"	(1)	9.94	7.95
47-1154-BL		NEGATIVE CABLE - 48"	(1)	12.44	9.95
47-1155-BL		NEGATIVE CABLE - 53"	(1)	12.44	9.95
47-1146-RD	(2)	CABLE TO STARTER-24"	(1)	6.19	4.95
47-1147-RD		CABLE TO STARTER-32"	(1)	7.44	5.95
47-1157-RD		CABLE TO STARTER-40"	(1)	8.69	6.95
47-1148-RD		CABLE TO STARTER-49"	(1)	8.69	6.95
47-1157	(3)	TERMINAL PROTECTOR SET	(1)	2.44	1.95

## Replacement Horns



PART	DESCRIPTION AND APPLICATION	LIST	SELL
47-2150	HORN UNIT-STANDARD-HIGH	24.94	19.95
47-2152	HORN UNIT-STANDARD-LOW	24.94	19.95

## Electronic Musical Horn with 46 Sounds and PA

The Electronic Musical Horn easily plugs into a cigarette lighter or power point to play a selected sound three times and stop automatically or can be used as a powerful loud speaker with the included microphone. The command module is 7" wide by 3" high and easily mounts within reach using the included adhesive backed hook and loop patches. No drilling is required.

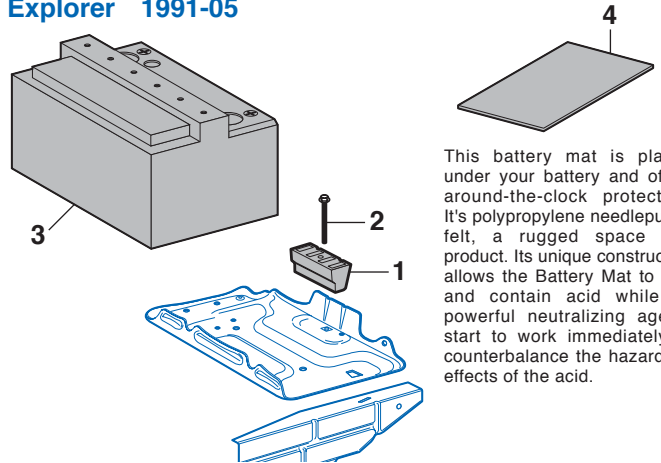


Features include an adjustable rotary on/off volume control to allow for easy sound level control, five bright LED lights on the control module which instantly indicates system mode and a 4" diameter weatherproof horn that mounts under the hood. For 12 volt negative ground systems.

PART	DESCRIPTION AND APPLICATION	LIST	SELL
42-1501	ELECTRONIC MUSICAL HORN	62.44	49.95

## Battery Tray Components

Explorer 1991-05

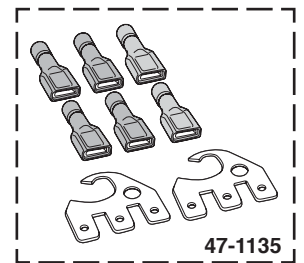


This battery mat is placed under your battery and offers around-the-clock protection. It's polypropylene needlepunch felt, a rugged space age product. Its unique construction allows the Battery Mat to trap and contain acid while its powerful neutralizing agents start to work immediately to counterbalance the hazardous effects of the acid.

PART	ILL#	DESCRIPTION AND APPLICATION	REQD	LIST	SELL
50-9016	(1)	BATTERY HOLD DOWN	EXPLORER 91-05 (1)	6.19	4.95
50-0231	(2)	BOLT	EXPLORER 91-05 (1)	3.69	2.95
50-9017	(3)	BATTERY COVER	EXPLORER 92-94 (1)	62.44	49.95
42-1001	(4)	BATTERY MAT-BLACK	8" X 12"	(1)	6.19 4.95

## Battery Tap Accessory Circuit Kit

Use the Battery Tap as an easy and reliable way to make direct connections at the battery. Designed to fit positive and/or negative battery terminals. Each Battery Tap provides up to three new circuits. Kit contains two taps and six crimp connectors. The Battery Tap can be stacked to provide additional connection points or can be attached to the vehicle frame for additional grounding points.



PART	DESCRIPTION AND APPLICATION	LIST	SELL
47-1135	BATTERY TERMINAL TAP KIT TOP POST	6.19	4.95

## Battery Disconnect Switches



- Put an end to battery drain
- Effective deterrent against vehicle theft
- Reduced risk of fire while vehicle is parked

Battery Disconnect Switches are easy to install and use. Depending upon the switch, you simply unscrew the knob, lift the lever, or turn the key to isolate the battery from the rest of the electrical system, which reduces the risk of fire while your vehicle is parked. With key or knob style disconnects, the key or knob can be totally removed as an additional deterrent against vehicle theft. A 15-amp Bypass Fuse is available to maintain the settings on your computer, radio, clock, etc., while your battery is disconnected.

PART	DESCRIPTION AND APPLICATION	REQD	LIST	SELL
47-1119	BATTERY DISCONNECT-KNOB STYLE TOP POST	(1)	12.44	9.95
47-1121	BATTERY DISCONNECT-KNIFE STYLE TOP POST	(1)	37.44	29.95
47-1120	BATTERY DISCONNECT-KEY STYLE IN LINE	(1)	19.94	15.95
47-1118	BYPASS FUSE 15-AMP IN LINE	(1)	4.94	3.95

### Ordering: Your Responsibilities

- Be prepared with correct mailing ZIP code.
- Give correct part number, description of part and quantity desired.
- State make, model, year of vehicle and chassis ID number where pertinent.
- Have credit card account number, expiration date, name as it appears on the card and a billing address ready before you phone. Any incomplete/incorrect information will delay your order.
- Specify if shipping address is different from mailing address; be prepared with correct mailing ZIP code.
- To ensure accuracy, speak distinctly and spell your name, street, city and state.
- When ordering by mail or fax include all information above, use Order Form whenever possible and please print clearly. Include daytime phone number.
- When ordering by mail or fax, the correct parts total with additional charges is your responsibility.

#### Parts Information

**We are not trained automotive technicians. You should consult local machine shops and mechanics regarding technical advice. Technical information is included in workshop manuals shown in catalogs.**

### Availability Of Parts

Every part listed in this catalog at the time it was written was available to us from our importers, suppliers or manufacturers. We serve a hobby that spans over 30 years and, even for late model vehicles, parts become discontinued. When a part is discontinued, it will be removed from the next current catalog. If you have ordered an item that becomes discontinued, the part will be cancelled from your order. You will be notified and refunded, if prepaid.

### Substitution Of Parts

We reserve the right to substitute products of similar nature and like quality.

### Backorders

If a part you ordered is not in stock at the time you placed your order, chances are it is already on the way to us. Such items will show as backordered on your packing list and will be shipped as soon as possible. If you do not want backorders to be filled, simply write "No Backorders" on your order form. Backorders can be cancelled prior to shipment by calling our customer order line, (800) 562-8782.

### Cancelled Orders

Orders with incomplete/incorrect information will be cancelled within 5 business days.

### Abbreviations

The following notifications may appear on your packing list:

- BACKORD - Backordered: Part is not available to ship at time of order; will ship when available.
- TBA - To Be Announced: Part is not available; please check availability at a future date.
- NLA - No Longer Available: No manufacturer source for this part.

### Part Number Definitions

- T - After a part number means that part must be shipped Truck Freight. The prepaid order will include a \$125.00 charge for delivery in the 48 contiguous United States. Orders outside of 48 states will be quoted. Due to packing and/or transportation requirements, please allow additional time for delivery.
- \* - After the sell price means Oversize Part Charge. Your order will incur a charge of \$20.00 for each oversized part. Due to packing and/or transportation requirements, please allow additional time for delivery.
- Z - After a part number means Remanufactured Part. Core charge will be applied then refunded after receipt of a rebuildable core.
- R - After a part number means Remanufactured Part. No core charge.

### Payment Methods

1. Credit or debit cards accepted: Visa, MasterCard, American Express, Discover.
2. Checks By Phone: Requires a \$100 minimum order. Please have your account number and routing number ready when calling. First time customers, please allow 72 hours for processing.
3. PREPAID ORDERS MUST BE PAID IN U.S. FUNDS. Not responsible for cash sent through USPS, UPS or other delivery methods. Money orders or certified checks **payable to Long Motor Corporation** are preferred since personal checks may cause a delay. NO FOREIGN CURRENCY.
4. C.O.D. orders will only be shipped for cashier's check or money order upon delivery. Refer to **C.O.D.s** section.
5. Gift certificates may be purchased through our Telephone Service Representatives. Gift certificate may only be redeemed by mail or at the City Counter.

### Credit Card Charging

We do not charge your account when we receive your order. We only charge your account at the time the order goes to shipping and for only those items being shipped. **Your copy of the packing list is your record of payment.**

- Refunds are made in the same manner in which you made payment: credit to your charge card, or refund check if you paid by check. Credit to your charge card will not appear until you receive your next billing statement. Refunds on orders paid by check will be issued after 10 working days from receipt of check.

### Balance Due

On prepaid orders, where there is a balance due, you will be notified.

### Returns Policy

- We consider all sales final unless a part is either:
  1. Defective
  2. Damaged in shipping.
  3. Other than ordered.
- A return will not be accepted after 180 days (unless under extended manufacturer warranty shown in catalogs). If the part is returned after the 180 days a 20% restocking fee will apply. After one year a 25% restocking fee will apply.
- Returns must be made in their original cartons.
- Any part that is returned must be in NEW-SALE condition as determined by our returns department.
- Parts for which installation has been completed or attempted are not returnable. It is the customer's responsibility to check parts for correct fit BEFORE installation.
- A part which has been disassembled, drilled, welded, cut, painted or modified in any way cannot be returned.
- Installation, disassembly or modification done by a third party on behalf of a customer is not an exception to our policy. The purchaser has full responsibility for the condition of the part.
- It is necessary to call Customer Service for a return authorization to return an incomplete kit. Customer must have approval from Customer Service for the return of partial kit. If customer would like to exchange a part from a kit for another part, you will need to contact Customer Service for approval.
- Customer may return a part in exchange for another part if part is similar in price.
- Refunds are made in the same manner in which you made payment: credit to your charge card, or refund check if you paid by check. Refunds on orders paid by check will be issued after 10 working days from receipt of check. Refunds of less than \$1 will not be refunded without customer request.

### Returns Procedure

- For a return to be accepted (exchange/refund), the procedure on the back of the packing slip must be followed exactly. Call Customer Service for return authorization on **Truck Freight** parts or **orders shipped outside the 48 states**. It is not necessary to call for authorization on **UPS** or mail shipments inside the 48 contiguous United States. The original packing slip or a copy of **both** sides **must** accompany the return. Failure to include invoice with your shipment will delay the return processing and may result in a 20% restocking fee. **Keep A Copy For Your Records!**
- All returns must have shipping charges prepaid, including duties, customs and special handling charges, where applicable. We recommend that you return your items via UPS for better service and traceability. C.O.D.s will **not** be accepted.
- On returns due to our error, your shipping expense will be reimbursed based only upon **UPS ground** charges. If a reship is necessary, we will pay ground shipping charges. Call for return authorization on **Truck Freight** parts.
- Unauthorized Truck Freight returns will be charged 20% restocking fee plus the actual roundtrip Truck Freight charges.
- If the return was not caused by our error, or not accompanied by a copy of the original packing slip, a restocking fee of up to 20% may be charged. This fee will be waived if the full credit from the return is applied to a new order received with the returned parts.
- On CD returns, if the tamper-proof seal on the CD case is broken, it may be returned for an exchange for the same part number only.
- Please package your returns carefully in original container(s) and send to the following address. We are not responsible for damages.

15450 W. 108th Street, Lenexa, KS 66219

### Warranty

- LMC TRUCK guarantees all parts for exchange or refund up to 180 days provided all criteria for a return are met. See **Returns Policy & Procedure**.
- In some instances the manufacturer's warranty extends this limit. These extensions are noted in the catalog. Example: Hedman Heddors.
- All parts are subject to the manufacturer's warranty on workmanship and materials. Long Motor Corporation dba LMC TRUCK will not be responsible or liable for labor, incidental or consequential damages of any kind. Our maximum liability shall not exceed the cost of the product.
- Failure of a part due to misuse, incorrect installation or failure of related parts is not covered by warranty and is not the liability of Long Motor Corporation dba LMC TRUCK.
- The warranty period begins at Date of Purchase.
- If we are unable to exchange a part, due to backorder or no longer available status of the part, we will refund you the original purchase price of the part.

### Prices

We establish prices and hold those prices until a new edition or supplemental price sheet is published. Except for unusual circumstances the price in the current catalog "Sell" column is the low price you will pay.

### Catalog Errors

We have made every effort to assure that the information in this publication is correct. We will not be held liable or responsible if any inaccuracy exists in specifications or pricing. We reserve the right to correct any errors.

### Your Rights

As a mail order customer you have certain rights according to federal regulation. We want you to be aware of those rights and be assured we will protect those rights. We are in business to serve you.

- If we are unable to ship your order within 30 days of the date received, we will notify you. On prepaid orders over 60 days, your written approval is required, or parts will be cancelled and you will receive a prompt refund.

### LMC TRUCK Rights

- We reserve the right to refuse service or shipment to anyone.
- We reserve the right to collect a service charge of \$20 for a returned check. Insufficient fund accounts will be held for no shipments until fee is collected.



**Effective November 5, 2013**

These charges supersede all previous publications.

**Order Charge**

The following charges will be added to your order where applicable:

1. "Delivery and Handling Charge" based on "Parts Total" of order.
2. "Core Charge". See "Core Charge".
3. Orders shipped within Kansas will be charged the current combined state and local sales tax rate for the delivery address. Orders that are picked up at the City Counter will be charged the current applicable rate. If a Kansas State Resale Exemption form is on file or provided, no sales tax will be charged.

**Delivery & Handling Charge (D & H)  
Within The 48 Contiguous United States**

1. This charge is based on "Order Parts Total", excluding items which ship truck freight. -T parts must ship Truck Freight. All truck freight must be prepaid. Prepaid truck freight in the 48 contiguous United States will be \$125.00. This includes shipping, handling and insurance. Due to packing and/or transportation requirements, please allow additional time for delivery.
2. \* After the sell price means Oversize Part Charge. Your order will incur a charge of \$20.00 for each oversized part. Due to packing and/or transportation requirements, please allow additional time for delivery.

*We reserve the right to choose method of shipment.*

Order Parts Total	Ground Delivery / UPS	2nd Day Air	Next Day Air
Up to \$20.00	\$ 7.75	\$ 25.75	\$ 44.75
\$20.01 to 50.00	10.75	30.75	52.75
50.01 to 75.00	13.75	36.75	60.75
75.01 to 100.00	18.75	45.75	70.75
100.01 to 150.00	23.75	58.75	83.75
150.01 to 250.00	27.75	65.75	91.75
250.01 to 350.00	31.75	72.75	105.75
350.01 to 500.00	34.75	78.75	118.75
500.01 to 1000.00	37.75	Quote	Quote
1000.01 and Up	Free UPS Ground ▼ Free Truck Freight ▼	Quote	Quote

◆ Limitations may apply.

**Delivery Policies**

1. Free delivery on orders over \$1000.00 that ship UPS Ground. ▼ Below
  2. Free delivery on orders over \$1000.00 that ship Truck Freight. ▼ Below
  3. Free delivery orders must be placed at one time. We reserve the right to split shipments.
  4. Long Motor Corporation cannot assume responsibility for any interruption of delivery service due to a cause beyond the carrier's control, including, but not limited to: weather, strikes, lockouts or labor disputes.
- ▼ Free delivery exceptions:
- A. No free delivery on Orders Outside of 48 Contiguous United States.

**Saturday Delivery Charge**

- UPS Saturday Delivery is only available upon request.
  - UPS Saturday Delivery is not available in all areas.
  - **A \$15.00 charge will be added to Next Day Air Charges.**
  - Delivery is not available to orders outside of the 48 contiguous United States, APO/FPO addresses, P.O. Box numbers or for -T truck common carrier parts.
1. All orders must be prepaid. **No C.O.D.s.**
  2. All orders must be received by Friday 3:00 p.m. Central Time in order to ship Saturday Delivery.

**Air Delivery Charge**

1. All orders in the 48 contiguous United States must be received by 3:00 p.m. Central Time, Monday through Friday, in order to ship same day (except holidays).
  - Next Day Air and Second Day Air service are available in the 48 contiguous United States. Air Service delivery is only available upon request. Next Day is guaranteed the next business day. Second Day Air delivery is guaranteed for delivery on the second business day.
  - Next Day Air Service or Second Day Air deliveries scheduled to deliver between December 12 and December 25 are not guaranteed.
  - Air Delivery is not available to APO/FPO addresses, P.O. Box numbers or for -T truck common carrier parts.
2. Limitations on size and/or weight do apply to some items.
 

For orders containing Oversized Parts:

  - Orders less than \$500 - Each Oversized Part incurs a \$20 charge.
  - Orders over \$500 - Will be quoted. You will be contacted by Customer Service with exact shipping charges prior to shipping.
3. Backorders will be shipped by ground service methods. If backorders are requested to ship air, additional air charges will be applied to the backorder shipment.
4. Other Regulated Material (ORM) items are not permitted on air shipments. Items ◆ included but not limited to are paint, glue or adhesives.

**APO/FPO**

1. C.O.D. is not allowed on APO/FPO orders.
  2. Before placing your order, check to be certain parcels will be accepted and delivered to your APO/FPO location.
  3. All APO/FPO shipments will be sent Insured Priority Mail via the U.S. Postal Service. Size limitations apply.
  4. All orders will be shipped complete.
- No Truck (-T) item can be shipped to APO/FPO location; no exceptions.**

**Additional Delivery Time Required**

1. Truck Freight (-T) and Oversized (\*) Parts - Due to packing and/or transportation requirements.
2. Large orders that require specialized packing to prevent damages.

**C.O.D.s**

1. \$11.00 for "C.O.D. Orders".
2. All C.O.D. orders will be shipped for cashier's check or money order. No exceptions.
3. You must provide an address where someone is available 8:00 a.m. - 5:00 p.m., Monday-Friday, to receive and pay for your C.O.D. shipment.
4. Undelivered or refused C.O.D.s will cause your account to be flagged for prepaid orders only.

**C.O.D.s are not allowed on:**

1. Orders that must be shipped Truck Freight ("T" suffix).
2. Orders outside of the 48 contiguous United States.
3. Air Delivery orders.
4. APO/FPO orders.
5. Postal Delivery orders.

**Alaska, Hawaii and U.S. Territories**



Order Parts Total	USPS Priority Mail Alaska, Hawaii & U.S. Territories
Up to \$20.00	\$ 14.25
\$20.01 to 50.00	18.25
50.01 to 75.00	20.25
75.01 to 100.00	24.25
100.01 to 150.00	32.25
150.01 to 250.00	39.25
250.01 to 350.00	42.25
350.01 to 500.00	49.25
500.01 and Up	Quote ◆

1. Orders must ship complete.
2. Your responsibilities include additional delivery costs, oversized and overweight charges which will be added to your order.
3. You must provide a daytime telephone number with your order. Ten days after the third attempt to contact you, your order will be cancelled.

*We reserve the right to choose method of shipment.*

◆ You will be contacted with charges.

**International Orders**

1. Orders must ship complete.
2. Transportation charges must be prepaid by customer prior to shipping.
3. Customer is responsible for **All Brokerage, Duty and Tax and Fees** associated with delivery to respective destination address.
4. Payment must be in U.S. funds. Customer has sole responsibility for payment delivery method. No personal checks.

**Canada Orders Only**

1. UPS "Door to Door" services include brokerage, duty and tax.
2. Charges are based on value of shipment. Document and preparation fees included.

**Shipping/Damage Claims**

*Please open your package(s) and check the items and packing list as soon as received. Some small parts are occasionally packaged inside larger ones.*

- All parts are F.O.B., Lenexa, Kansas. DAMAGED SHIPMENTS ARE THE RESPONSIBILITY OF THE CARRIER. Should your shipment appear to be damaged or opened when received, check the contents in the presence of the carrier's agent. Report any discrepancies and file a damage claim with the carrier at that time.
- On Truck Freight Shipments: It is the customer's responsibility to have driver note all damage on the freight bill BEFORE YOU SIGN FOR THE PACKAGE.
  - On Concealed Damage (not noted when delivered) contact the carrier.
  - Save all packing your order was received in.
  - Claims for shortages or damaged parts (visible or concealed) must be made to the carrier within **15 days** of receipt of parts or the claims will not be honored.

**Core Charges (-Z Parts)**

"Core Charges" are charges on items that are remanufactured. The core charge is added to your order and normally assures you will return a unit that can be sent to the manufacturer to be rebuilt. Without the constant inflow of rebuildable units, those items will become unavailable and discontinued. The core charge will be refunded per the policy below.

1. Ship the core back to us postpaid. WE WILL NOT ACCEPT C.O.D.s. Return postage will not be refunded on the core return.
2. Refunds will be issued only for parts that have been purchased from us. Core returns must include a copy of your packing list showing core charges.
3. For a refund the core must be: rebuildable; complete, no missing pieces; and it must be fully assembled. Cores containing oil or any fluid must be completely drained. Cores returned with excessive oil/fluids, non-rebuildable and unidentified cores will not be refunded and will be disposed of at our discretion. In addition to the above policy, specific core refund requirements are found where the part appears in the catalog.
4. Upon receipt and approval of your core, the core charge will be refunded in the same manner as payment was originally made. Refund process may take 7-10 business days depending on the manufacturer.

**15450 W. 108th Street, Lenexa, KS 66219**



# Order Your CATALOGS & PARTS Online

## Long Motor Corporation Gift Certificate ... The Perfect Gift!

- Gift Certificates are the perfect gift to ensure you are giving exactly what they want!
- Gift Certificates can be purchased in any amount and they don't expire.
- Now with FREE DELIVERY...Second Day and Next Day air delivery are available with additional charges.
- Orders must be pre-paid. Orders received before 3:00 p.m. Central Time will ship same day.
- Gift Certificates can now be redeemed through the mail or by phone.



## www.VictoriaBritish.com



USA & Canada: (800) 255-0088  
Worldwide Orders: 1-913-541-8500  
Kansas City Area: 913-541-0880

Yes, Please Send Me One  
Of Your Free Catalogs !

- |  |                                       |   |
|--|---------------------------------------|---|
| <input type="checkbox"/> AH 100-4 / 100-6 / 3000 | <input type="checkbox"/> MGA          | <input type="checkbox"/> TR7 & TR8      |
| <input type="checkbox"/> AH Sprite               | <input type="checkbox"/> Sunbeam      | <input type="checkbox"/> GT6 / Spitfire |
| <input type="checkbox"/> MGB / MGC               | <input type="checkbox"/> TR2 thru 250 |   |
| <input type="checkbox"/> MG Midget               | <input type="checkbox"/> TR6          |   |

VICTORIA BRITISH LTD. Box 14991 / Lenexa, KS 66285-4991

## www.BlackDragonAuto.com



USA & Canada: (888) 789-3746  
Worldwide Orders: 1-913-541-8500  
Kansas City Area: 913-541-1515

Yes, Please Send Me One Of Your Free Catalogs !

- Datsun Z & ZX     Mazda RX-7

BLACK DRAGON AUTOMOTIVE Box 14991 / Lenexa, KS 66285-4991

## www.LMC TRUCK.com



USA & Canada: (800) 562-8782  
Worldwide Orders: 1-913-541-0684  
Kansas City Area: 913-492-8756

Yes, Please Send Me One  
Of Your Free Catalogs !

- 1971-09 Chevrolet / GMC Full-Size G-Series Van  
 1975-12 Ford Full-Size E-Series Van  
 1971-03 Dodge Full-Size B-Series Van

LMC TRUCK Box 14991 / Lenexa, KS 66285-4991

## Car / Truck Clubs

We welcome the opportunity to work with local, regional and national clubs. If you belong to such a club, or know of one, please send us their mailing address along with a copy of the club newsletter if available.

Club Name \_\_\_\_\_  
Person To Contact \_\_\_\_\_  
Street Address \_\_\_\_\_  
City \_\_\_\_\_ State \_\_\_\_\_ Zip \_\_\_\_\_

## www.LMC TRUCK.com



USA & Canada: (800) 562-8782  
Worldwide Orders: 1-913-541-0684  
Kansas City Area: 913-492-8756

Yes, Please Send Me One  
Of Your Free Catalogs !

### Chevrolet Catalogs

- 1947-59 Pickup Truck  
 1960-66 Pickup Truck  
 1967-72 Pickup Truck  
 1973-87 Pickup Truck  
 1988-98 Pickup Truck  
 1999-13 Pickup Truck  
 1982-04 S10 Pickup Truck & Blazer  
 1969-72 Blazer  
 1973-91 Blazer  
 1967-72 Suburban  
 1973-91 Suburban  
 1992-99 Suburban, Blazer & Tahoe  
 2000-13 Suburban & Tahoe

### GMC Catalogs

- 1947-59 Pickup Truck  
 1960-66 Pickup Truck  
 1967-72 Pickup Truck  
 1973-87 Pickup Truck  
 1988-98 Pickup Truck  
 1999-13 Pickup Truck  
 1982-04 S15 / Jimmy & Sonoma  
 1970-72 Jimmy  
 1973-91 Jimmy  
 1967-72 Suburban  
 1973-91 Suburban  
 1992-00 Suburban, Yukon & Denali  
 2000-13 Yukon & Yukon XL

### Dodge Catalogs

- 1994-12 Dodge Ram Pickup  
 1997-06 Dodge Dakota  
 1998-06 Dodge Durango

### Ford Catalogs

- 1948-56 Pickup Truck  
 1957-72 Pickup Truck  
 1973-79 Pickup & 1978-79 Bronco  
 1980-96 Pickup Truck & Bronco  
 1997-13 Pickup Truck  
 1999-13 Super Duty  
 1983-11 Ranger  
 1966-77 Bronco  
 1984-90 Bronco II

### Internet Only Catalogs

- 1991-05 Explorer  
 1997-06 Expedition  
 2000-05 Excursion

LMC TRUCK Box 14991 / Lenexa, KS 66285-4991

## Help Keep Us Informed!

If you would like to continue receiving our catalog — or if you don't — we need your help in keeping our mailing list up to date. Please let us know about any changes in your address or car ownership.

Make \_\_\_\_\_ Model \_\_\_\_\_ Year \_\_\_\_\_

**Truck Only** (check appropriate boxes)  2WD  4WD &  1/2 Ton  3/4 Ton

ADDRESS CHANGE REQUEST  Please change as noted  
 Remove from mailing list

Name \_\_\_\_\_  
New Address \_\_\_\_\_

Street Address \_\_\_\_\_  
City \_\_\_\_\_ State \_\_\_\_\_ Zip \_\_\_\_\_  
Old Address \_\_\_\_\_

Street Address \_\_\_\_\_  
City \_\_\_\_\_ State \_\_\_\_\_ Zip \_\_\_\_\_